



SPi®12

Product
Specifications



SPi®12

The SPi 12 features the Peavey Quadratic Throat Waveguide with an RX™ 22CT compression driver loaded onto the constant directivity waveguide. The SPi 12 is a two-way speaker system comprised of the 12” Black Widow® BWX series woofer, with a long throw voice coil.

The SPi 12 has a trapezoidal-shaped enclosure, which reduces the buildup of standing waves inside the enclosure to minimize mid-bass and mid-range coloration. The enclosure is constructed of plywood augmented with internal braces, coated with a textured black polyurethane finish. A full-length, wrap-around perforated steel grille protects the front of the enclosure. A stand-mount adapter is incorporated to accommodate a speaker stand. Multiple fly points are provided to allow overhead rigging.

The two-way system consists of the following driver components: a 12” Black Widow® BWX series woofer with a long throw voice coil. The woofer is capable of over 500 Watts of continuous power handling (AES Std 2-1984). The high frequencies are handled by a 2” RX™22CT titanium diaphragm compression driver. This excellent driver is coupled to a Peavey Quadratic Throat Constant Directivity Waveguide (U.S. Patent #6,059,069) to provide smooth, even response, low distortion and good high frequency dispersion. This horn has an asymmetrical vertical polar response, aiming the main energy lobe down 10 degrees so it reaches the audience instead of over their heads. This reduces ceiling reflections and ensures greater clarity and gain before feedback.

Full-range input connection to the system is made via two 1/4” phone jacks and one four-pin twist lock connector in parallel. A four-pin Neutrik® switching jack is provided for bi-amping flexibility while maintaining superior signal integrity. The internal passive crossover features the Peavey-exclusive Sound Guard protection circuit for the tweeter and an advanced topology crossover with high-performance components to provide high power handling and reliability. Sound Guard provides long- and medium-term driver overload protection without impairing musical transients or dynamics on either the mid-range or the tweeter when the system is used full range or when it is bi-amped.

The crossover provides driver roll-off and protection as well as driver EQ for the woofer and horn for a clean, clear and smooth response. High-quality, reliable crossover components include film capacitors and high-current inductors. The optimal integration of the crossover with the selected drivers results in a smooth frequency response from 70 Hz to 17 kHz.

Despite its compact dimensions, this system can produce very high sound levels and handle 1000 watts program power, resulting in high articulation and long-term reliability.

FEATURES:

- Two-way, full-range/bi-ampable Sound Reinforcement system
- 12” BWX Black Widow® 4” diameter VC woofer
- RX™22CT compression driver
- 1000 watts program, 2000 watts peak
- Patented Quadratic Throat Waveguide™ technology
- Asymmetrical horn aims the sound down 10° (at the audience, not over their heads)
- Sound Guard™ III tweeter protection
- Full-range inputs include one four-pin twist lock connector and two 1/4” phone jacks
- Bi-amp input via four-pin switching Neutrik® Speakon®
- Trapezoidal plywood enclosure.
- Stand-mount adapter
- Multiple fly points
- Very small profile for a 12” two-way speaker system



Flying/Rigging Information

Caution: Before attempting to suspend this speaker, consult a certified structural engineer. Speaker can fall from improper suspension, resulting in serious injury and property damage. Do not suspend or mount any other product or device from this enclosure! Maximum enclosure angle 30°. Use only the correct mating hardware. All associated rigging is the responsibility of others.

Hardware for Flying/Rigging the SPi®-12

Eyebolts or bracket bolts should be M8 metric thread. Eyebolts and bracket bolts must conform to certain minimum strength criteria for safety reasons. Unspecified eyebolts found at local hardware stores are not strong enough to maintain safety for overhead flying or rigging. Use only forged steel shoulder machinery eyebolts designed for rigging use, which adhere to the stated standards as outlined below.

This Peavey loudspeaker should be suspended overhead only in accordance with the procedures and limitations specified in the User's Manual and possible manual update notices. This system should be suspended with certified rigging hardware by an authorized rigging professional and in compliance with local, state and federal suspension ordinances.

Hardware Specifications

Forged shoulder machinery eyebolts should be an M8 size, 1.25 mm per thread, and must conform to DIN 580 or ASTM A489, for Germany, BGV-C1 is the relevant standard. Minimum shank length should be 26 mm. The eyebolts should be rated for a minimum of 1,000 lbs straight pull working load.

Bolts used on custom mounting brackets must be certified to be a metric grade 8.8 or better.

If there are any questions regarding the proper hardware or practices for safe flying or rigging of the Peavey SPi®12, contact a certified structural engineer, or consult with those local rigging companies who have trained and certified personnel.

Architectural & Engineering Specifications

The loudspeaker system shall have an operating bandwidth of 71 Hz to 17 kHz. The nominal output level shall be 95.0 dB when measured at a distance of 1 meter with an input of 1 watt. The nominal impedance shall be 8.0 ohms. The maximum continuous power handling shall be 500 watts, with maximum program power of 1,000 watts, peak power input of at least 2,000 watts and a minimum amplifier headroom of 3 dB. The nominal radiation geometry shall be 100 degrees symmetrical about the center axis in the horizontal plane, and +15, -35 degrees about the center axis in the vertical plane.

Fly point inserts shall be provided, 12 per cabinet, at the following locations: 3 top, 3 bottom and 2 each side & 1 each top rear and bottom rear. The outside dimensions shall be 25.06 inches high by 15 inches wide by 15.25 inches deep. The weight shall be 50 lbs. The loudspeaker system shall be a Peavey model SPi®12.

Frequency Response, 1 meter on-axis, swept-sine in anechoic environment:

71 Hz to 17 kHz (± 3 dB)

Usable Low Frequency limit (-10 dB point):

56 Hz

Power Handling:

Full Range: 500 W continuous, 1,000 W program, 2,000 W peak

Low Frequency Section: 500 W continuous, 1,000 W program, 2,000 W peak

High Frequency Section: 50 W continuous, 100 W program, 200 W peak

Sound Pressure Level, 1 Watt, 1 meter in anechoic environment:

Full Range: 95 dB SPL, (2.83 V input)

Low Frequency Section: 96 dB SPL, (2.83 V input)

High Frequency Section: 105 dB SPL, (2.83 V input)

Maximum Sound Pressure Level (1 meter):

Full Range: 122 dB SPL continuous, 128 dB SPL peak

Low Frequency Section: 123 dB SPL continuous, 129 dB SPL peak

High Frequency Section: 125 dB SPL continuous, 131 dB SPL peak

Radiation Angle measured at -6 dB point of polar response:

100 deg. Horizontal by 50 deg. Vertical

The vertical main polar lobe is angled down 10 degrees with respect to straight ahead, the vertical coverage angles being +15. -35 deg.

Transducer Complement:

Low Frequency Section: 1 X 12" woofer, vented; Black Widow® 1208-8 SPS

High Frequency Section: 1 X 1.0" exit, 50 mm voice coil

RX22CT compression driver on asymmetrical Quadratic Throat CD Horn

Box Tuning Frequency:

Low Frequency Section: 65 Hz

Electroacoustic Crossover Frequency (internal passive):

Low Frequency - High Frequency: 2.6 kHz

Recommended Active Crossover Frequency Region and Slope:

Low Frequency - High Frequency: 2.0 kHz at 24 dB/octave LR

Time Offset:

Low Frequency: 0.0 ms

High Frequency: 0.40 ms

Impedance (Z):

Full Range:

Nominal: 8.0 Ω

Minimum: 6.0 Ω

Low Frequency:

Nominal: 8.0 Ω

Minimum: 6.0 Ω

High Frequency:

Nominal: 8.0 Ω

Minimum: 7.9 Ω

Input Connections:

Full range: two 1/4" phone jacks, one four-pin, twist lock connector & one Neutrik NL4 Speakon switching jack (bi-amp only)

Enclosure Materials & Finish:

Plywood coated with a textured black polyurethane finish. Full length black powder coated metal grille.

Mounting provisions:

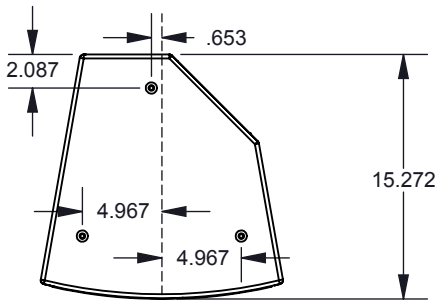
M8 Threaded Mounting Suspension Points (3 top, 3 bottom and 2 each side & 1 each top rear and bottom rear).

Built-in stand-mount adapter and four large rubber feet on bottom for floor use.

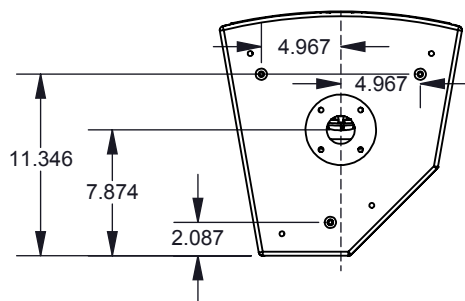
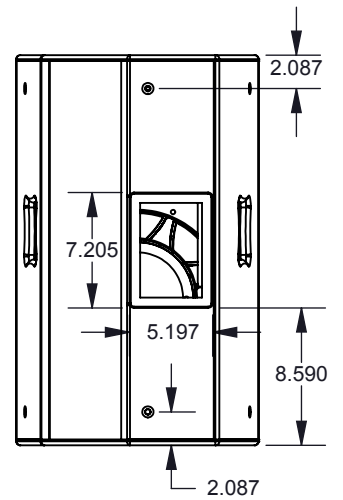
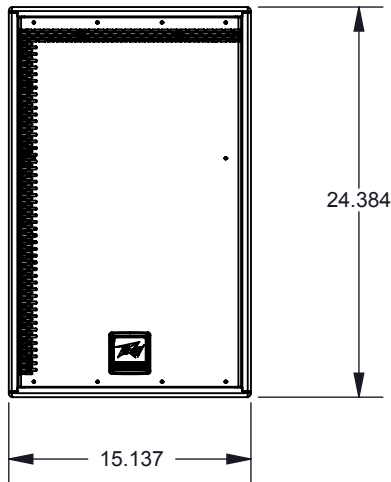
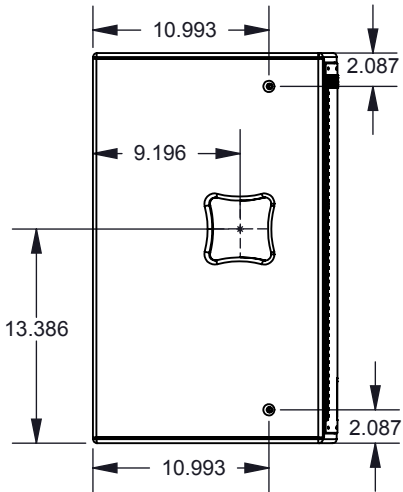
Dimensions (H x W x D):
25.06 in. x 15.00 in. x 15.25 in.
636.5 mm x 381 mm x 387.4 mm

Net Weight:
50 Lbs. (22.7 kg)

*specifications and features subject to change without notice



SPI 12





www.peavey.com

Warranty registration and information for U.S. customers available online at
www.peavey.com/warranty
or use the QR tag below



Features and specifications subject to change without notice.

Peavey Electronics Corporation 5022 Hartley Peavey Drive Meridian, MS 39305 (601) 483-5365 FAX (601) 486-1278



Logo referenced in Directive 2002/96/EC Annex IV
(OJ(L)37/38, 13.02.03 and defined in EN 50419: 2005
The bar is the symbol for marking of new waste and
is applied only to equipment manufactured after
13 August 2005