



PVM™ 45

Unidirectional Dynamic Microphone

HandCrafted in the USA

DESCRIPTION & APPLICATIONS

The PVM™ 45 is a slim unidirectional dynamic microphone with a hypercardioid polar pattern. It incorporates an internal "pop" filter to alleviate plosive effects, and a superior shock mounting system to reduce handling noises. A hum compensation coil controls noise from external fields (generated by fluorescent lights and electronics). An external foam windscreen is included to further reduce extraneous noises.

The PVM™ 45 is designed for indoor and outdoor sound reinforcement and is particularly effective for instruments. The microphone's probe-style shape fits into tight spaces such as those encountered when miking drums, saxophone or piano. However, the PVM-45's high directivity is often very useful for vocal applications as well. The PVM-45 is rugged and field serviceable and its flight-type carrying case (included) protects it from damage during transportation.

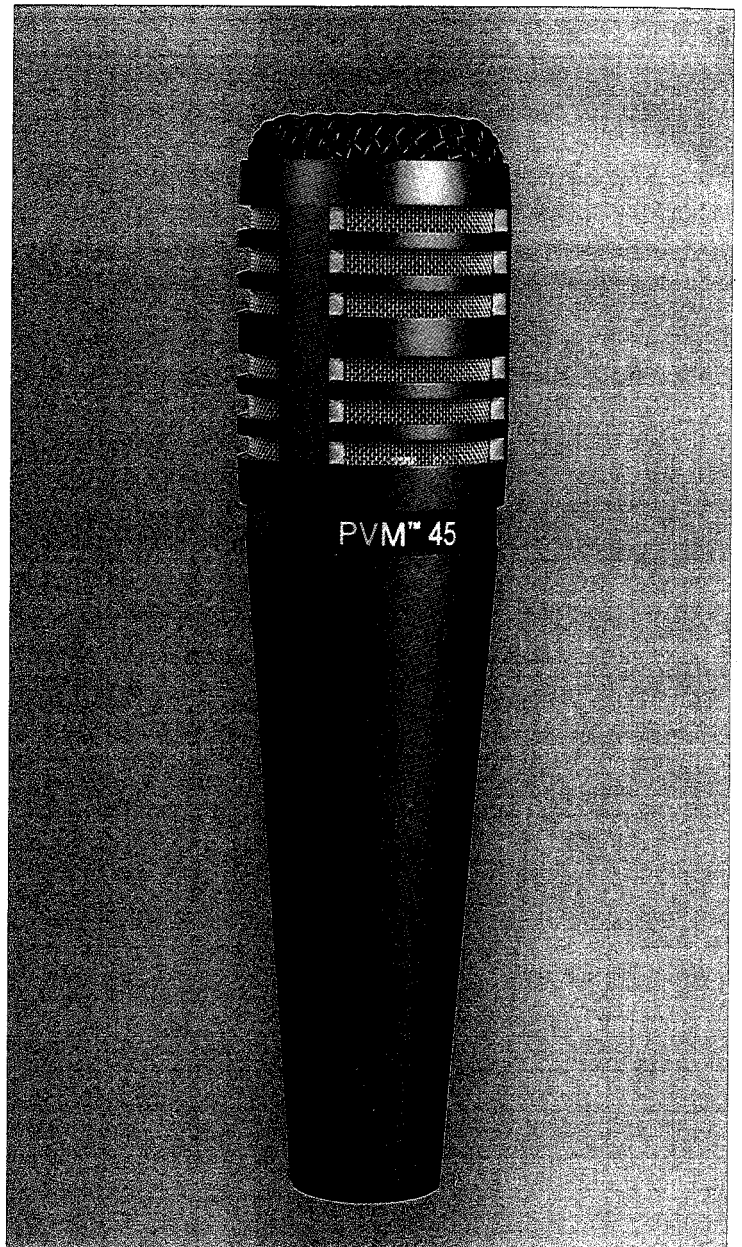
FEATURES:

- Highly directional hypercardioid polar pattern rejects off-axis sounds minimizing feedback without sacrificing sensitivity.
- Improved shock mounting lowers handling noise and "mic stand rumble".
- Clean, controlled sound. Effective for instruments and vocals.
- Hum compensation coil counter balances noise induced by external sources (fluorescent lights, electronics).
- Ruggedly constructed and field serviceable for road use. Durable brazed metal screen.
- Furnished accessories include external foam windscreen, swivel adaptor, sturdy "flight-type" carrying case and 25 foot balanced cable.

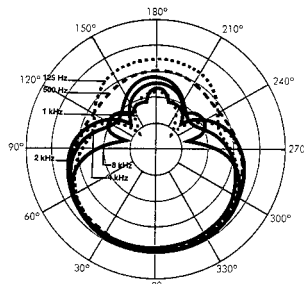
SPECIFICATIONS

Element Type	Dynamic (with Hum Compensation Coil)
Polar Pattern	Hypercardioid
Impedance	Low (300 Ohms +/-20%)
Frequency Response	40 to 16,000 Hz
Sensitivity	Output Power Level -56 dB (0 dB = 1mW/10 microbar*) Open Circuit Voltage -75.5 dB (0 dB = 1V/microbar*)
Hum Induction	Equivalent to 9.0 dB SPL (Hum output of microphone in a 1 millioersted hum field is equal to its output from a 9.0 dB SPL acoustic source)
Case (Housing)	Slate grey die-cast zine alloy
Windscreen	Brazed steel mesh with integral foam pop filter
Connector	3-pin XLR
Weight	7 oz.
Furnished Accessories	Carrying case, swivel adaptor, foam windscreen, 25' (7.62 m) balanced low impedance cable with 3-pin XLR equivalent audio connectors

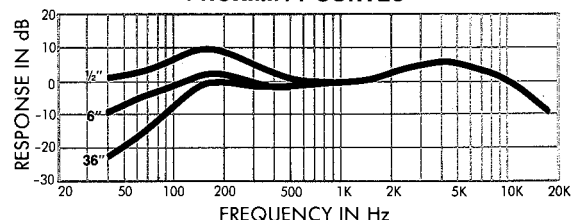
*10 microbars = 1 pascal = 10 dynes/cm²



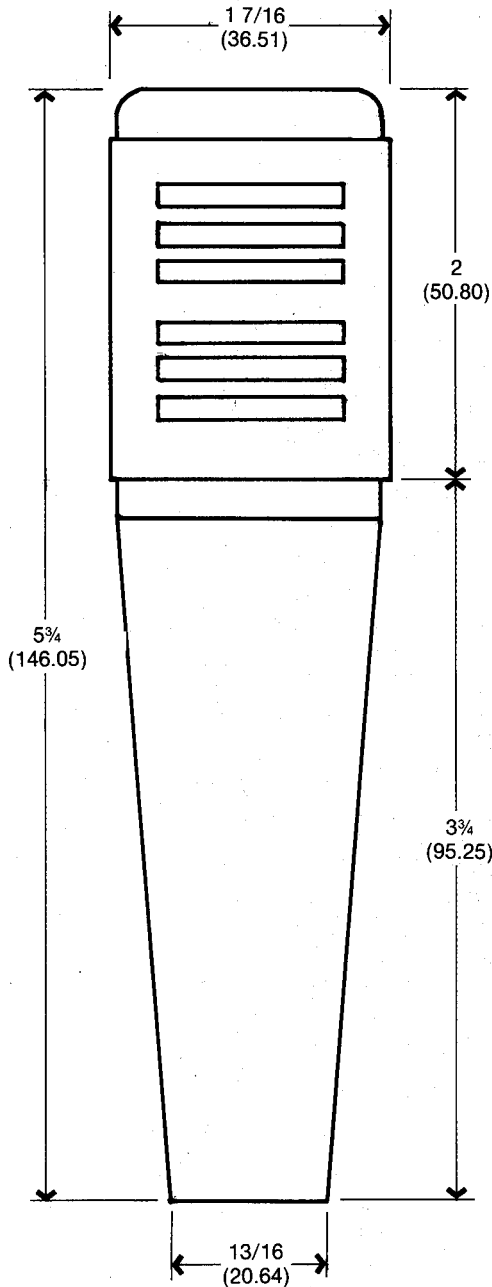
POLAR PATTERN



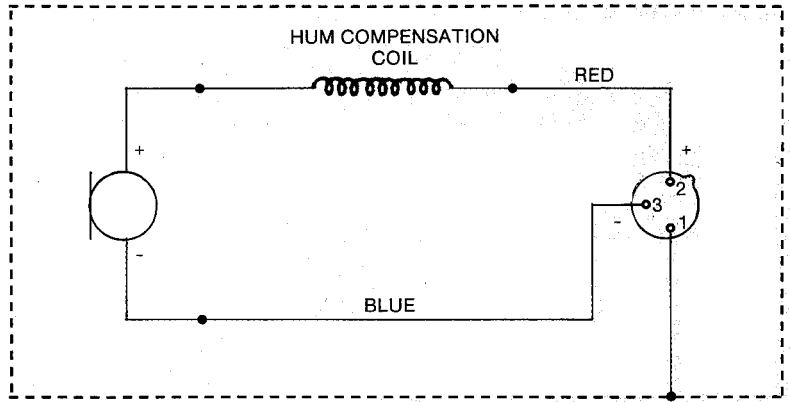
FREQUENCY RESPONSE AND PROXIMITY CURVES



DIMENSIONS
INCHES
(MILLIMETERS)



WIRING DIAGRAM

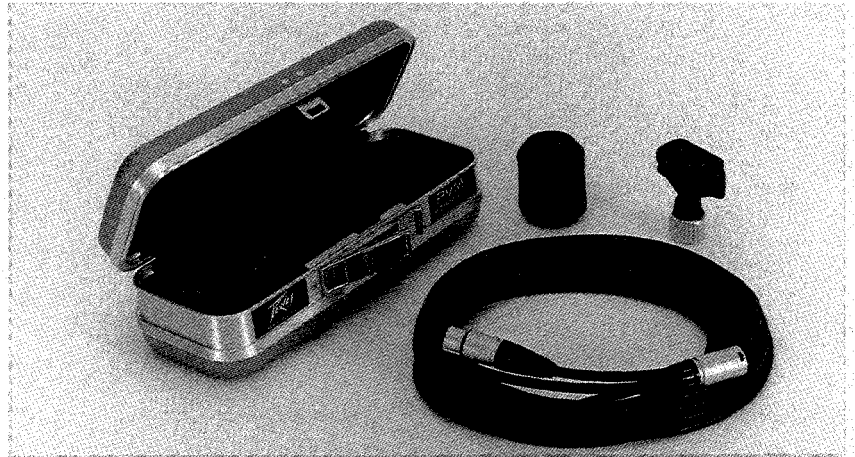


POSITIVE (INWARD) PRESSURE ON DIAPHRAGM
PRODUCES POSITIVE VOLTAGE AT PIN #2

ARCHITECTURAL & ENGINEERING SPECIFICATIONS

The microphone shall be a moving coil dynamic type with a frequency response of 40 Hz to 16,000 Hz. The microphone shall have a hypercardioid polar characteristic with a rear response that is down 20 dB (120° to 150° off axis). The microphone shall have an output power level of -56.0 dBm where 0 dB = 1 milliwatt per 10 microbar and nominal impedance rating of 300 Ohms.

The microphone shall be a probe style unit with non-reflecting slate grey paint on a die-cast zinc alloy case. The connector shall be a 3-pin XLR equivalent audio type and a swivel adaptor shall be provided to mount on a stand having 5/8" 27 thread. The microphone shall have overall dimensions of 5 3/4" in length and 1 7/16" in diameter. The microphone shall be a Peavey model PVM™ 45 or equivalent.



ACCESSORIES

Durable Flite-type carrying case, swivel adaptor, foam windscreen, and 25' (7.62m) balanced low impedance cable with 3-pin XLR equivalent audio connectors.



HandCrafted in the USA