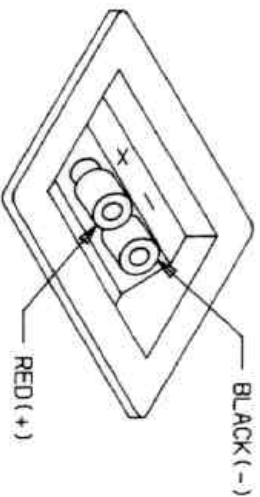
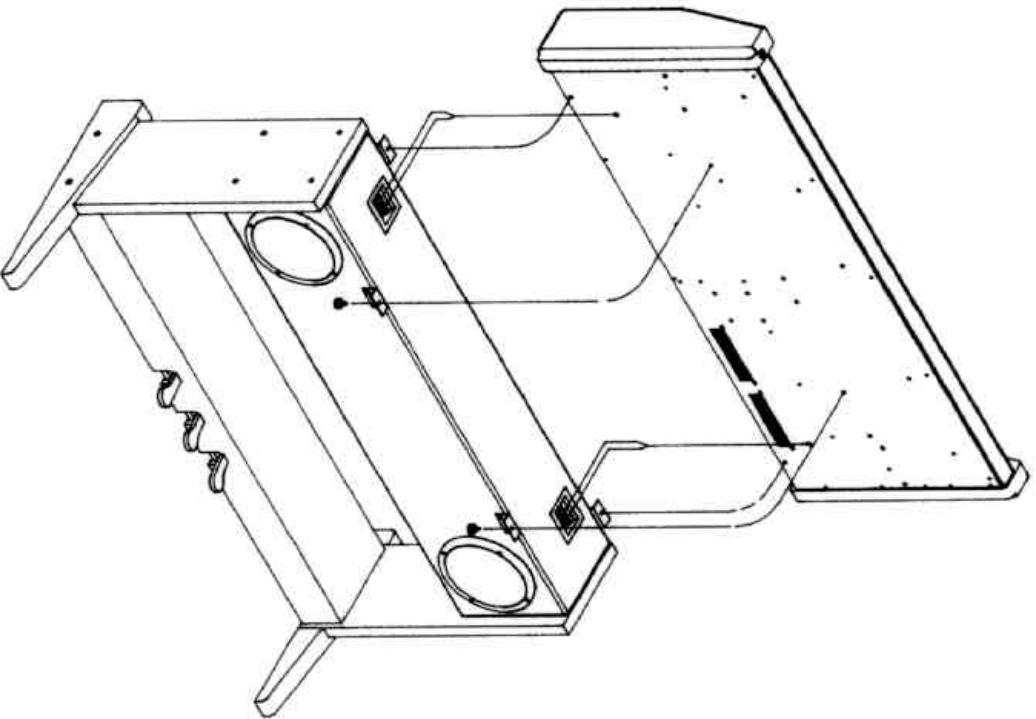
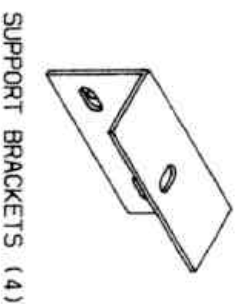


# Millennium DK-40 Keyboard/Stand Assembly Instructions



SCREW TERMINALS



SUPPORT BRACKETS (4)



CLAMP KNOB (4)

To securely attach the keyboard to the stand, please follow these instructions and refer to the drawing at left.

1. Attach the red (+) speaker wires extending out of the bottom of the keyboard to the red (+) screw terminals on the stand, and attach the black (-) speaker wires extending out of the bottom of the keyboard to the black (-) screw terminals on the stand.
2. Position the keyboard on the stand by aligning the support brackets on the stand with the appropriate holes in the bottom of the keyboard as indicated.
3. Align the clamp knobs through the slots in the support brackets and screw the clamp knobs into the corresponding threaded inserts in the bottom of the keyboard.
4. Hand tighten the clamp knobs. **DO NOT OVERTIGHTEN.**

Features and specifications subject to change without notice.

**PEAVEY®**

©1996

Peavey Electronics Corporation 711 A Street / Meridian, MS 39301 / U.S.A. / (601) 483-5365 / Fax 486-1278

#90300315

Printed in U.S.A. 2/96

