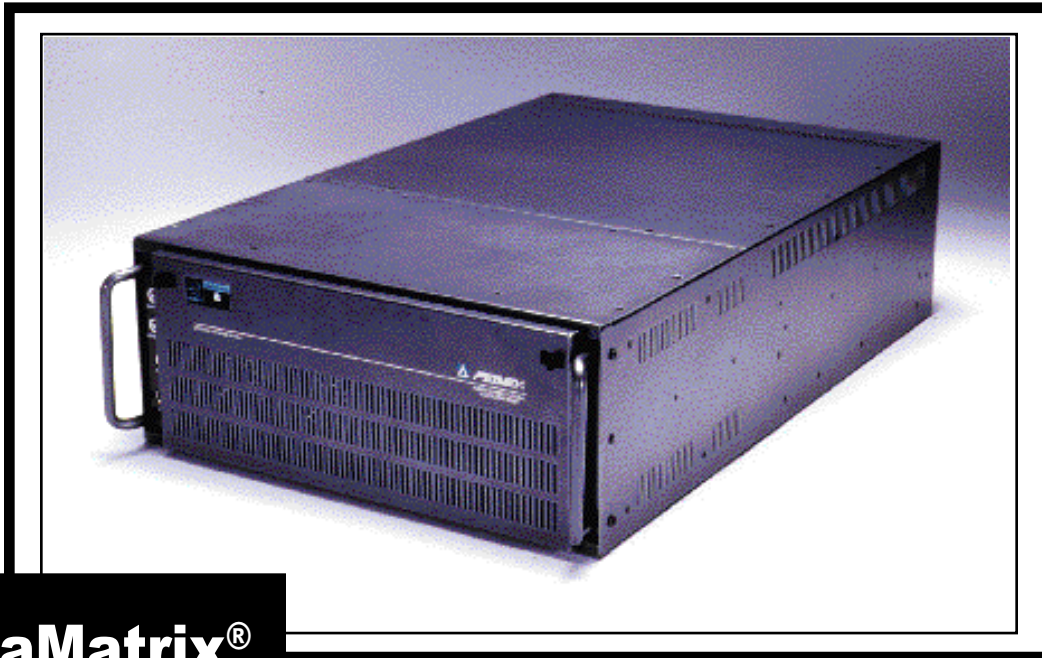


# SPECIFICATIONS



## MediaMatrix® 900 Series Mainframe

### SPECIFICATIONS

#### SYSTEM CONTROLLER CARD:

**Processor:**

Pentium® 100 MHz (MM-940)  
Pentium® 133 MHz (MM-950)  
(equivalent or greater)

**Cache:**

256K

**Memory:**

16 MB RAM (MM-940)  
32 MB RAM (MM-950)

**Drives:**

3.5" FDD  
1.2 GB HDD, removable  
Dual, removable mirrored RAID-1 IDE  
HDD (MM-950 only)

**SYSTEM CONTROLS:**

Front Door Lock  
Keyboard Lock  
Power Switches  
Reset, Aux, and Power LEDs  
Power & Power Fail LEDs and audible  
tone for each power supply

**Video:**

1024 x 768 256-Color with 70Hz  
Refresh Rate  
PCI VIDEO

#### DIGITAL AUDIO PROCESSING CARD:

**Processor:**

Four Motorola® 56002 DSPs  
(each card)

**Digital Audio Bus:**

256 Digital Audio Channels

**CARD I/O: (Via MM™-8848,  
MM™-8840 or MM™-8830)**

32 Inputs  
32 Outputs

**AIRFLOW:**

Positive airflow system for card slots

**BACKPLANE:**

1 ISA and one PCI expansion slots  
available (with 8 DPU cards  
installed)

**PHYSICAL CHARACTERISTICS:****Enclosure Dimensions:**

Height: 6.97 inches  
Width: 17 inches  
Length: 26 inches  
(30 - inch - deep rack required)

**Front Panel:**

Height: 7.0 inches  
Width: 19 inches

**Weight:**

79 lbs.

**POWER SUPPLY:**

Two (2) 400 watt,  
redundant, removable, load-sharing,  
front accessible power supplies  
Complies with UL/CSA/VDE/CE

**Input Voltage:**

110-220 VAC switchable

**Input Frequency:**

50-60 Hz

**OPERATING SYSTEM:**

DOS, Windows® for System Controller  
card  
MWare™ for Digital Audio Processing  
card (in Windows® environment)

**AUDIO DEVICES:**

Automatic Mixers from 2-32 channels  
MM-8800 Series Control  
Externally controllable levels, switches,  
and routers  
Crossovers: 2-way, 3-way, and 4-way  
slopes from 6 to 48 dB per octave in  
6 dB steps  
Delay Lines of various delay lengths  
and number of taps  
Distribution Amplifiers from 2 to 16  
outputs  
Automatic Gain Control  
Compressor/Limiter  
Ducker  
Expander  
Noise Gate  
1/3 octave graphic equalizer  
2/3 octave graphic equalizer  
1 octave graphic equalizer  
Parametric Equalizers from 1 to 32  
band  
High Pass Filter  
Low Pass Filter  
All Pass Filter  
High Shelf Filter  
Low Shelf Filter  
Tone Control  
Inputs  
Level

Level with Trim  
 Overload Indicator  
 Signal Present Indicator  
 Peak Meter  
 R.M.S. Meter  
 Mixers in various configurations from 2 to 64 inputs, from 1 to 16 buses  
 Output  
 Label  
 Block  
 Presets  
 Routers from 1x1 to 32x32  
 Pink Noise Generator  
 Probe  
 Sine Generator  
 White Noise Generator  
 Additionally, new devices may be created and stored by the operator.

## FEATURES

- Up to 8 DPU
- Up to 256 inputs and outputs
- Over 40 audio devices available
- Standard 19" NEMA rack-mount enclosure
- Two (2) 400 Watt, removable, load-sharing, front accessible power supplies
- Lockable front control panel
- Mouse and keyboard port on front and back
- Two (2) switches for keyboard lock and front door lock
- 1.2 GB HDD
- 3.5" FDD
- Rugged, American-made steel construction
- Positive airflow systems for card slots
- Front panel removable 3.5" RAID-1, hard drives (MM-950 ONLY)
- 1024 x 768 256-Color @ 70Hz Refresh rate

## DESCRIPTION

The MediaMatrix® 900 Series Mainframe is the heart of an unprecedented digital audio system. The system is based on an open architecture that utilizes a system controller card and one or more digital processing cards employing four (4) Motorola 56002 DSP chips. When attached to the MM™-8830, MM™-8840 or MM™-8848 Digital Interface, it provides 8 inputs and 8 outputs. The maximum system capacity is 256 total inputs and outputs. The MediaMatrix MWare™ operating software provides the user/designer the ability to design, wire (in the soft domain), and troubleshoot a complete digital audio system. The user can then control all the parameters of the system or create custom panels, or even devices, to provide solutions not previously available.

The MWare operating software provides system diagnostics, system design, audio devices, and DSP compiling features, which run under the familiar Windows™ environment.

## ARCHITECTURAL & ENGINEERING SPECIFICATIONS

The audio processing shall be in the digital domain following the input source and shall remain until power amplification is required. The audio processing system shall be able to provide a list of audio devices, which may be chosen and configured into the system at any time, from a device menu running under the familiar Windows™ environment.

The list shall include, but not be limited to, Automatic Mixers from 2 to 32 channels; Digital Interface controls; externally controllable levels, switches, and routers; Crossovers: 2-way, 3-way, and 4-way slopes configurable from 6 to 48 dB per octave in 6 dB steps; Delay lines of various delay lengths and number of taps; Distribution amplifiers from 2 to 16 outputs; Automatic Gain Control; Compressor/Limiter; Ducker; Expander; Noise Gate; 1/3 octave graphic equalizer; 2/3 octave graphic equalizer; 1 octave graphic equalizer; Parametric Equalizers from 1 to 32 band; High Pass Filter; Low Pass Filter; All Pass Filter; High Shelf Filter; Low Shelf Filter; Tone Control; Inputs; Level; Level with Trim; Overload Indicator; Signal Present Indicator; Peak Meter; R.M.S. Meter; Mixers in various configurations from 2 to 64 inputs, from 1 to 16 buses; Output; Label; Block; Presets; Routers from 1x1 to 32x32; Pink Noise Generator; Probe; Sine Generator; White Noise Generator; and the ability to create and store new devices as required.

The hardware shall consist of one (1) system controller card and one or more digital audio processing cards with four (4) Motorola 56002 DSP chips. The system shall have diagnostics software available for troubleshooting system hardware. The system shall have a minimum of two (2) 400 Watt, redundant, removable, load-sharing, front accessible power supplies. The system shall be a MediaMatrix® 900 Series Mainframe.

Pentium® is a registered trademark of Intel  
 Windows™ is a trademark of Microsoft Corporation  
 Motorola® is a registered trademark of Motorola, Inc.

## LIMITED WARRANTY

Peavey Electronics Corporation warrants to the original purchaser of this new Architectural Acoustics product that it is free from defects in material and workmanship. If within one (1) year from date of purchase a properly installed product proves to be defective and Peavey is notified, Peavey will repair or replace it at no charge. (Note: Batteries and patch cords not covered.) "Original purchaser" means the customer for whom the product is originally installed.

Damage resulting from improper installation, interconnection of a unit or system of another manufacturer, accident or unreasonable use, neglect or any other cause not arising from defects in material and workmanship is not covered by this warranty. The warranty is valid only as to products purchased and installed in the United States and Canada.

THIS LIMITED WARRANTY IS IN LIEU OF ANY AND ALL WARRANTIES, EXPRESSED OR IMPLIED, INCLUDING THE IMPLIED WARRANTIES OF MERCHANTABILITY AND FITNESS FOR A PARTICULAR USE. UNDER NO CIRCUMSTANCES WILL PEAVEY BE LIABLE FOR ANY LOST PROFITS, LOST SAVINGS, INCIDENTAL DAMAGES OR CONSEQUENTIAL DAMAGES ARISING OUT OF THE USE OR INABILITY TO USE THE PRODUCT, EVEN IF PEAVEY HAS BEEN ADVISED OF THE POSSIBILITY OF SUCH DAMAGE. THIS LIMITED WARRANTY IS THE ONLY EXPRESSED WARRANTY ON THIS PRODUCT, AND NO OTHER STATEMENT, REPRESENTATION, WARRANTY, OR AGREEMENT BY ANY PERSON SHALL BE VALID OR BINDING UPON PEAVEY.

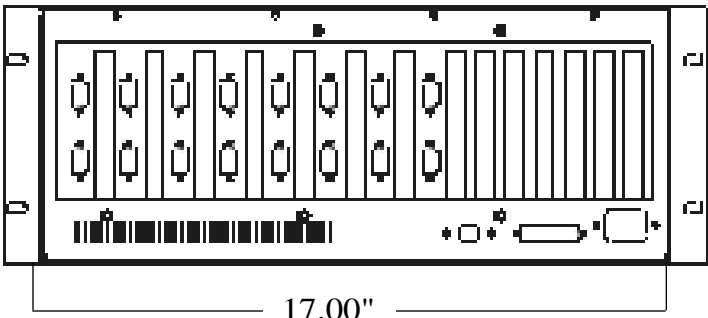
Peavey's liability to the original purchaser for damages for any cause whatsoever and regardless of the form of action is limited to the actual damages up to the greater of Five Hundred Dollars (\$500) or an amount equal to the purchase price of the product that caused the damage or that is the subject of or is directly related to the cause of action. This limitation of liability will not apply to claims for personal injury or damage to real property or tangible personal property allegedly caused by Peavey's negligence. For information on service under this warranty, call a Peavey customer service representative at (601) 483-5376.



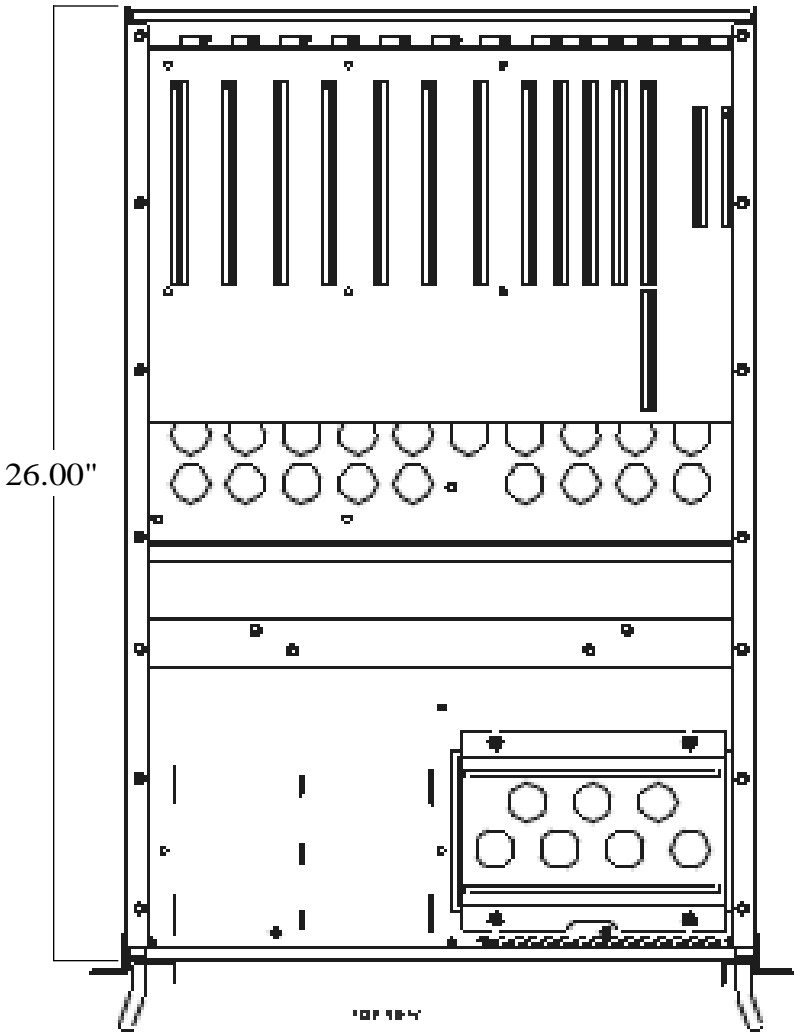
Features and specifications subject to change without notice.

A Division of Peavey Electronics Corporation  
 711 A Street / Meridian, MS 39301 / U.S.A. / (601) 483-5376 / Fax 486-1154

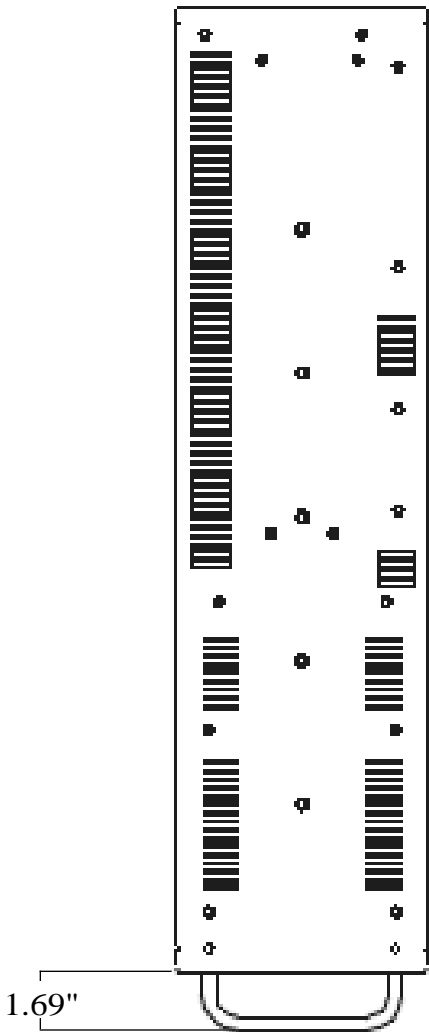
# MediaMatrix<sup>®</sup> MM<sup>™</sup>-940 Mainframe



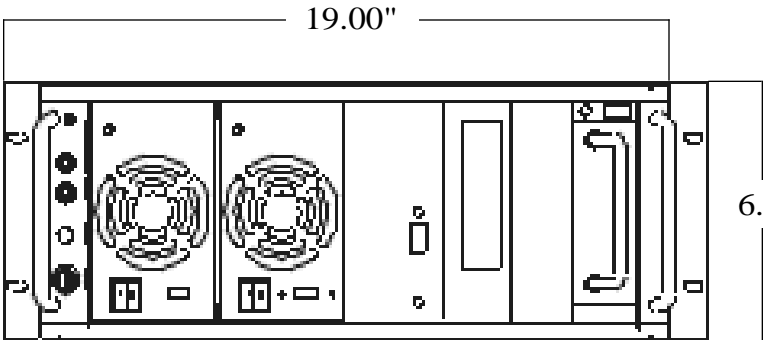
REF 18-4



REF 18-4



REF 18-4



6.97"

REF 18-4

REF 18-4

# MediaMatrix® MM™-950 Mainframe

