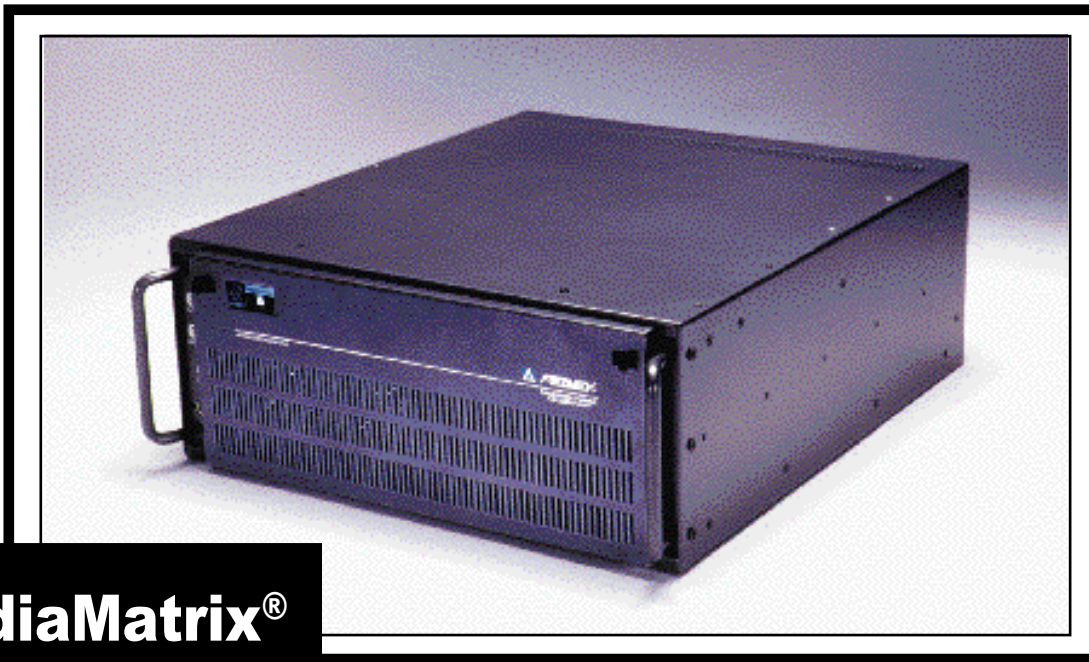


SPECIFICATIONS



MediaMatrix® MM™-740 Mainframe

SPECIFICATIONS

SYSTEM CONTROLLER CARD:

Processor:

80486 DX4 100 MHz
(equivalent or greater)

Cache:

256K

Memory:

16 MB RAM

Drives:

3.5" FDD
1.2 GB HDD

SYSTEM CONTROLS:

Keyboard Lock
Reset, Power Switches
HDD and Power LEDs

Video:

1024 x 768 256-Color Video
with 70Hz Refresh Rate

DIGITAL AUDIO PROCESSING CARD:

Processor:

Four (4) Motorola® 56002 DSPs
(each card)

Digital Audio Bus:

256 Digital Audio Channels

**CARD I/O: (Via MM™-8830,
MM™-8840 or MM™-8848)**

32 Inputs
32 Outputs

FILTERED AIR SYSTEM:

Air movement is 168 CFM
(Cubic Feet Per Minute)
Fan Size: 4.69" x 4.69" x 1"

BACKPLANE:

14 slot ISA passive (10 available for
expansion) Each DPU card takes two
ISA slots.

PHYSICAL**CHARACTERISTICS:****Enclosure Dimensions:**

Height: 6.7 inches
Width: 17 inches
Length: 18.5 inches

Front Panel:

Height: 7 inches
Width: 19 inches

Weight:

56 lbs.

POWER SUPPLY:

300 Watt, Four Output
Maximum Current
Complies with UL/CSA/VDE

Input Voltage:

110-220 V AC

Input Frequency:

50-60 Hz

OPERATING SYSTEM:

DOS, Windows™ for System Controller
Card
MWare™ for Digital Audio Processing
Card (In Windows™ Environment)

AUDIO DEVICES:

Automatic Mixers from 2-32 channels
MM-8800 Series Control
Externally controllable levels, switches,
and routers
Crossovers: 2-way, 3-way, and 4-way
slopes from 6 to 48 dB per octave in
6 dB steps
Delay Lines of various delay lengths
and number of taps
Distribution Amplifiers from 2 to 16
outputs
Automatic Gain Control
Compressor/Limiter
Ducker
Expander
Noise Gate
1/3 octave graphic equalizer
2/3 octave graphic equalizer
1 octave graphic equalizer
Parametric Equalizers from 1 to 32
band
High Pass Filter
Low Pass Filter
All Pass Filter
High Shelf Filter
Low Shelf Filter
Tone Control
Inputs
Level
Level with Trim
Overload Indicator
Signal Present Indicator
Peak Meter

R.M.S. Meter
Mixers in various configurations from 2 to 64 inputs, from 1 to 16 buses
Output
Label
Block
Presets
Routers from 1x1 to 32x32
Pink Noise Generator
Probe
Sine Generator
White Noise Generator
Additionally, new devices may be created and stored by the operator

FEATURES

- Up to four additional DPU cards can be added
- Up to 160 inputs and outputs
- Over 40 audio devices available
- Standard 19" NEMA rack-mount enclosure
- 300 watt, 4 output power supply
- Lockable front control panel
- Mouse and Keyboard ports on both front and back
- Internal air filtering system
- Two 12 V fans and four replaceable air filters
- Heavy-duty construction
- Three switches for keyboard lock, reset, and front door lock.
- 1.2 GB HDD
- 3.5" FDD

DESCRIPTION

The MediaMatrix® MM™-740 Mainframe is the heart of an unprecedented digital audio system. The system is based on an open

architecture that utilizes a system controller and digital processing unit (DPU) card and can be expanded with one or more DPU cards employing four (4) Motorola 56002 DSP chips. When attached to the MM™-8830, MM™-8840 or MM™-8848 Digital Interface, it provides 8 inputs and 8 outputs. The maximum system capacity is 128 total inputs and outputs. The MediaMatrix MWare™ operating software provides the user/designer the ability to design, wire (in the soft domain), and troubleshoot a complete digital audio system. The user can then control all the parameters of the system or create custom panels, or even devices, to provide solutions not previously available.

The MWare™ operating software provides system diagnostics, system design, audio devices, and DSP compiling features, which run under the familiar Windows™ environment.

ARCHITECTURAL & ENGINEERING SPECIFICATIONS

The audio processing shall be in the digital domain following the input source and shall remain until power amplification is required. The audio processing system shall be able to provide a list of audio devices, which may be chosen and configured into the system at any time, from a device menu running under the familiar Windows® environment. The list shall include, but

not be limited to, Automatic Mixers from 2 to 32 channels; Digital Interface controls; externally controllable levels, switches, and routers; Crossovers: 2-way, 3-way, and 4-way slopes configurable from 6 to 48 dB per octave in 6 dB steps; Delay lines of various delay lengths and number of taps; Distribution amplifiers from 2 to 16 outputs; Automatic Gain Control; Compressor/Limiter; Ducker; Expander; Noise Gate; 1/3 Octave graphic equalizer; 2/3 octave graphic equalizer; 1 octave graphic equalizer; Parametric Equalizers from 1 to 32 band; High Pass Filter; Low Pass Filter; All Pass Filter; High Shelf Filter; Low Shelf Filter; Tone Control; Inputs; Level; Level with Trim; Overload Indicator; Signal Present Indicator; Peak Meter; R.M.S. Meter; Mixers in various configurations from 2 to 64 inputs, from 1 to 16 buses; Output; Label; Block; Presets; Routers from 1x1 to 32x32; Pink Noise Generator; Probe; Sine Generator; White Noise Generator; and the ability to create and store new devices as required.

The hardware shall consist of one system controller card and one or more digital audio processing cards with four (4) Motorola 56002 DSP chips. The system shall have diagnostics software available for troubleshooting system hardware. The system shall have a minimum of a 300 Watt power supply. The system shall be a MediaMatrix® MM™-740 Series Mainframe.

Windows™ is a trademark of Microsoft Corporation
Motorola® is a registered trademark of Motorola, Inc.

LIMITED WARRANTY

Peavey Electronics Corporation warrants to the original purchaser of this new Architectural Acoustics product that it is free from defects in material and workmanship. If within one (1) year from date of purchase a properly installed product proves to be defective and Peavey is notified, Peavey will repair or replace it at no charge. (Note: Batteries and patch cords not covered.) "Original purchaser" means the customer for whom the product is originally installed.

Damage resulting from improper installation, interconnection of a unit or system of another manufacturer, accident or unreasonable use, neglect or any other cause not arising from defects in material and workmanship is not covered by this warranty. The warranty is valid only as to products purchased and installed in the United States and Canada.

THIS LIMITED WARRANTY IS IN LIEU OF ANY AND ALL WARRANTIES, EXPRESSED OR IMPLIED, INCLUDING THE IMPLIED WARRANTIES OF MERCHANTABILITY AND FITNESS FOR A PARTICULAR USE. UNDER NO CIRCUMSTANCES WILL PEAVEY BE LIABLE FOR ANY LOST PROFITS, LOST SAVINGS, INCIDENTAL DAMAGES OR CONSEQUENTIAL DAMAGES ARISING OUT OF THE USE OR INABILITY TO USE THE PRODUCT, EVEN IF PEAVEY HAS BEEN ADVISED OF THE POSSIBILITY OF SUCH DAMAGE. THIS LIMITED WARRANTY IS THE ONLY EXPRESSED WARRANTY ON THIS PRODUCT, AND NO OTHER STATEMENT, REPRESENTATION, WARRANTY, OR AGREEMENT BY ANY PERSON SHALL BE VALID OR BINDING UPON PEAVEY.

Peavey's liability to the original purchaser for damages for any cause whatsoever and regardless of the form of action is limited to the actual damages up to the greater of Five Hundred Dollars (\$500) or an amount equal to the purchase price of the product that caused the damage or that is the subject of or is directly related to the cause of action. This limitation of liability will not apply to claims for personal injury or damage to real property or tangible personal property allegedly caused by Peavey's negligence. For information on service under this warranty, call a Peavey customer service representative at (601) 483-5376.

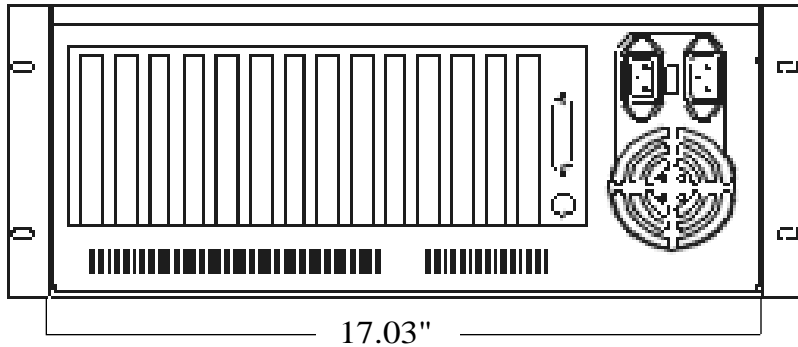


Features and specifications subject to change without notice.

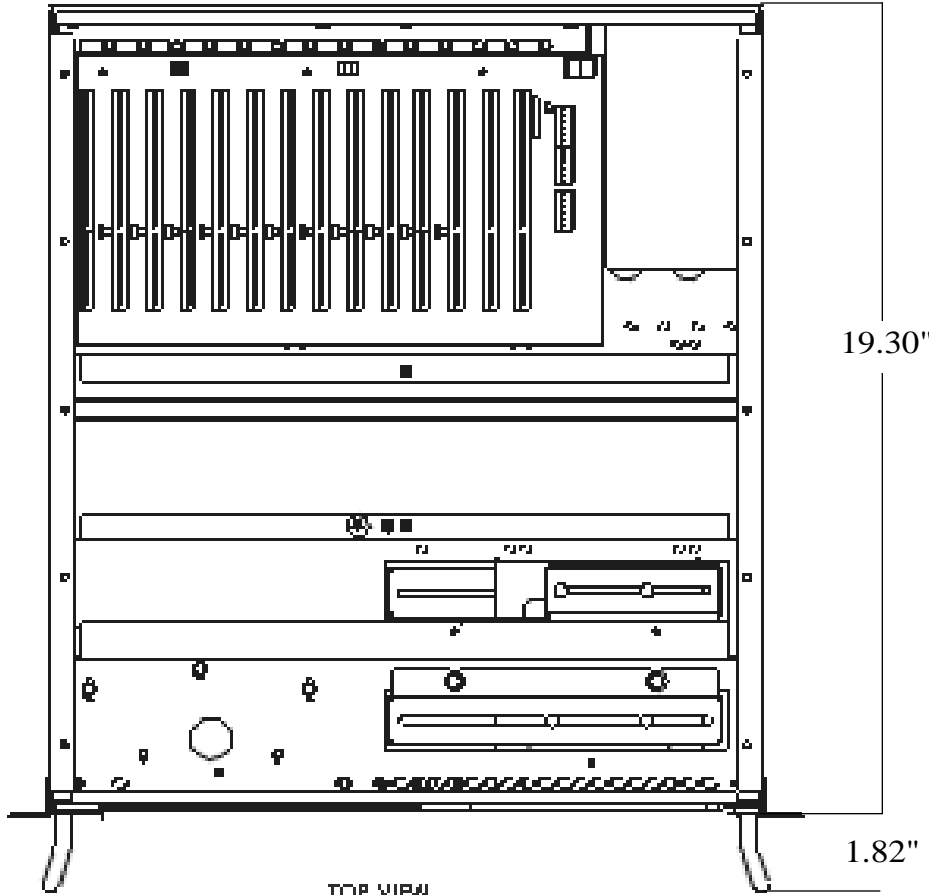
A Division of Peavey Electronics Corporation

711 A Street / Meridian, MS 39301 / U.S.A. / (601) 483-5376 / Fax 486-1154

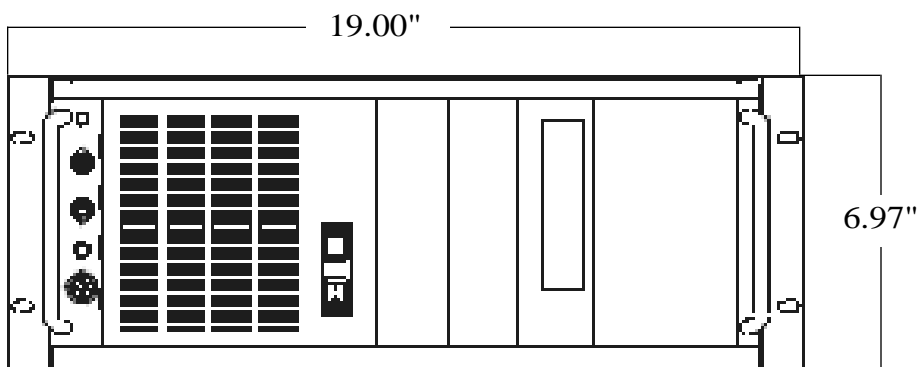
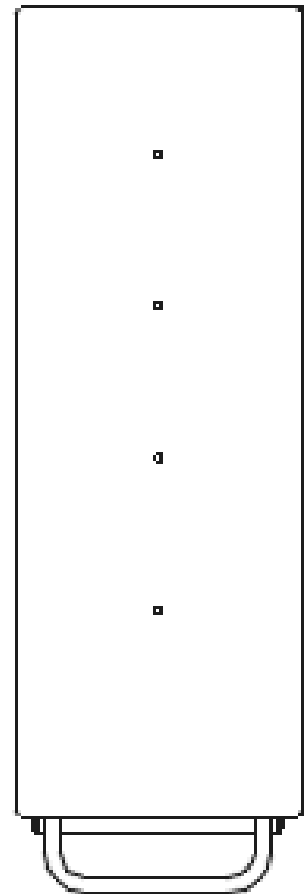
MediaMatrix[®] MM[™]-740 Mainframe



REAR VIEW



TOP VIEW



FRONT VIEW