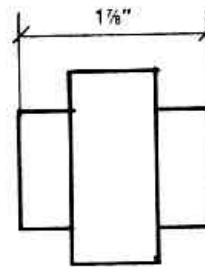
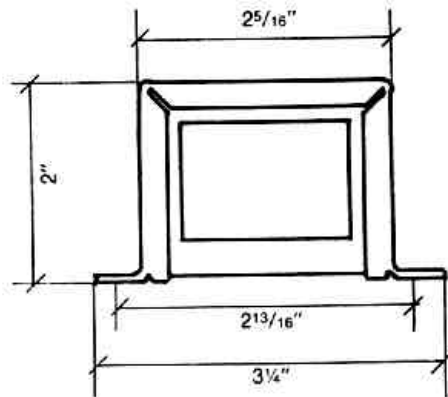
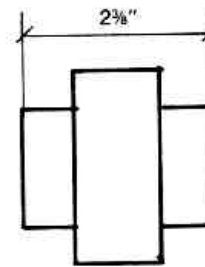
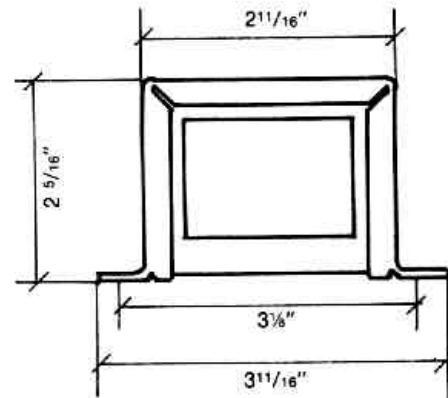


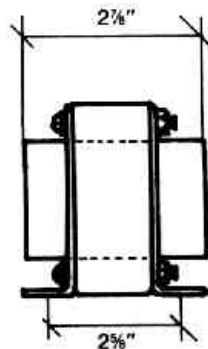
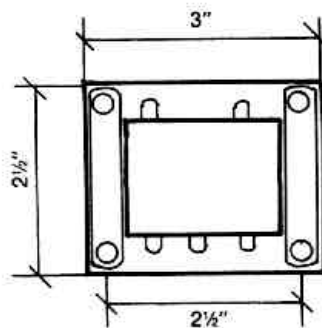
**10 WATT**



**25 WATT**



**50 WATT**



**100 WATT**

**PEAVEY**<sup>®</sup>  
ARCHITECTURAL ACOUSTICS<sup>®</sup>

# PLT<sup>™</sup>

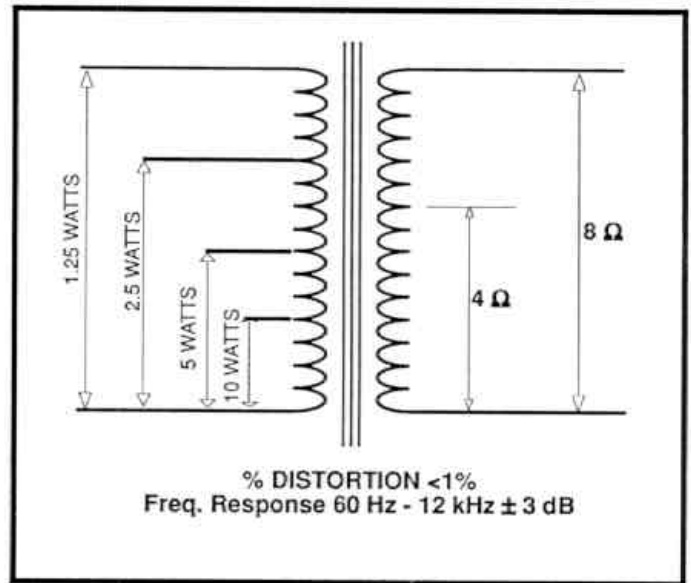
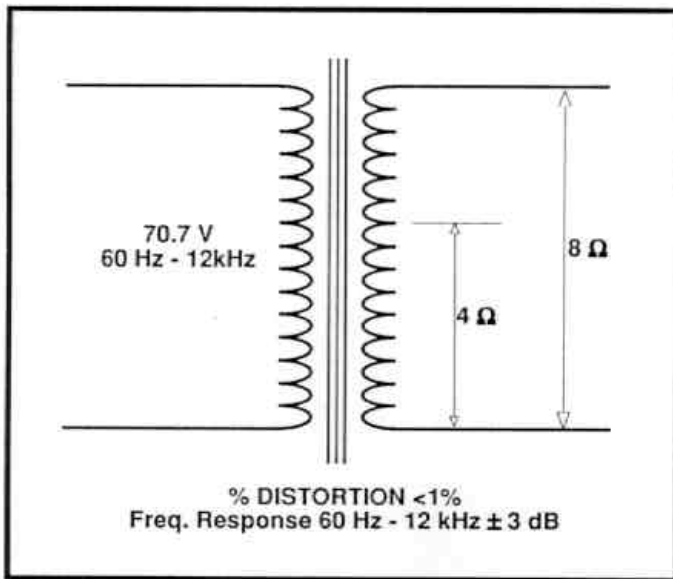
## Matching Line Transformers

### SPECIFICATIONS

#### PLT<sup>™</sup>

##### DESCRIPTION

The Peavey Architectural Acoustics Division PLT<sup>™</sup> Series matching transformers offer wide bandwidth and low distortion. Each unit is 70.7 constant voltage with 4 ohm and 8 ohm secondary tap. The PLT Series matching transformers are offered in 4 versions: 10 watt, 25 watt, 50 watt and 100 watt. The 10 watt version is a multiple tap unit with 10 watt, 5 watt, 2 1/2 watt and 1 1/4 watt connections. All versions offer high-quality silicon steel laminations. The 10 watt, 25 watt and 50 watt units are channel-frame mount and the 100 watt model is an L-bracket mount.



## WARRANTY

Peavey Electronics Corporation warrants to the original purchaser of this new Architectural Acoustics product that it is free from defects in material and workmanship. If within one (1) year from date of purchase a properly installed product proves to be defective and Peavey is notified, Peavey will repair or replace it at no charge. (Note: Batteries and patch cords not covered.) "Original purchaser" means the customer for whom the product is originally installed.

Damage resulting from improper installation, interconnection of a unit or system of another manufacturer, accident or unreasonable use, neglect or any other cause not arising from defects in material and workmanship is not covered by this warranty. The

warranty is valid only as to products purchased and installed in the United States.

**THIS LIMITED WARRANTY IS IN LIEU OF ANY AND ALL WARRANTIES, EXPRESSED OR IMPLIED, INCLUDING THE IMPLIED WARRANTIES OF MERCHANTABILITY AND FITNESS FOR A PARTICULAR USE. UNDER NO CIRCUMSTANCES WILL PEAVEY BE LIABLE FOR ANY LOST PROFITS, LOST SAVINGS, INCIDENTAL DAMAGES OR CONSEQUENTIAL DAMAGES ARISING OUT OF THE USE OR INABILITY TO USE THE PRODUCT, EVEN IF PEAVEY HAS BEEN ADVISED OF THE POSSIBILITY OF SUCH DAMAGE. THIS LIMITED WARRANTY IS THE ONLY EXPRESS WARRANTY ON THIS PRODUCT, AND NO OTHER STATEMENT,**

**REPRESENTATION, WARRANTY OR AGREEMENT BY ANY PERSON SHALL BE VALID OR BINDING UPON PEAVEY.**

Peavey's liability to the original purchaser for damages for any cause whatsoever and regardless of the form of action, is limited to the actual damages up to the greater of Five Hundred Dollars (\$500) or an amount equal to the purchase price of the product that caused the damage or that is the subject of or is directly related to the cause of action. This limitation of liability will not apply to claims for personal injury or damage to real property or tangible personal property allegedly caused by Peavey's negligence. For information on service under this warranty, call a Peavey customer service representative at (601) 483-5376.

***Peavey Architectural Acoustics Products Are Engineered and Manufactured in Our Facilities in the U.S.A.***

**PEAVEY**  
ARCHITECTURAL ACOUSTICS®

Features and specifications subject to change without notice.

A Division of Peavey Electronics Corporation  
711 A Street / Meridian, MS 39301 / U.S.A. / (601) 483-5376 / Fax 486-1278