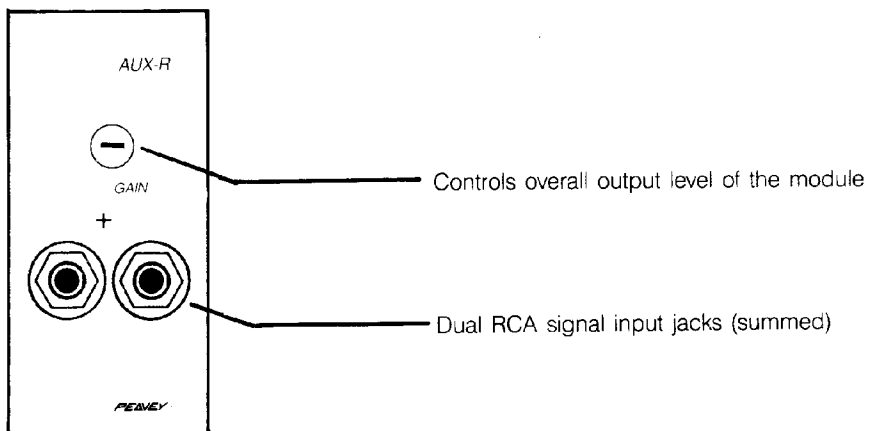
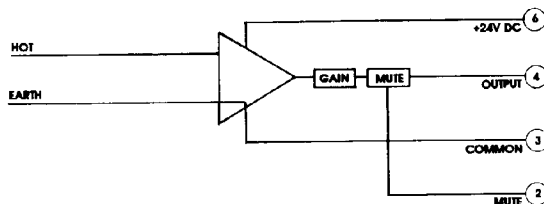


PEAVEY
ARCHITECTURAL ACOUSTICS®
MA™ SERIES MODULE AUX-R
Auxiliary Preamp Module With Muting

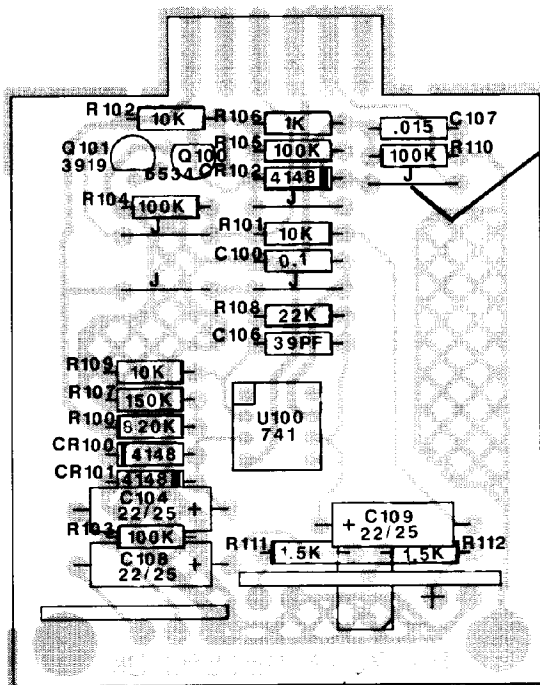


INSTALLATION:

The module installs at the rear panel of products accepting the standard 6-pin card-edge module connection. Align card-edge connector with top and bottom circuit board guides. Snap module into card-edge socket, push flush with rear panel and install (furnished) mounting screws.



BLOCK DIAGRAM

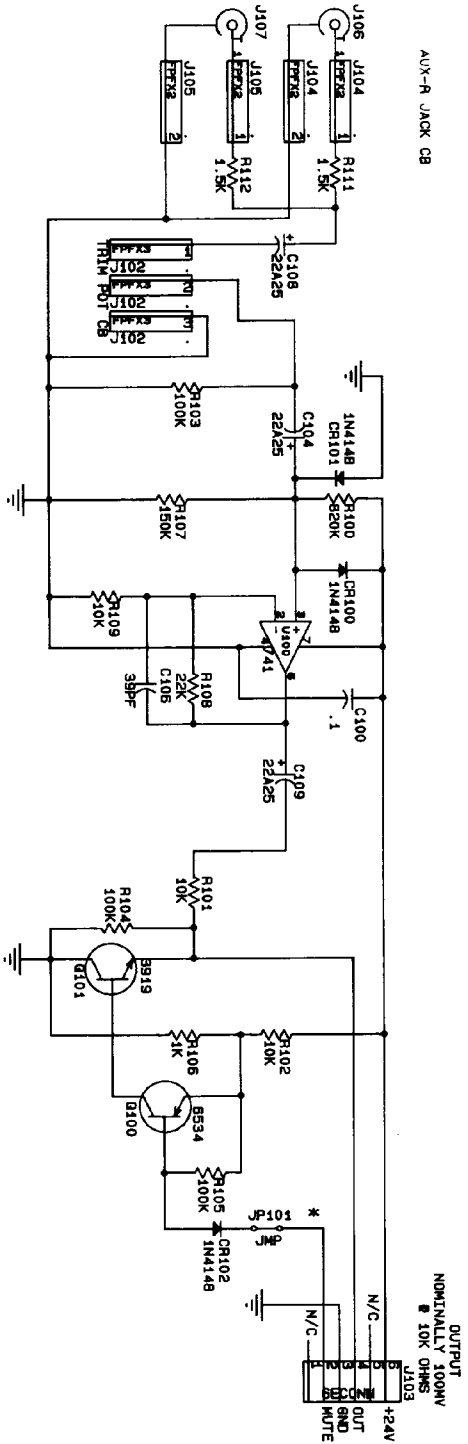


To defeat muting capabilities clip this jumper

SPECIFICATIONS:

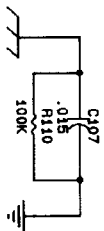
- Gain:** 0 to -30 dB
- Input Sensitivity:** 100 mV - 3.2V
- Frequency Response:** 20 Hz to 20 kHz ±.5 dB
- S/N Ratio:** 90 dB
- Muting Level:** 60 dB
- Power:** +24V DC
- Control:** Gain
- Mounting:** Edge card connector
- Weight:** 2.7 oz.
- Dimensions:** 3.07" H x 1.38" W x 3.46" D
- Load Impedance:** 10K ohm

AUX-R JACK CB



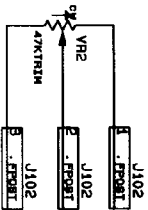
OUTPUT
NOMINALLY 100W
10K OHMS

* REMOVE JUMPER TO DISABLE
MUTE FUNCTION



AUX-R

BD. #72100098 (2-15-90)



PEAVEY ELECTRONICS CORP.
711 A ST.
MERIDIAN, MS

PEAVEY ELECTRONICS CORP.
711 A ST.
MERIDIAN, MS
DATE 6-15-90

DRAWN BY DRK

C.B. CK. DRK

CK. BY [Signature]

APPR. BY [Signature]

P/N B1510775



Features and specifications subject to change without notice.

©1990

Peavey Electronics Corporation 711 A Street / Meridian, MS 39302-2898 / U.S.A. / (601) 483-5365 / Telex: 504115 / Fax: 484-4278

Printed in U.S.A. 7/90

COPYRIGHT 1990 PEAVEY ELECTRONICS CORP. PRINTED IN U.S.A.