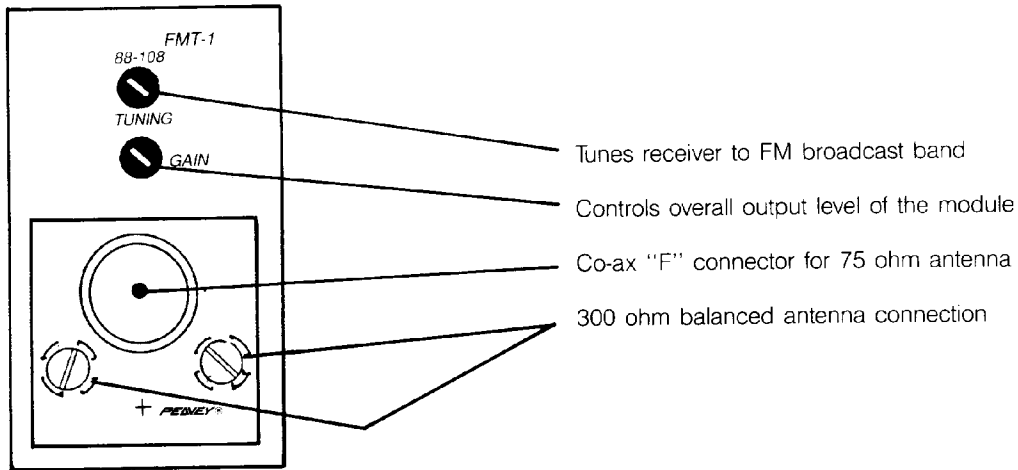


MA™ SERIES MODULE FMT™-1

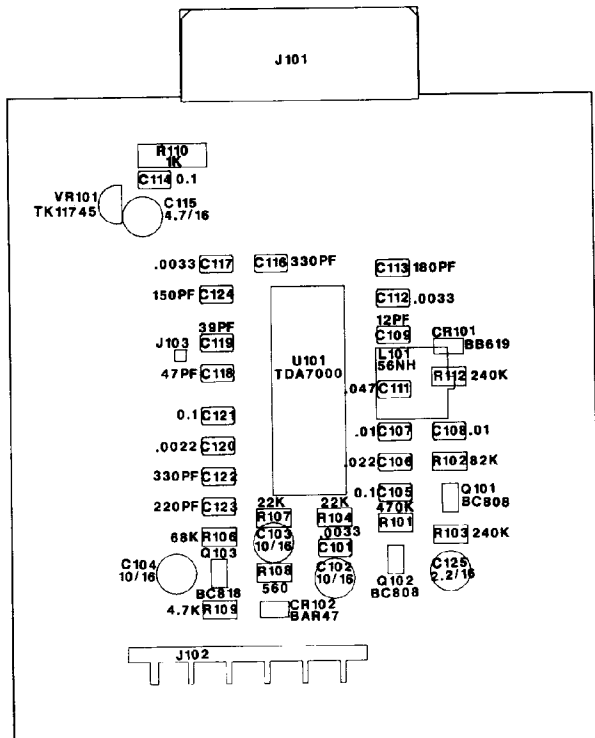
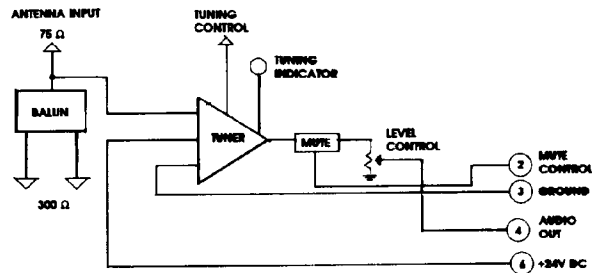
Broadcast band tuner module with muting



INSTALLATION:

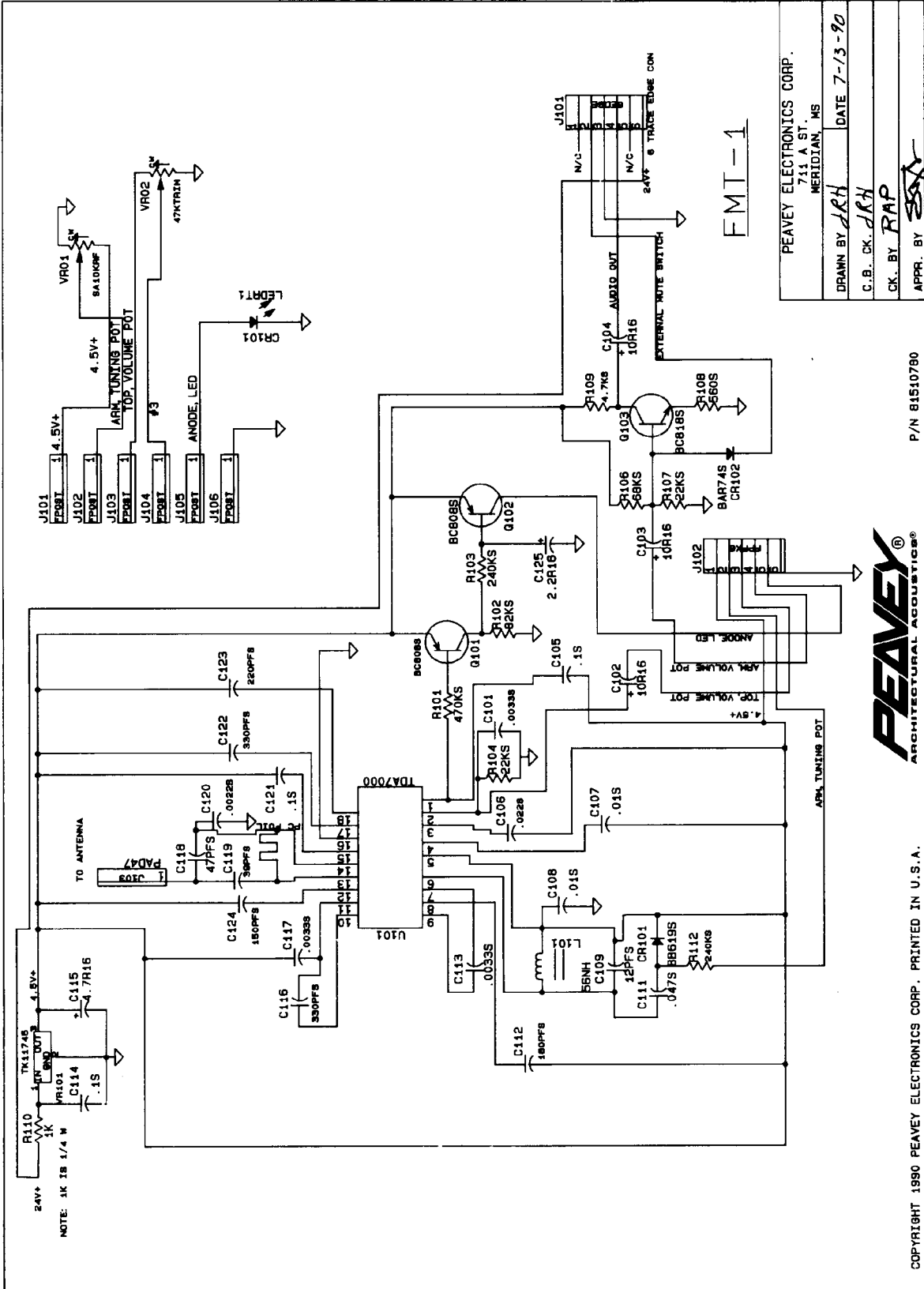
The module installs at the rear panel of products accepting the standard 6-pin card-edge module connection. Align card-edge connector with top and bottom circuit board guides. Snap module into card-edge socket, push flush with rear panel, and install (furnished) mounting screws.

BLOCK DIAGRAM



SPECIFICATIONS:

- Input Impedance:** 75 and 300 ohm antenna
- Power Requirement:** 24V DC
- Muting Level:** 60 dB
- Controls:** Gain & Tuning
- Mounting:** Edge card connector
- Weight:** 2.7 oz.
- Dimensions:** 3.07" H x 1.38" W x 3.46" D
- Signal-To-Noise Ratio:** 60 dB
- Sensitivity:** 5.5 uV
- Load Impedance:** 10K ohm



24V+
R110 1K
R101 470K
C114 .1S
C115 4.7R16
NOTE: 1K IS 1/4 W

COPYRIGHT 1990 PEAVEY ELECTRONICS CORP. PRINTED IN U.S.A.



P/N B1510780

Features and specifications subject to change without notice.

A Division of Peavey Electronics Corporation
 711 A Street, P. O. Box 2898, Meridian, MS 39302-2898 / (601) 483-5376 / Telex: 504115 / Fax: (601) 484-4278
 #80301270
 Printed in U.S.A. 7/90

PEAVEY ELECTRONICS CORP. 711 A ST. MERIDIAN, MS	
DRAWN BY <i>LRH</i>	DATE 7-13-90
C.B. CK. <i>LRH</i>	
CK. BY <i>RAP</i>	
APPR. BY <i>SSX</i>	