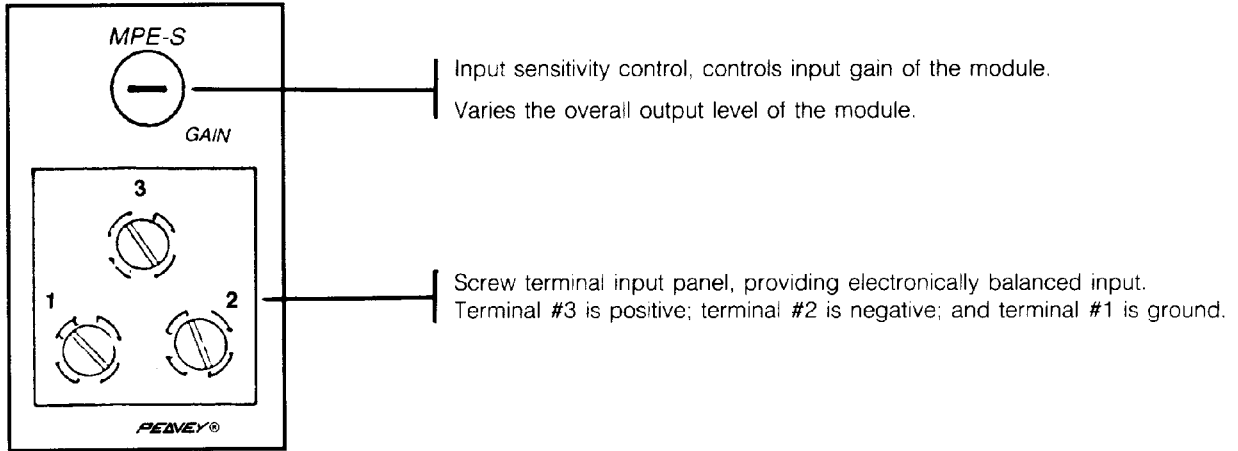




MA™ SERIES MODULE MPE™-S

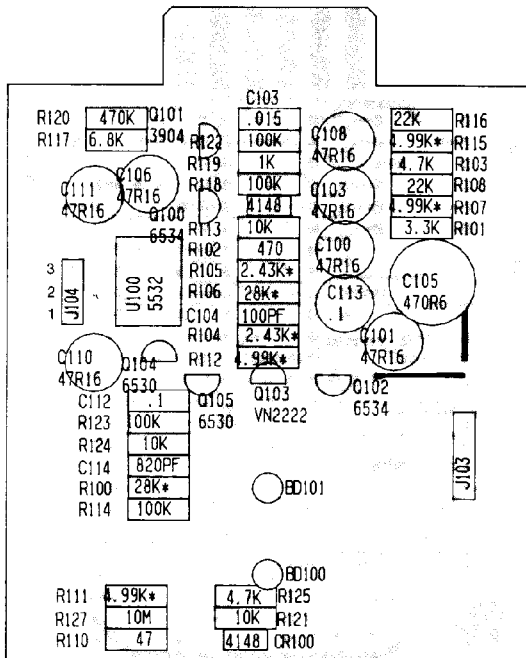
Electronically Balanced Mic Preamp w/Screw Terminal



INSTALLATION

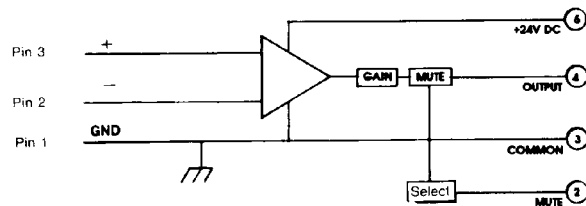
The module installs at the rear panel of product accepting the standard 6-pin card-edge connection. Align card-edge connector with top and bottom circuit board guides. Snap module into card-edge socket, push flush with rear panel, and install (furnished) mounting screws.

BLOCK DIAGRAM



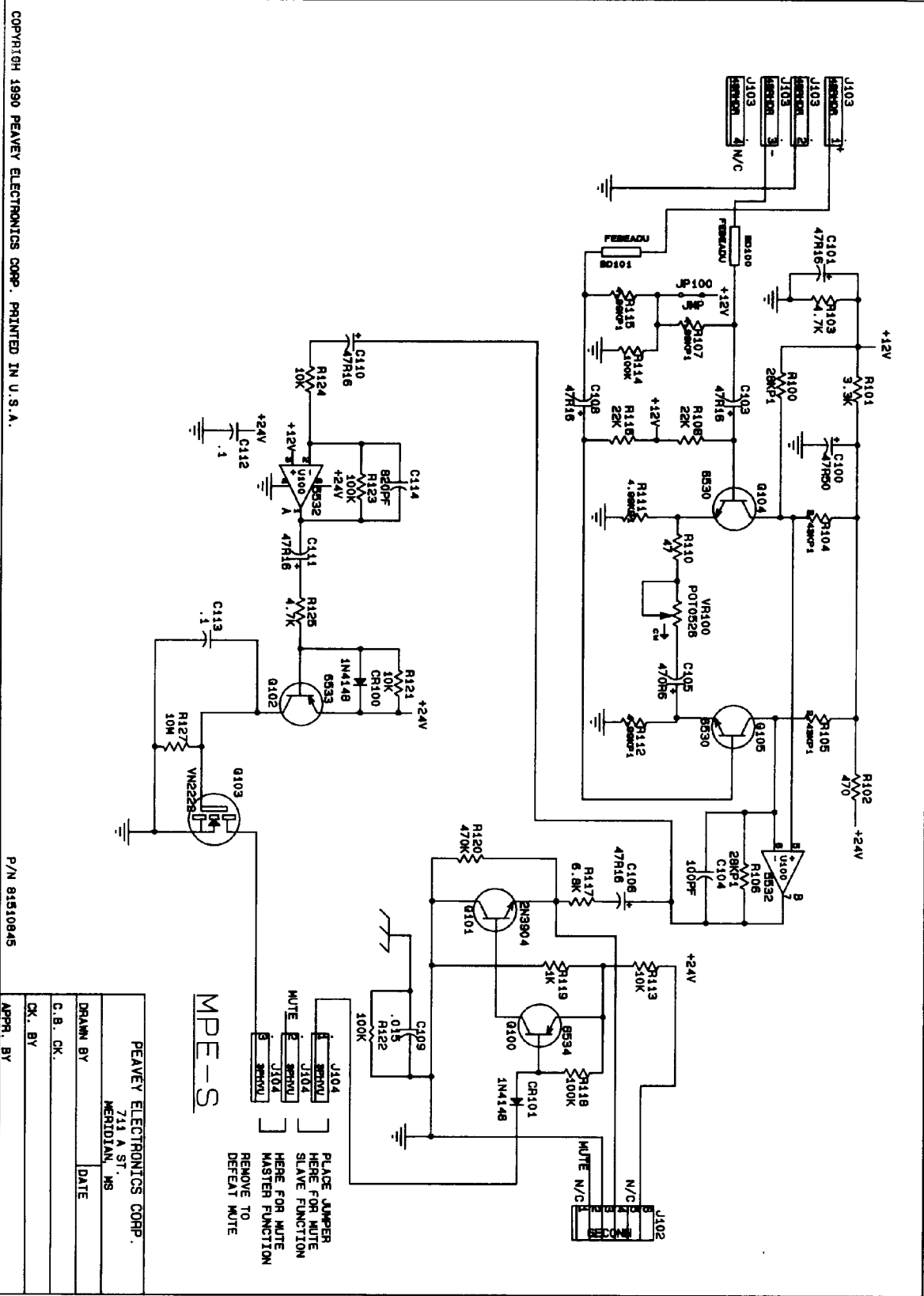
Mute Select: (1) Mute Slave: Place jumper between pins 1 and 2
(2) Mute Master: Place jumper between pins 2 and 3
(3) No Mute: Remove 2 circuit jumper

* Shipped in mute master position



SPECIFICATIONS

Gain:	13 to 53 dB
Input Sensitivity:	0.25 mV to 22 mV
Frequency Response:	±1 dB 20 Hz to 20 kHz
EIN: (20 - 20 kHz)	-123 dBu (200 ohms terminated)
Distortion: (1 kHz)	<0.1% with 1 mV input
Source Impedance:	200 ohms
Muting:	Mute Master or Mute Slave (selectable)
Attenuation (Slave):	60 dB
Phantom Power:	12V DC (Defeatable)
Power:	24V Dc (13 mA)
Control:	Gain
Mounting:	Edge card connector
Weight:	2.6 oz.
Dimensions:	3.07" H x 1.38" W x 3.46" D
Load Impedance:	10K ohms



COPYRIGHT 1990 PEAVEY ELECTRONICS CORP. PRINTED IN U.S.A.

P/N 81510945

Features and specifications subject to change without notice.

A Division of Peavey Electronics Corporation

711 A Street / Meridian, MS 39301 / U.S.A. / (601) 483-5376 / Telex 504115 / Fax 486-1278

©1990

Printed in U.S.A. 11/90

PEAVEY ELECTRONICS CORP.	
711 A ST.	
MERIDIAN, MS	
DRAWN BY	DATE
C.B. CK.	
CK. BY	
APPR. BY	

MUTE JUMPER
HERE FOR MUTE
SLAVE FUNCTION
HERE FOR MUTE
MASTER FUNCTION
REMOVE TO
DEFEAT MUTE