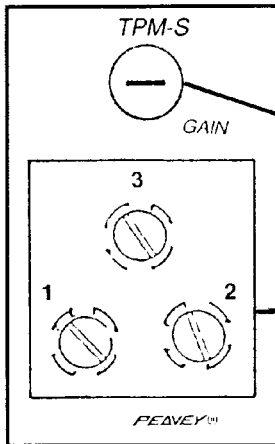




# MA™ SERIES MODULE TPM™-S

Telephone Paging Module w/Screw Terminal



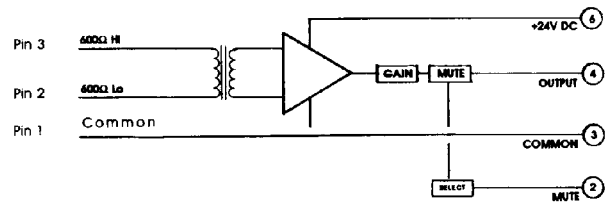
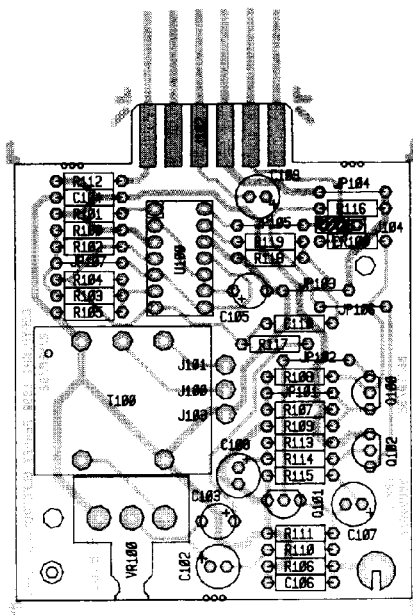
Controls the overall output level of the module.

Screw terminal input panel, providing transformer balanced input. Terminal #3 is positive; terminal #2 is negative; and terminal #1 is ground.

## INSTALLATION

The module installs at the rear panel of product accepting the standard 6-pin card-edge connection. Align card-edge connector with top and bottom circuit board guides. Snap module into card-edge socket, push flush with rear panel, and install (furnished) mounting screws.

## BLOCK DIAGRAM

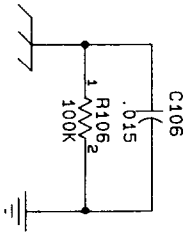
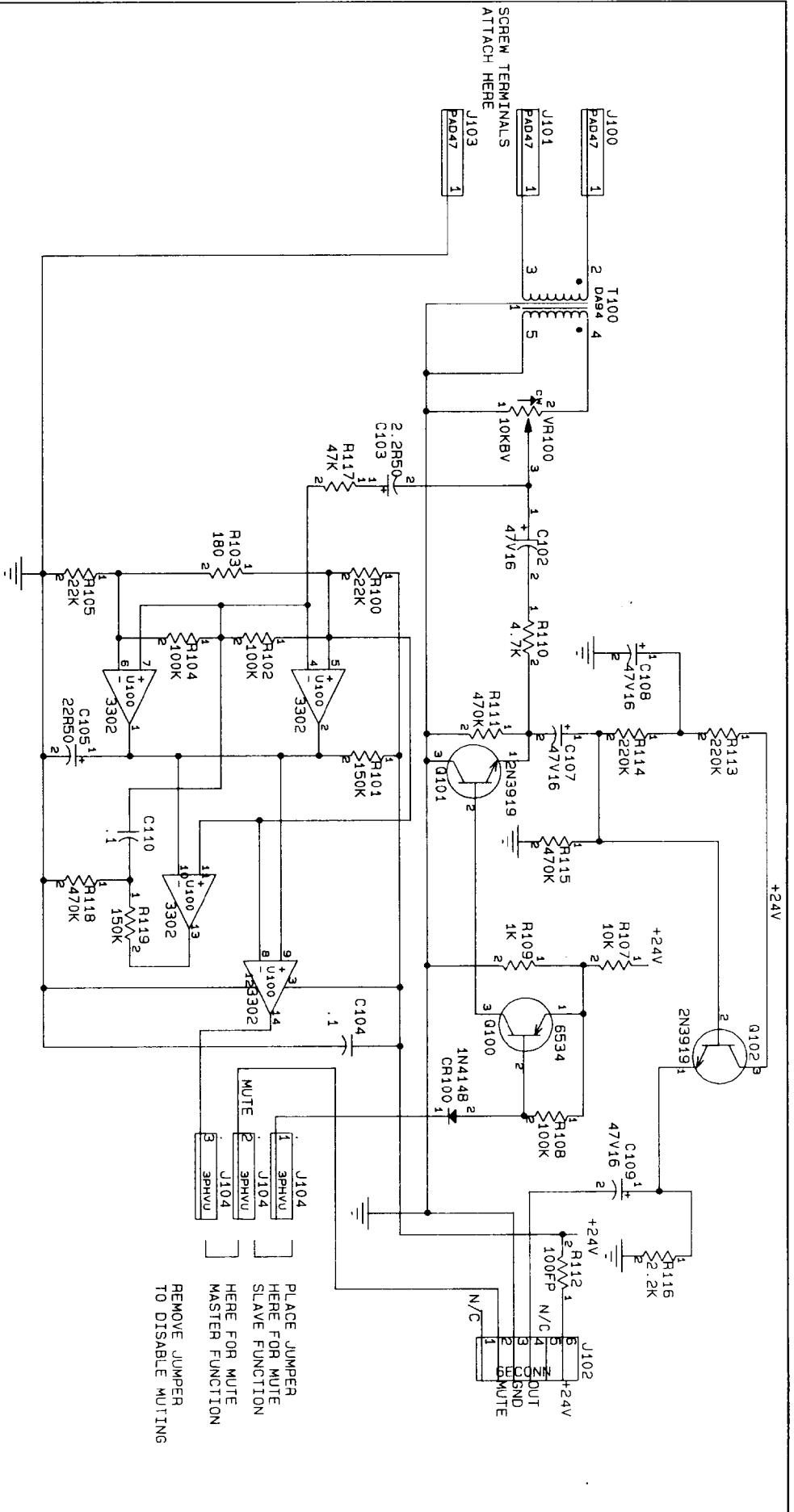


## SPECIFICATIONS

<b>Gain: (PAD)</b>	-0.5 to -75 dB
<b>Input Sensitivity:</b>	110 mV minimum
<b>Frequency Response:</b>	±1 dB 20 Hz to 20kHz
<b>S/N Ratio:</b>	>80 dB (Reference to 100 mV out)
<b>Distortion: (1 kHz)</b>	<0.02% at 100 mV output
<b>Source Impedance:</b>	600 ohms
<b>Muting:</b>	Mute Master or Mute Slave (selectable)
<b>Attenuation (Slave):</b>	60 dB
<b>Power:</b>	24V DC (8 mA)
<b>Control:</b>	Gain
<b>Mounting:</b>	Edge card connector
<b>Weight:</b>	3.6 oz.
<b>Dimensions:</b>	3.07" H x 1.38" W x 3.46" D
<b>Load Impedance:</b>	10K ohms

Mute Select: (1) Mute Slave: Place jumper between pins 1 and 2  
 (2) Mute Master: Place jumper between pins 2 and 3  
 (3) No Mute: Remove 2 circuit jumper

\* Shipped in mute master position



J104  
 1 3PHVU  
 J104  
 2 3PHVU  
 J104  
 3 3PHVU  
 PLACE JUMPER  
 HERE FOR MUTE  
 SLAVE FUNCTION  
 HERE FOR MUTE  
 MASTER FUNCTION  
 REMOVE JUMPER  
 TO DISABLE MUTING

PEAVEY ELECTRONICS CORP.			
711 A STREET			
MERIDIAN, MS 39301			
TITLE IPM-S			
SIZE	CODE	NUMBER	REV
B		19200035	
DATE	21-JUL-92	SHEET	1 OF 1

Features and specifications subject to change without notice.