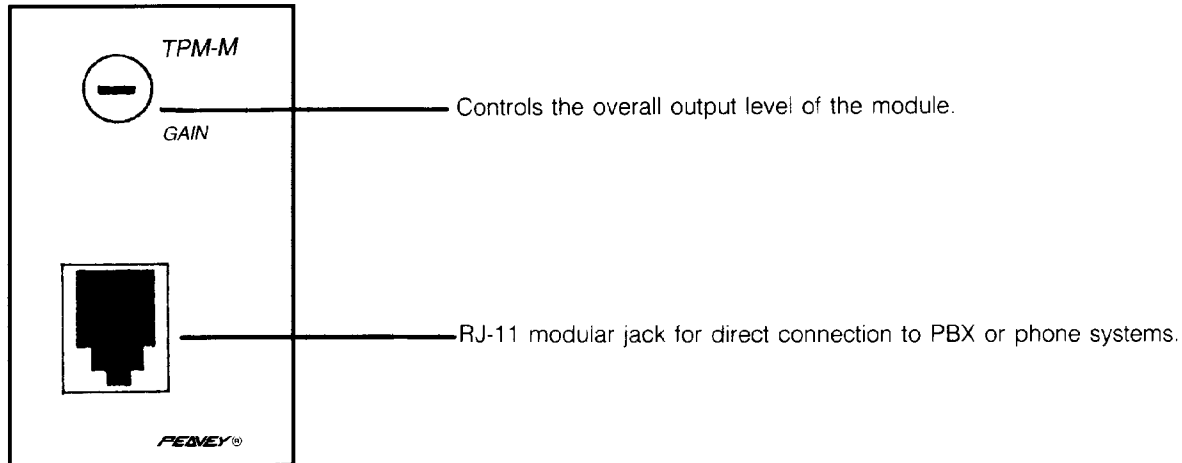


MA™ SERIES MODULE TPM™-M

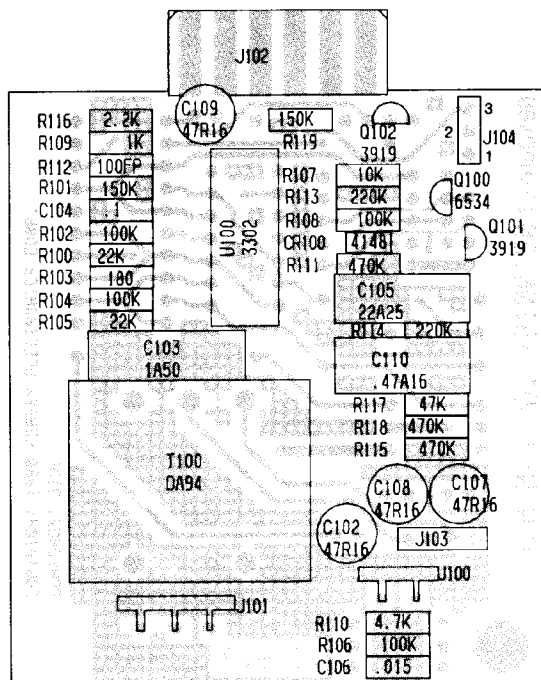
Telephone Paging Module w/RJ-11 Connector



INSTALLATION

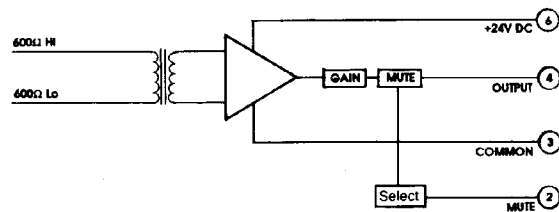
The module installs at the rear panel of product accepting the standard 6-pin card-edge connection. Align card-edge connector with top and bottom circuit board guides. Snap module into card-edge socket, push flush with rear panel, and install (furnished) mounting screws.

BLOCK DIAGRAM



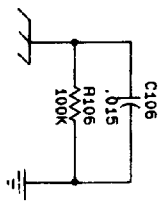
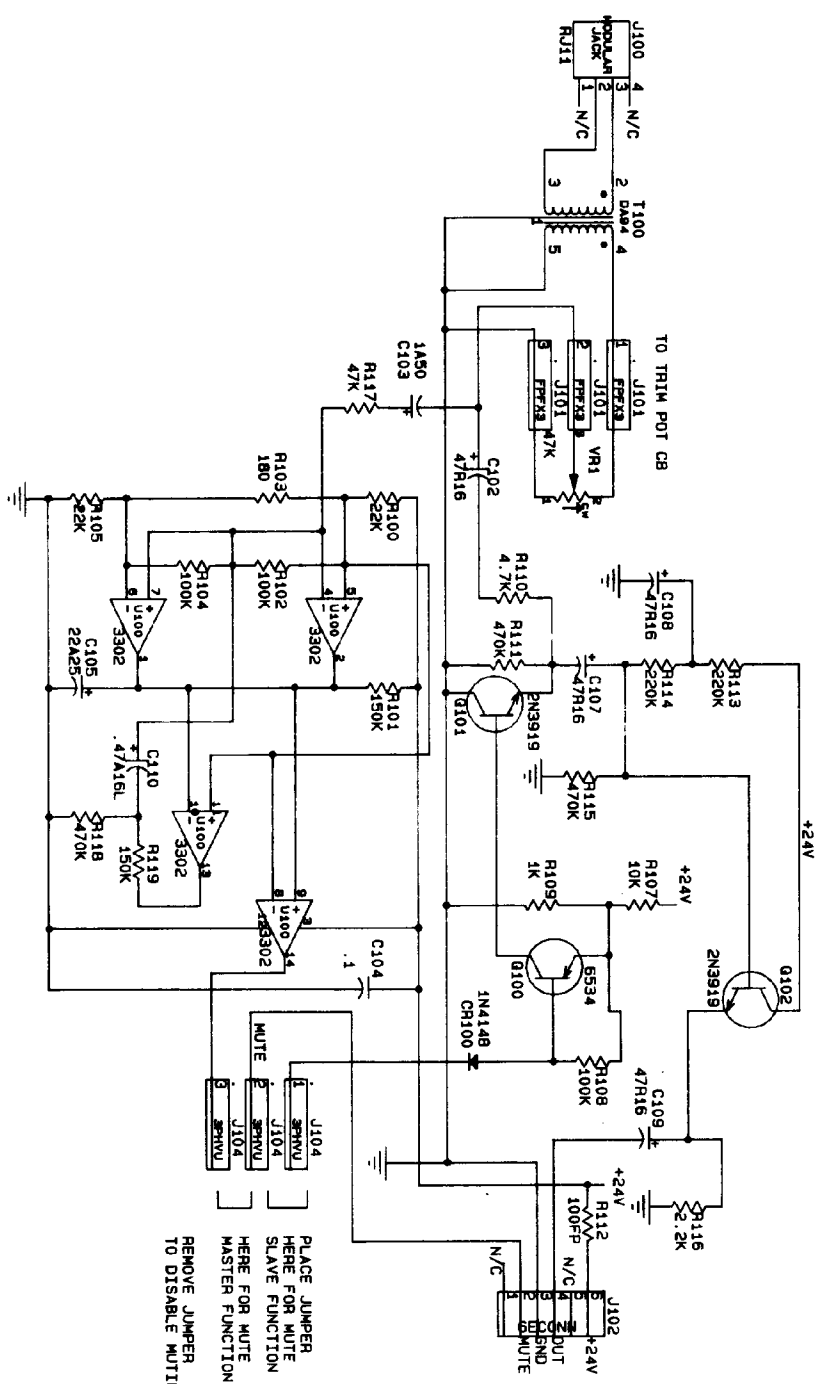
Mute Select: (1) Mute Slave: Place 2 circuit jumper between pins 1 and 2
(2) Mute Master: Place 2 circuit jumper between pins 2 and 3
(3) No Mute: Remove 2 circuit jumper

* Shipped as a mute master



SPECIFICATIONS

Gain: (PAD)	-0.5 to -75 dB
Input Sensitivity:	110 mV minimum
Frequency Response:	±1 dB 20 Hz to 20kHz
S/N Ratio:	> 80 dB (Reference to 100 mV out)
Distortion: (1kHz)	< 0.02% at 100 mV output
Source Impedance:	600 ohms
Muting:	Mute Master or Mute Slave (selectable)
Attenuation (Slave):	60 dB
Power:	24V DC (8 mA)
Control:	Gain
Mounting:	Edge card connector
Weight:	3.6 oz.
Dimensions:	3.07" H x 1.38" W x 3.46" D
Load Impedance:	10K ohms



TPM-M

PEAVEY ELECTRONICS CORP.	
711 A ST.	
MERIDIAN, MS	
DRAWN BY: <i>DRH</i>	DATE: <i>12-4-90</i>
C.B. CK. <i>FRH</i>	
CK. BY: <i>John Rowe</i>	
APPR. BY: <i>John Rowe</i>	

Features and specifications subject to change without notice.

A Division of Peavey Electronics Corporation
 711 A Street / Meridian, MS 39301 / U.S.A. / (601) 483-5376 / Telex 504115 / Fax 486-1278
 #80301314 Printed in U.S.A. 11/94

©1994

COPYRIGHT 1990 PEAVEY ELECTRONICS CORP. PRINTED IN U.S.A.