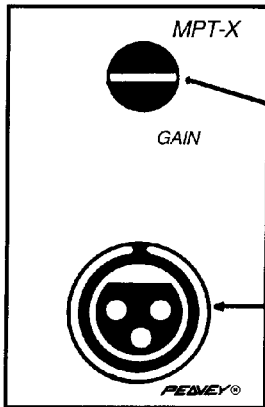




# MA™ SERIES MODULE MPT™-X

Transformer Balanced Mic Preamp With XLR



Input sensitivity control, controls input gain of the module.

GAIN

Varies the overall output level of the module

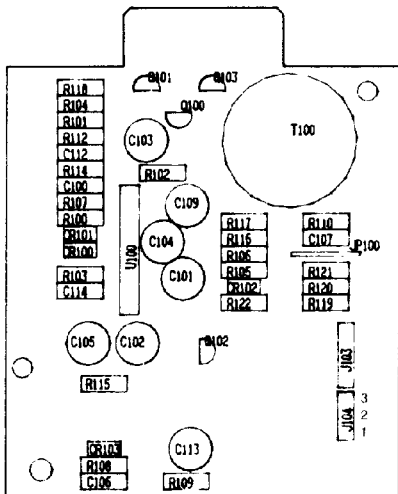
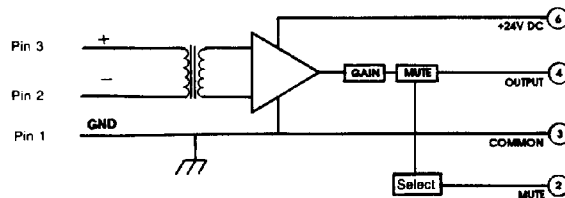
XLR input panel, providing transformer balanced input.

Pin #3 is positive; pin #2 is negative; and pin #1 is ground.

## INSTALLATION

The module installs at the rear panel of product accepting the standard 6-pin card-edge connection. Align card-edge connector with top and bottom circuit board guides. Snap module into card-edge socket, push flush with rear panel, and install (furnished) mounting screws.

## BLOCK DIAGRAM

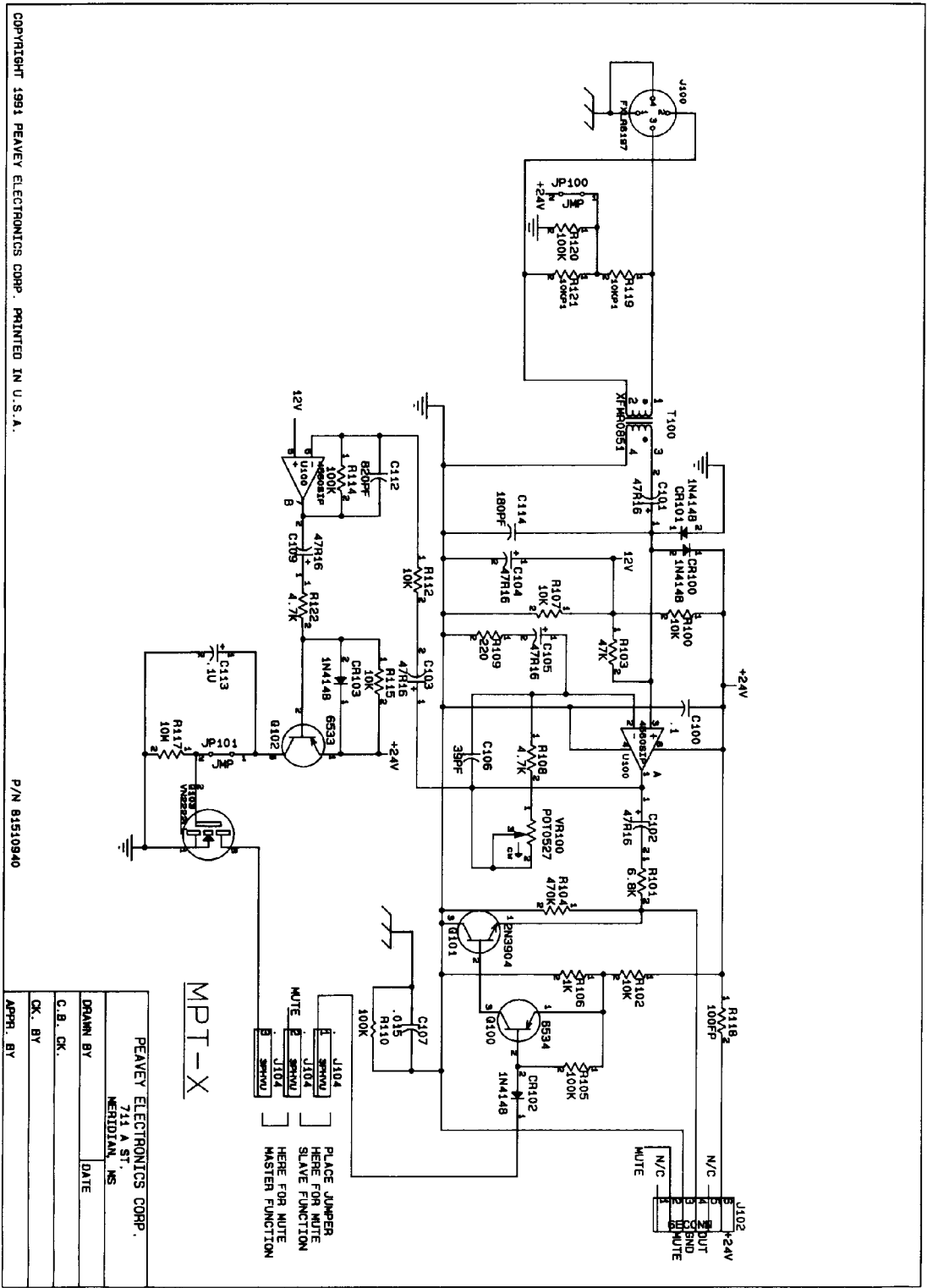


## SPECIFICATIONS

<b>Gain:</b>	31 to 51 dB
<b>Input Sensitivity:</b>	0.28 mV to 2.8 mV
<b>Frequency Response:</b>	±1 dB 30 Hz to 20 kHz
<b>EIN: (20 - 20 kHz)</b>	-123 dBu (200 ohms terminated)
<b>Distortion: (1 kHz)</b>	<0.1% with 1 mV input
<b>Source Impedance:</b>	200 ohms
<b>Muting:</b>	Mute Master or Mute Slave (selectable)
<b>Attenuation (Slave):</b>	60 dB
<b>Phantom Power:</b>	24V DC (Defeatable)
<b>Power:</b>	24V DC (13 mA)
<b>Control:</b>	Gain
<b>Mounting:</b>	Edge card connector
<b>Weight:</b>	2.9 oz.
<b>Dimensions:</b>	3.07" H x 1.38" W x 3.46" D
<b>Load Impedance:</b>	10K ohms

Mute Select: (1) Mute Slave: Place jumper between pins 1 and 2  
 (2) Mute Master: Place jumper between pins 2 and 3  
 (3) No Mute: Remove 2 circuit jumper

\* Shipped in mute master position



COPYRIGHT 1991 PEAVEY ELECTRONICS CORP. PRINTED IN U.S.A.

P/N 81510840

Features and specifications subject to change without notice.

A Division of Peavey Electronics Corporation  
 711 A Street, P. O. Box 2898, Meridian, MS 39302-2898 / (601) 483-5376 / Telex: 504115 / Fax: (601) 484-4278  
 © 1991 #80301407 Printed in U.S.A. 2/91