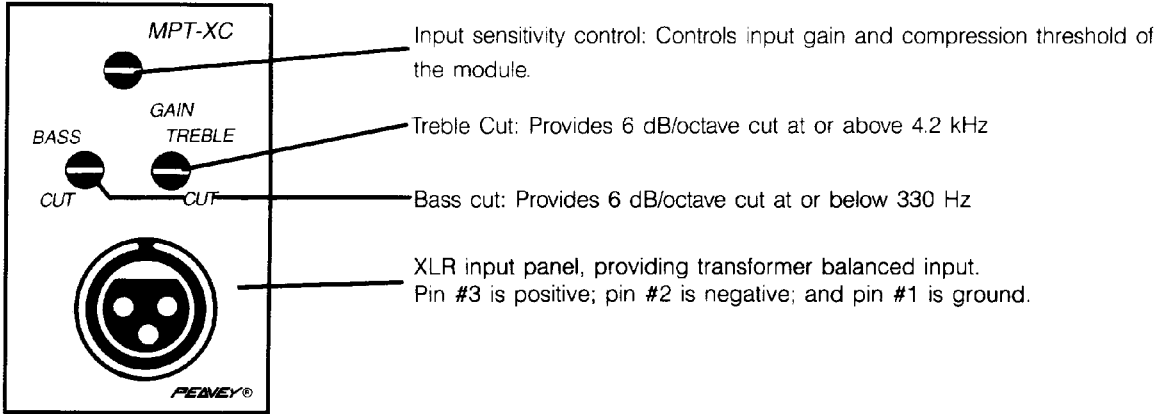




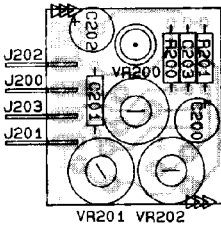
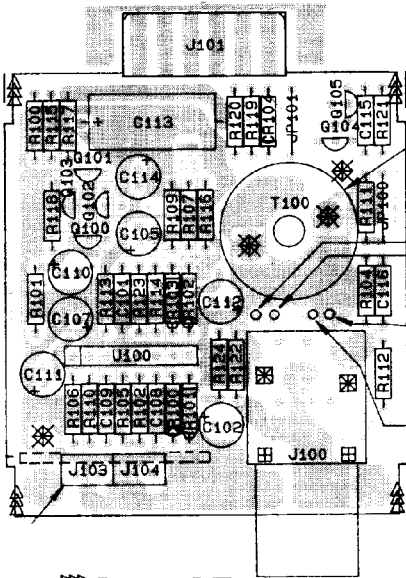
# MA™ SERIES MODULE MPT™-XC

## Transformer Balanced Input Module With XLR And Compression



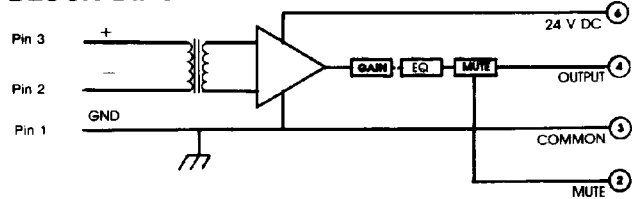
### INSTALLATION:

The module installs at the rear panel of product accepting the standard 6-pin card-edge connection. Align card-edge connector with top and bottom circuit board guides. Snap module into card-edge socket, push flush with rear panel, and install (furnished) mounting screws.



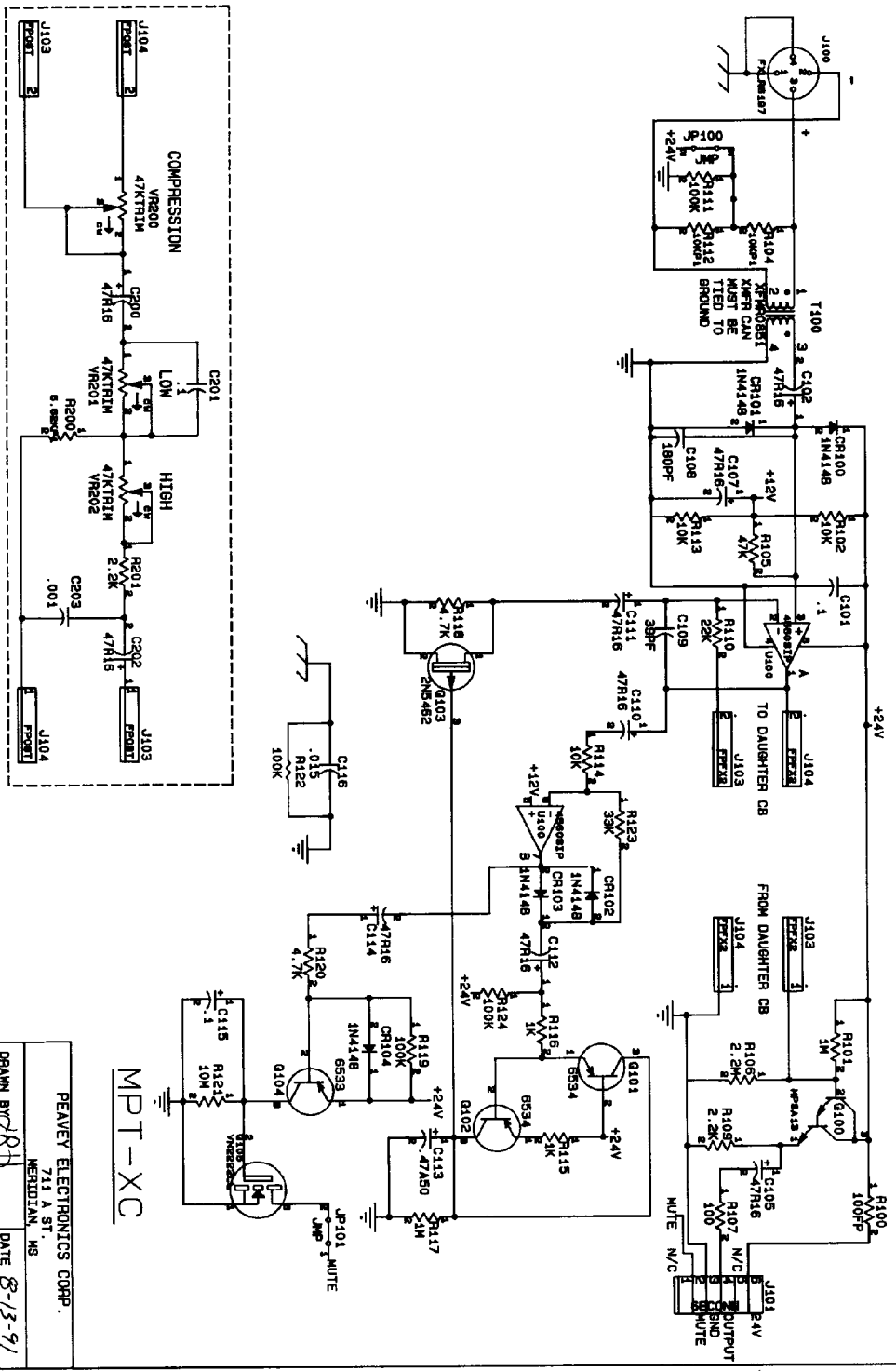
Clip JP101 To Defeat Muting  
 Clip JP100 For Phantom Power Defeat

### BLOCK DIAGRAM



### SPECIFICATIONS:

- Gain:** 32 - 52 dB
- Input Sensitivity:** .25 mV - 2.5 mV
- Compression Range:** 20 dB
- Frequency Response:** ±1 dB 25 Hz to 20 kHz
- Input Impedance:** 200 ohms
- Noise:** -125 dBm (200 ohms terminated)
- Bass:** Flat to 6 dB per octave below 330 Hz
- Treble:** Flat to 6 dB per octave above 4.2 kHz
- Muting Attenuation:** 60 dB
- Phantom Power:** 24 V DC
- Power:** +24 V DC
- Controls:** Gain, Low Cut, High Out
- Mounting:** Edge card connector
- Weight:** 3.7 oz.
- Dimensions:** 3.07" H x 1.38" W x 3.46" D
- Load Impedance:** 10K ohms



COPYRIGHT 1991 PEAVEY ELECTRONICS CORP. PRINTED IN U.S.A. P/N 61513010

**MPT-XC**

PEAVEY ELECTRONICS CORP.	
711 A ST.	
MERIDIAN, MS	
DRAWN BY <i>BRH</i>	DATE <i>8-13-91</i>
C.B. CK. <i>DRH</i>	
OK. BY <i>02</i>	
APPR. BY <i>[Signature]</i>	DATE <i>8-14-91</i>

Features and specifications subject to change without notice.

A Division of Peavey Electronics Corporation  
 711 A Street / Meridian, MS 39301 / U.S.A. / (601) 483-5376 / Fax 486-1278  
 #80301457  
 ©1991  
 Printed in U.S.A. 8/91