

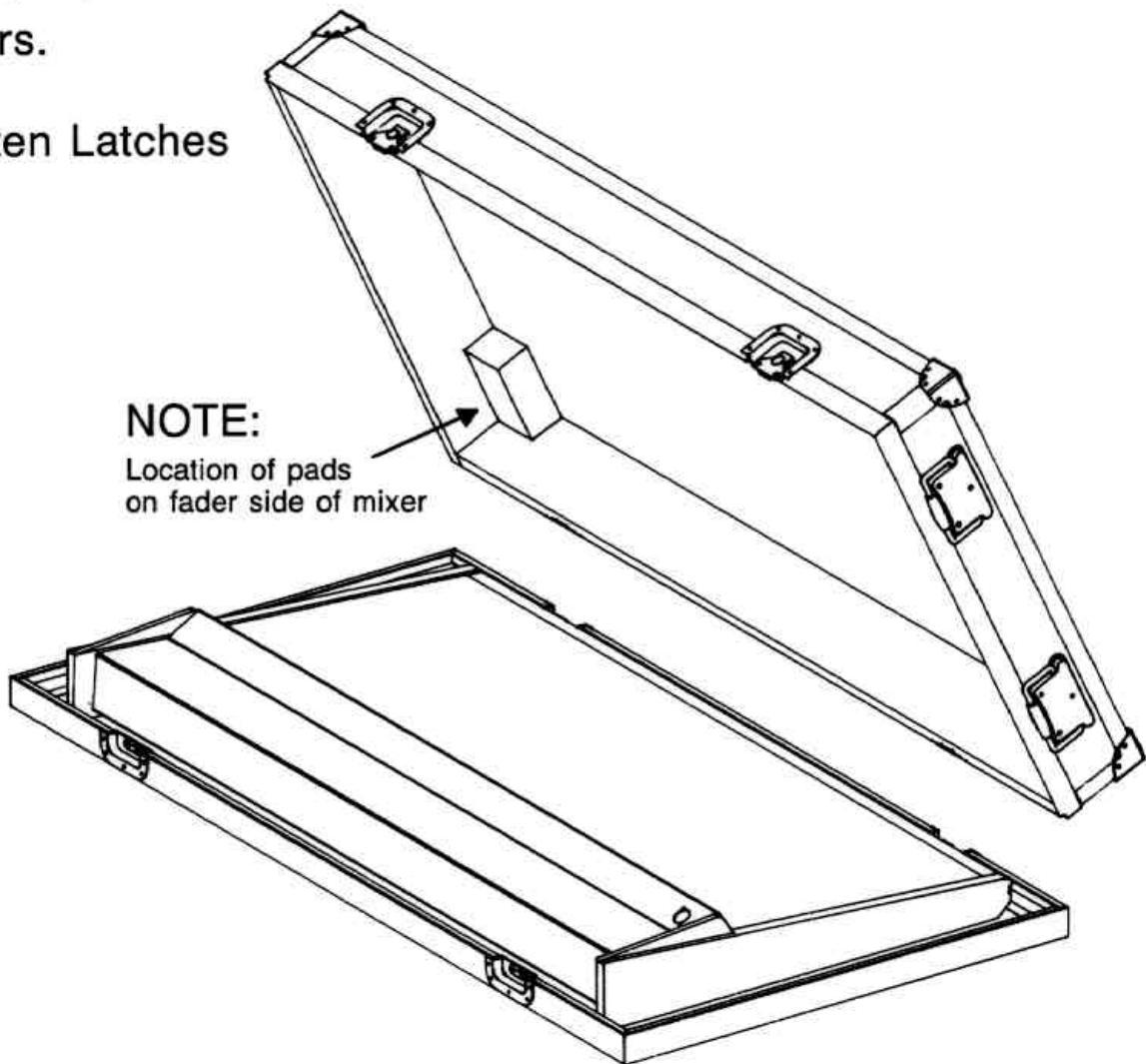
MIXER FLIGHT CASE INSTRUCTIONS

Use for SRC 1600 and SRC 2400

1. Place Mixer in bottom
as shown.

2. Affix top with corner
pads, located towards
faders.

3. Fasten Latches



NOTE:

Location of pads
on fader side of mixer



Features and specifications subject to change without notice.

Peavey Electronics Corporation 711 A Street / Meridian, MS 39302-2898 / U.S.A. / (601) 483-5365 / Telex: 504115 / Fax: 484-4278

©1992

#80301682

Printed in U.S.A. 5/92