

CD MIX™ 9072A

PROFESSIONAL DJ MIXER

OPERATING GUIDE



CD MIX™ 9072A
Professional DJ Mixer



CD MIX™ 9072 A

Please read this entire manual before hooking the mixer into your audio system.

CAUTION: Do not use spray cleaner for any slide control as this will wash out vital lubricants and shorten component life.

A Intended to alert the user to the presence of uninsulated "dangerous voltage" within the product's enclosure that may be of sufficient magnitude to constitute a risk of electric shock to persons.

A Intended to alert the user of the presence of important **operating and maintenance (servicing)** instructions in the literature accompanying the product.

CAUTION: Risk of electrical shock – **DO NOT OPEN!**

CAUTION: To reduce the risk of electric shock, do not remove cover. No user serviceable parts inside. Refer servicing to qualified service personnel.

WARNING: To prevent electrical shock or fire hazard, do not expose this appliance to rain or moisture. Before using this appliance, read the operating guide for further warnings.

A Este símbolo tiene el propósito de alertar a l usuario de l a presencia de "(voltage) peligroso" que no tiene aislamiento dentro de l a caja del producto que puede tener una magnitud suficiente como para constituir riesgo de corrientazo.

A Este símbolo tiene el propósito de alertar al usuario de l a presencia de instruccoes importantes sobre la operación y mantenimiento en l a literatura que viene con el producto.

PRECAUCION: Riesgo de corrientazo – **No abra.**

PRECAUCION: Para disminuir el riesgo de corrientazo, no abra l a cubierta. No hay piezas adentro que el usuario pueda reparar. Deje todo mantenimiento a los técnicos calificados.

ADVERTENCIA: Para evitar corrientazos o peligro de incendio, no deje expuesto a l a lluvia o humedad este aparato. Antes de usar este aparato, lea más advertencias en l a guía de operación.


A Ce symbole est utilisé pur indiquer à l'utilisateur la présence à l'intérieur de ce produit de tension non-isolée dangereuse pour a nt être d'intensité suffisante pour constituer un risque de choc électrique.

A Ce symbole est utilisé pour indiquer à l'utilisateur qu'il ou qu'elle trouvera d'importantes instructions sur l'utilisation et l'entretien (service) de l'appareil dans la littérature accompagnant le produit.

ATTENTION: Risques de choc électrique – **NE PAS OUVRI!**

ATTENTION: Afin de réduire le risque de choc électrique, ne pas enlever le couvercle. Il ne se trouve à l'intérieur aucune pièce pouvant être réparée par l'utilisateur. Confier l'entretien à un personnel qualifié.

AVERTISSEMENT: Afin de prévenir les risques de décharge électrique ou de feu, n'exposez pas cet appareil à la pluie ou à l'humidité. Avant d'utiliser cet appareil, lisez les avertissement supplémentaires situés dans le guide.

 Dieses Symbol soll den Anwender vor unisolierten gefährlichen Spannungen innerhalb des Gehäuses warnen, die von Ausreichender Stärke sind, um einen elektrischen Schlag verursachen zu können.

A Dieses Symbol soll den Benutzer auf wichtige Instruktionen in der Bedienungsanleitung aufmerksam machen, die Handhabung und Wartung des Produkts betreffen.

VORSICHT: Risiko – Elektrischer Schlag! Nicht öffnen!

VORSICHT: Um das Risiko eines elektrischen Schlages zu vermeiden, nicht die Abdeckung entfernen. Es befinden sich keine Teile darin, die vom Anwender repariert werden könnten. Reparaturen nur von qualifiziertem Fachpersonal durchführen lassen.

ACHTUNG: Um einen elektrischen Schlag oder Feuergefahr zu vermeiden, sollte dieses Gerät nicht dem Regen oder Feuchtigkeit ausgesetzt werden. Vor Inbetriebnahme unbedingt die Bedienungsanleitung lesen.

Parts Inventory

Thank you for purchasing the Peavey CD MIX 9072 A professional DJ mixing unit. When used in accordance with this manual, your new DJ mixer will give years of good service.

In order to read this manual you will have already unpacked the unit. You should have:

- One CD MIX 9072 A mixer unit.
- One 16 V AC UL listed wall-mount power supply unit.
(This is packaged separately.)

Please retain the packing material for future use.

Features:

- Monitor facility with separate switch for mic in/out
- CD/phono switches on all three phono music inputs
- 4-way assignable Crossfade switches
- Seven music inputs
- Selectable program effects loop to add echo, reverb etc. or more graphic EQ
- Separate, selectable, Mic effects loop common to both mic inputs
- 7-band graphic EQ ± 12 dB on each band; 30 mm slide pots fitted with center-detent for easy zeroing of EQ
- EQ select switch
- Two front-panel-mounted Low-Z Mic inputs - ideal for rap DJs who often work in groups of two or more people
- Individually-selectable headphone cueing for each music channel.
- Twin, crossfade-assignable beat lights for pre-matching dance music tempos before crossfading
- Selectable automatic voice-over
- Manual push-to-talk voice-over button
- Cuing selector to listen to stereo program output, stereo channel cuing, or channel cue in right earcup and program out put in left earcup.
- Individually adjustable levels for program and channel cueing facilities
- Built-in gooseneck XLR light socket
- 45 mm heavy-duty crossfade slider
- 3-band EQ for both mics completely independent of the program graphic EQ. Changes made to the program EQ don't affect your mic EQ and vice versa
- Power on/off switch with LED indicator
- High slew-rate super low-noise op amps are used throughout the entire mixer's circuitry
- 60 mm high-quality studio slide faders are used on all channels and master level control
- Available in 115 v 60 Hz and 220-240 v 50 Hz versions
- Two monitor and program outputs giving extra program outputs for different dance areas as well as providing audio inputs for lighting equipment
- Full easy-to-read stereo metering switchable for Program or Cue

General Description:

The CD MIX™9072A multi-media entertainment mixer is a brand new addition to Peavey's line of premium quality DJ equipment.

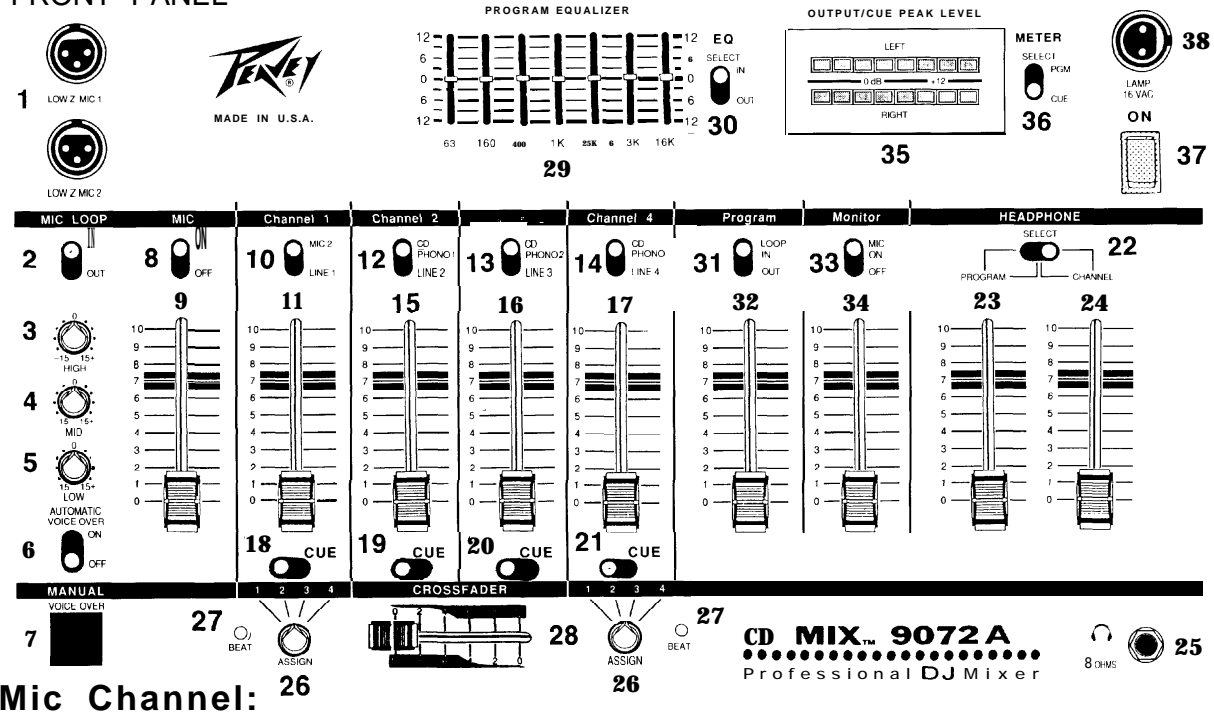
It is an all-American-made, high-quality, rugged, professional DJ mixer. DJs, rap recording artists, and specialist DJ equipment dealers were closely involved in active consultancy throughout each design stage.

Housed in a 1 0-1/2" x 19" super slim-line (only 1-3/4" deep) rugged steel chassis, the CD MIX™ 9072A boasts a truly remarkable array of much-preferred DJ features, including: three individual music channels; seven music inputs, three of these inputs being individually switchable to phono or CD; fully assignable crossfade; seven-band audio EQ; and built-in gooseneck XLR light socket . All slider potentiometers are studio-quality Alps® components.

The two low-impedance, phantom-powered, front-panel-mounted microphone inputs deliver fast, positive connect and disconnect facility for the DJ's mic. Many other DJ mixers have the mic socket mounted on the rear of the mixer chassis so the mixer has to be physically lifted out of the console to work with the mic connection.

Because CDs are playing a much larger part as the preferred DJ music medium, and vinyl is becoming very difficult to obtain, each phono input on this DJ mixer has an individual slide switch that changes the input from vinyl to CD (or back again) quickly and easily. Therefore, as vinyl becomes even more scarce, every phono (record deck) input may also be used for CD players. This method of vinyl/CD selection is unique to the Peavey line of DJ mixers.

FRONT PANEL



Mic Channel: 26

(1) Balanced low Z microphone inputs:

For use with low impedance microphones or low level sources equipped **with** an XLR connector. 15-volt phantom power is provided for electret mics.

(2) Microphone loop select switch:

When the switch is in the out position the microphone loop is bypassed.

(3) High EQ:

An active tone control (shelving range ± 15 dB) that varies the high frequency range.

(4) Mid EQ:

An active tone control (peak/notch ± 12 dB) that adjusts the mid frequency range.

(5) Low EQ:

An active tone control (shelving range ± 15 dB) that varies the low frequency boost or cut.

Note: This EQ governs both microphone inputs but is not routed through the 7-band graphic EQ. It is therefore easy to have the 7-band graphic EQ set up for high-bass-boost without affecting the clarity/tonality of the microphones.

(6) Automatic voice-over switch:

When this switch is in the “on” position, presentation of signals to either of the two microphone inputs, such as announcements, etc., automatically drops the level of the music. Placing this switch in the “off” position defeats this automatic facility.

(7) Voice-over button:

When pressed, this drops the music level enabling the DJ to talk over the music. Press to activate and release to inactivate.

(8) Mic on/off switch:

Mic 1 is “live” when the switch is in the ON position.

(9) Microphone 1 Level Slider:

A mono slider that determines the output level of this microphone channel.

Music/Mic Channels:

(10) Mic 2 or Line selector switch:

Allows selection between Mic 2 or Line 1 inputs. The “LINE” position of this switch selects the line input, and the Mic 2 position selects the Mic 2 input.

(11) Channel 1 Level slider:

A stereo slider that determines the output level of channel 1. This is a dual-function slider, controlling Mic 2 when switch 10 is in the Mic 2 position and Line 1 when switch 10 is in the Line 1 position

(12, 13, 14) Phono/CD or Line selector switch:

Allows selection of phono/CD (L and R) or line (L and R) inputs. The “LINE” position of this switch selects the line input, and the “CD-Phono” position selects the CD/phono input.

(15, 16, 17) Channel Level slider:

A stereo slider that determines the output level of the particular channel.

(18, 19, 20, 21) Cue switches:

When placed in the right-hand position each of these switches routes a channel’s signal to the cue system.

When placed in the left-hand position each these switches routes the channel signal out of the cue system.

Note: Channel 1 cueing is de-selected when the MIC input position is selected.

Headphone/Cue system:

(22) Cue/PGM Select switch:

When placed in the PGM position, this switch delivers headphone monitoring of all stereo program material present at the outputs. The PGM/Cue position delivers monitoring of the program (output) material to the left earcup of the headphones. Material present on the cue bus (see Cue switches [1 2 thru 14]) will be heard in the right earcup of the headphones.

The Cue position delivers cue material, in stereo, to the headphones’ left and right earcups.

(23) Program Headphone Level slider:

Sets PGM sound levels that are available at the headphone socket when program is selected.

(24) Channel Cue Headphone Level slider:

Sets Cue sound levels that are available at the headphone socket when cue is selected.

(25) Headphone jack:

Stereo headphones patched in at this point will allow monitoring of program material or cueing system. Note: Do not use mono headphones with this system.

Crossfader:

(26) Crossfade assign switches:

The left-hand switch assigns channel 1, 2 , 3, or 4 to the left-hand side of the crossfader. The right-hand switch assigns channel 1, 2, or 3 to the right-hand side of the crossfader.

(27) Beat LEDs:

There is an LED positioned to the side of each crossfade assign switch. These LEDs monitor the beat of, and show music activity from, the particular music channel assigned to each side of the crossfader. They enable beat-matching to be carried out visually.

(28) Crossfade slider:

A stereo slider which delivers crossfade capability between channels 1, 2, 3, or 4 according to the position of the two crossfade assign switches.

Blending and crossfading between all channels is accessible by assigning channels 1, 2, 3, or 4 for left- and right-hand positioning of the crossfade slider.

For example:

Left-hand ASSIGN switch set to channel #3 will access channel 3 when the crossfade slider is in the left-hand position.

Right-hand ASSIGN switch set to channel #2 will access channel 2 when the crossfade slider is in the right-hand position.

NOTE: It is useful to remember that when the crossfade slider is set to its center (number 5) position both channels assigned to the left- and right-hand crossfade positions will be at equal levels. You may then simply use the channel level controls to crossfade between the two assigned channels and ignore the crossfade, leaving it set in the center position. This is a more "European" technique of crossfading and is preferred by some DJs.

(29) 7-band EQ:

Used to boost or cut seven selected frequency bands according to the placement of the seven slide potentiometers.

(30) EQ in/out switch:

When the switch is in the out position the 7-band EQ is bypassed.

(31) Program loop in/out switch:

When the switch is in the out position the program loop is bypassed.

(32) Program Master level:

A stereo slider that determines the overall program level from music channels 1, 2, 3, 4, and the microphone channel.

(33) Mic-to-monitor on/off switch:

When the switch is in the off position the microphones' signals are not fed through the monitor system. This is to enable in-booth program material to be played and cued without feedback from the booth microphones.

When the switch is in the on position the microphones' signals are fed through the monitor system. In this way the monitor facility can be used to set the levels for a second music zone, e.g. a second dance floor or background level for another zone, instead of being used for monitoring in the DJ booth.

(34) Monitor Master level:

A stereo slider that determines the overall monitor level from channels 1, 2, 3, 4, and the microphone channel.

(35) LED arrays (left and right):

Two calibrated, LED arrays are provided to visually indicate program output levels.

(36) Meter select switch:

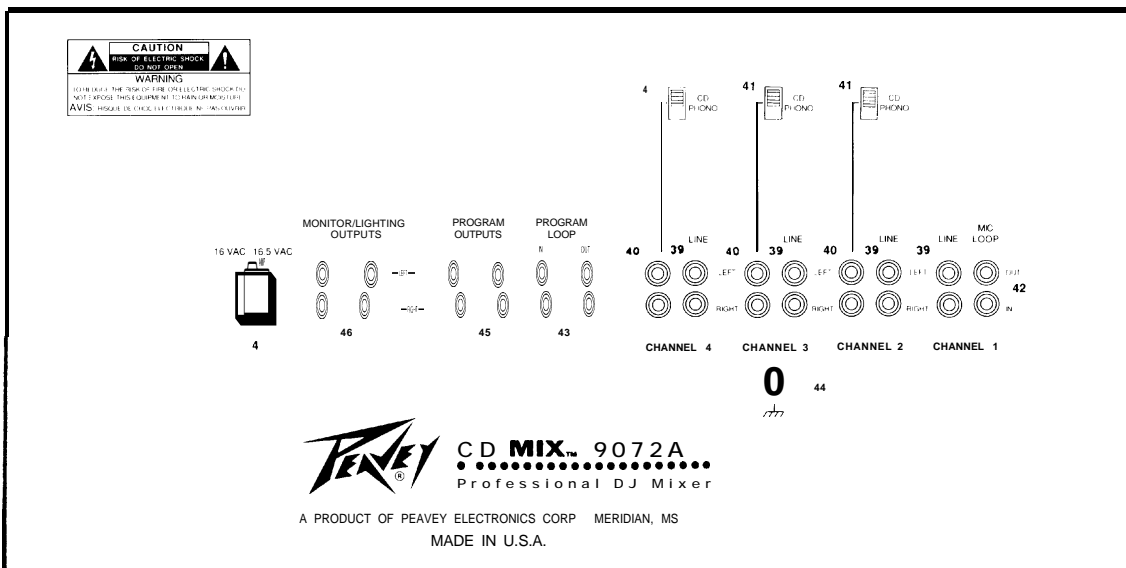
The cue position of this switch places the stereo LED array on the output of the cue system. The PGM position places the stereo LED array on the program output.

(37) Power switch:

Depress to the “On” position to turn the unit on.

(38) Lamp:

A 2-pin XLR jack is provided for connecting an optional gooseneck mixer lamp for illumination in adverse lighting conditions. Peavey accessory lamp number ML-3 is a suitable gooseneck mixer lamp for this purpose.



REAR PANEL

Channel Inputs:

(39) Line inputs:

Left and right inputs are provided for “line level” signals from tape decks, CDs, or other sources. See also (12, 13, 14) PHONO/LINE selector switch.

(40) CD/Phono inputs:

Left and right inputs are provided for output from turntables or CDs, depending on position of the CD/Phono switch **(41)** on each channel. See also **(12, 13, 14)** Phono/Line selector switch.

(41) CD/Phono switch:

Selects the CD/Phono inputs to accept input from either a magnetic phono cartridge (Phono [switch down] position) or a compact disk or other line source (CD [switch up] position).

(42) Mic Loop - send and return:

Send and return jacks are provided for mono patching of external effects devices, graphic equalizers, or other signal processing devices at the microphone channel.

(43) Program Loop - send and return:

Send and return jacks are provided for stereo patching of external effects devices, graphic equalizers, or other signal processing devices to the program and monitor channels.

(44) Chassis ground lug:

Grounds from other pieces of equipment should be connected at this point to minimize ground loop possibilities between power amps, outboard signal processing units, turntables, etc.

Program outputs:**(45) Program outputs:**

Two main output left and right jacks are provided for the main (program) output. The outputs at this point should be patched out to the stereo power amplifiers driving the main speaker system. The second pair of outputs may be used to drive lighting controllers or for tape recording if required.

(46) Monitor outputs:

Two main output left and right jacks are provided for monitoring purposes. The outputs at this point should be patched out to the stereo power amplifiers driving the monitor speaker system.

Note: It is often useful to use the monitor outputs to drive an independent sound system for another audio zone such as a second dance floor or background music elsewhere within the venue.

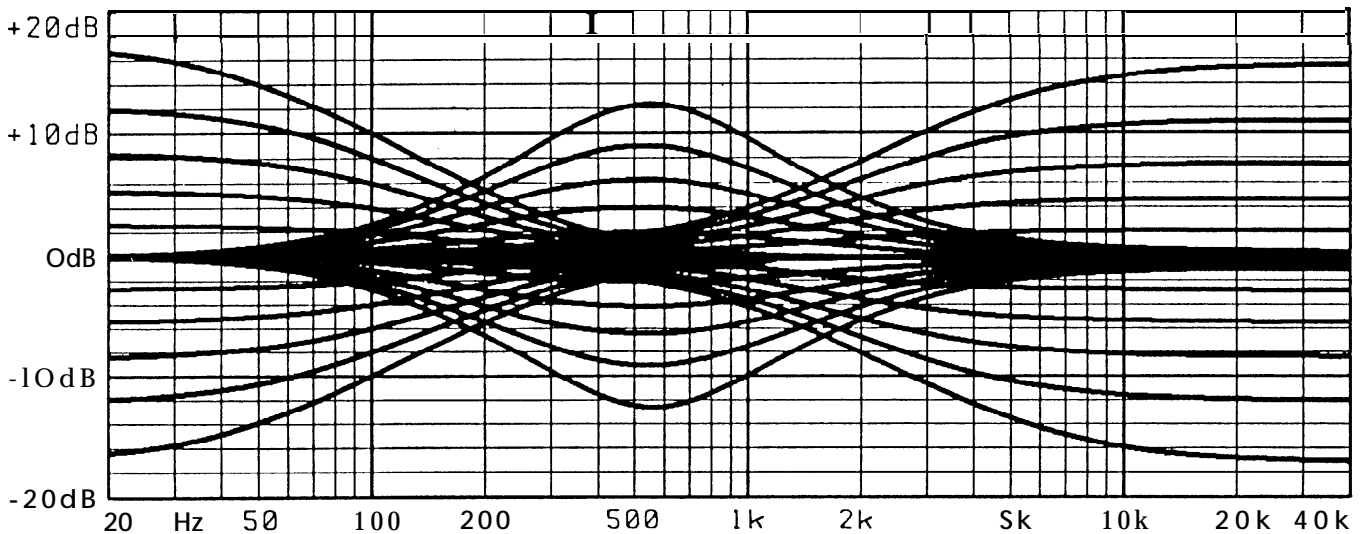
The second pair of monitor outputs may also be used to drive lighting controllers or for tape recording if required.

Power input:

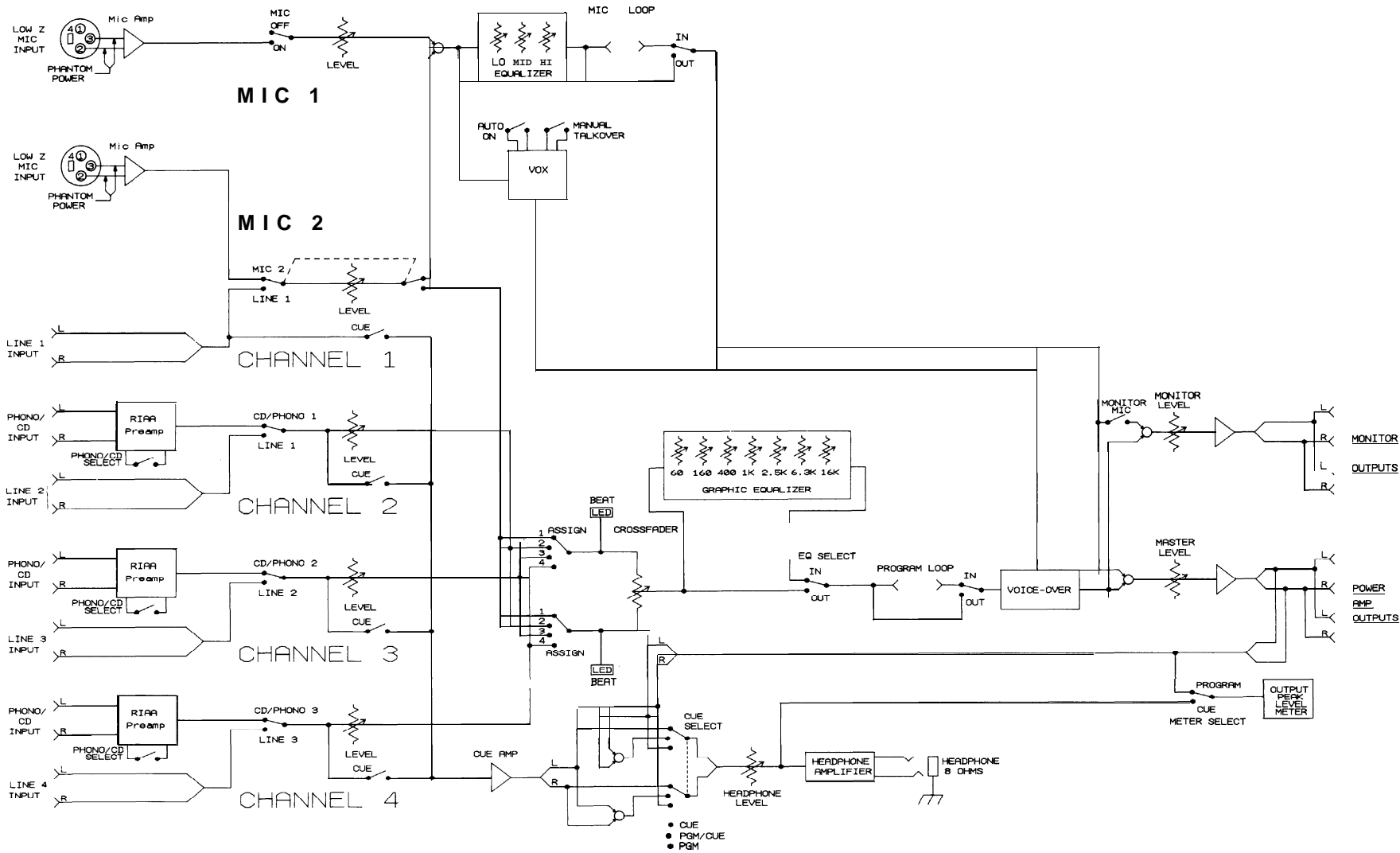
(47) AC Input:

External 16.5 Volt, 1 amp power supply should be plugged in at this point. Plug the small jack at the end of the power supply lead into the 16 VAC socket on the rear of the unit (47). Then plug the power supply provided with your CD MIX 9072A into a main AC wall power receptacle.

CAUTION: Use only the power supply that is provided with this product. If the original power supply must be replaced, consult your dealer or the factory for assistance in obtaining the correct replacement. Failure to use the correct power supply could result in fire or shock hazard, extensive circuit damage, decreased performance, or non-operation.



EQ Frequency and Gain Characteristics



CD MIX™ 9072A SPECIFICATIONS:

SUMMARY OF FUNCTIONS:

7 Stereo inputs – 3 CD/phono and 4 line
4-way assignable crossfade
1 Microphone mixing bus with manual music over-ride switch, 3-band EQ, and automatic voice-over facility with on/off switch
1 O-segment LED ladders
Switchable stereo headphone jack
15 V phantom power for electret mics
7-band program EQ ± 12 dB
45 mm stereo crossfade slider
One 12 VAC mixer lamp socket

MICROPHONE AND CHANNEL 1 FUNCTIONS:

Two low Z balanced microphone inputs with phantom power
3-band EQ
Automatic voice-over switch
Manual voice-over button
Mic On/Off switch (Mic 1)
Mic/Line switch (Mic 2)
60 mm stereo level sliders
Effects loop in/out switch
Cue switch for Line input

CHANNELS 2-4 FUNCTIONS (Each Channel):

Stereo (RIAA) phono input switchable to CD
Stereo line input
CD/phono selector switch
Stereo selector switch for line input or CD/phono input
60 mm stereo level slider
Independent cue switch for each channel

MASTER SECTION:

7-band graphic equalizer
Stereo 1 O-segment LED display
60 mm stereo program level slider

MONITOR SECTION:

Mic On/Off switch
60 mm stereo monitor level slider

CUE SECTION:

Cue Headphone level
Program Headphone level
Cue/Program Headphone selector switch

CD/PHONO INPUTS:

Phono position:

Input Sensitivity: -50 dB (3 mV)

Input Impedance: 47K ohms

Max Input Level @1kHz: -20 dBV (100 mV)

CD position:

Input Sensitivity: -10 dB (.316 Volts)

Input Impedance: 47K ohms

Max Input Level: +18 dBV (8 Volts)

LINE INPUTS:

Input Sensitivity: -10 dB (.316 Volts)

Input Impedance: 8.3K ohms

Max Input Level: +18 dBV (8 Volts)

MICROPHONE INPUTS (LOW-Z):

Input Sensitivity: -70 dB (.3mV)

Input Impedance: 3K ohms

Max Input Level: +6 dBV (2 Volts)

MICROPHONE TALKOVER:

Attenuation (voice-over switch enabled or automatic voice-over enabled):
12dB

FREQUENCY RESPONSE:

Phono Inputs (RIAA): +0/-3 dB (20 Hz to 20 kHz)

Line Inputs: +0/-3 dB (20 Hz to 20 kHz)

Headphone: +0/-3 dB (40 Hz to 20 kHz)

SIGNAL-TO-NOISE RATIOS:

Phono: > 70 dB

Line: > 90 dB

DISTORTION:

Less than .01%

EQUALIZATION:

63.. ±12 dB at 63 Hz _

160: ±12 dB at 160 Hz

400: ±12 dB at 400 Hz

1K: ±12 dB at 1 kHz

2.5K: ±12 dB at 2.5 kHz

6.3K: ±12 dB at 6.3 kHz

16K: ±12 dB at 16 kHz

MICROPHONE EQ:

Low: ±15 dB at 50 Hz

Mid: ±12 dB at 600 Hz

Hi: ±15 dB at 10 kHz

MAX OUTPUT LEVEL:

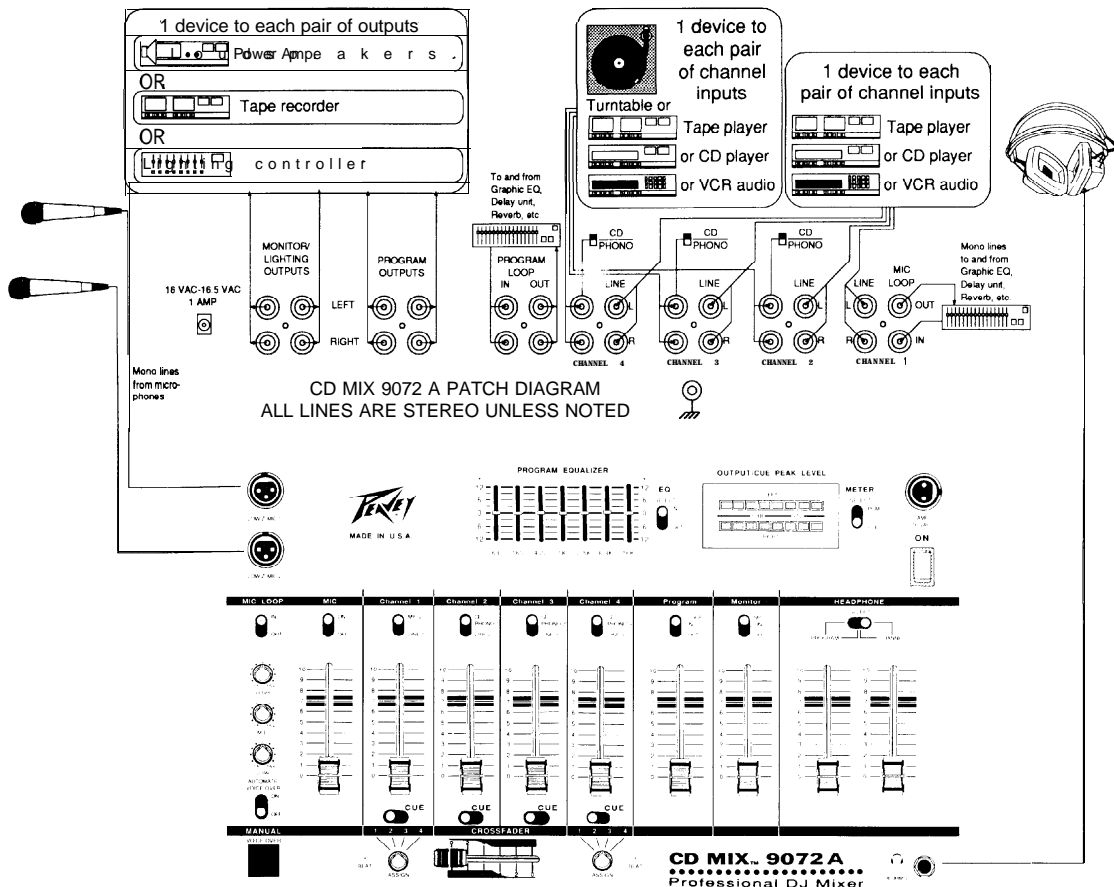
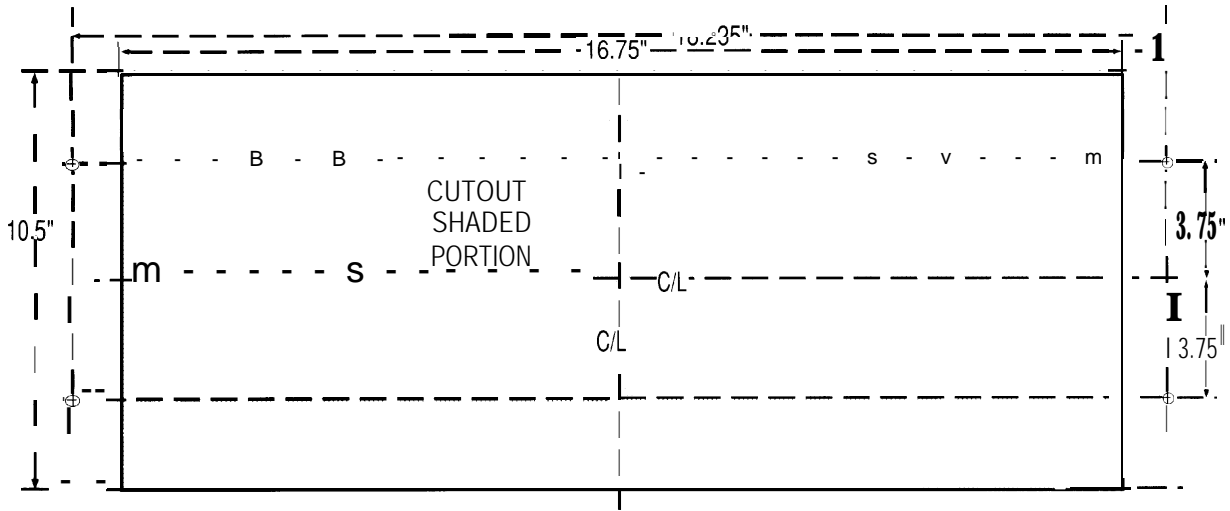
+ 15.5 dBV (6 Volts)

POWER REQUIREMENTS:

16.5 VAC, 1000 ma external power supply

Installing the unit:

This mixer may be mounted in a standard 19" equipment rack using 19" rack-mounting screws and washers (Peavey accessory part #5003), or may be built into the surface of a DJ console by cutting a hole 16.75" x 10.5" and using screws to secure the unit. See diagram below for dimensions.



IMPORTANT SAFETY INSTRUCTIONS

WARNING: When using electric products, basic cautions should always be followed, including the following.

Read all safety and operating instructions before using this product.

2. All safety and operating instructions should be retained for future reference.
3. Obey all cautions in the operating instructions and on the back of the unit.
All operating instructions should be followed.
5. This product should not be used near water, i.e., a bathtub, sink, swimming pool, wet basement, etc.
6. This product should be located so that its position does not interfere with its proper ventilation. It should not be placed flat against a wall or placed in a built-in enclosure that will impede the flow of cooling air.
7. This product should not be placed near a source of heat such as a stove, radiator, or another heat producing amplifier.
8. Connect only to a power supply of the type marked on the unit adjacent to the power supply cord.
9. Never break off the ground pin on the power supply cord. For more information on grounding, write for our free booklet "Shock Hazard and Grounding."
10. Power supply cords should always be handled carefully. Never walk or place equipment on power supply cords. Periodically check cords for cuts or signs of stress, especially at the plug and the point where the cord exits the unit.
11. The power supply cord should be unplugged when the unit is to be unused for long periods of time.
12. If this product is to be mounted in an equipment rack, rear support should be provided.
13. Metal parts can be cleaned with a damp rag. The vinyl covering used on some units can be cleaned with a damp rag or an ammonia-based household cleaner if necessary. Disconnect unit from power supply before cleaning.
14. Care should be taken so that objects do not fall and liquids are not spilled into the unit through the ventilation holes or any other openings.
15. This unit should be checked by a qualified service technician if:
 - a. The power supply cord or plug has been damaged.
 - b. Anything has fallen or been spilled into the unit.
 - c. The unit does not operate correctly.
 - d. The unit has been dropped or the enclosure damaged.
16. The user should not attempt to service this equipment. All service work should be done by a qualified service technician.
17. This product should be used only with a cart or stand that is recommended by Peavey Electronics.
18. Exposure to extremely high noise levels may cause a permanent hearing loss. Individuals vary considerably in susceptibility to noise induced hearing loss, but nearly everyone will lose some hearing if exposed to sufficiently intense noise for a sufficient time.
The U.S. Government Occupational Safety and Health Administration (OSHA) has specified the following permissible noise level exposures.

| Duration Per Day In Hours | Sound Level dBA, Slow Response |
|---------------------------|--------------------------------|
| 8 | 90 |
| 6 | 92 |
| 4 | 95 |
| 3 | 97 |
| 2 | 100 |
| 1 1/2 | 102 |
| | 105 |
| 1/2 | 110 |
| 1/4 or less | 115 |

According to OSHA, any exposure in excess of the above permissible limits could result in some hearing loss. Ear plugs or protectors in the ear canals or over the ears must be worn when operating this amplification system in order to prevent a permanent hearing loss if exposure is in excess of the limits as set forth above. To ensure against potentially dangerous exposure to high sound pressure levels, it is recommended that all persons exposed to equipment capable of producing high sound pressure levels such as this amplification system be protected by hearing protectors while this unit is in operation.

SAVE THESE INSTRUCTIONS!

THIS LIMITED WARRANTY VALID ONLY WHEN PURCHASED AND REGISTERED IN THE UNITED STATES OR CANADA. ALL EXPORTED PRODUCTS ARE SUBJECT TO WARRANTY AND SERVICES TO BE SPECIFIED AND PROVIDED BY THE AUTHORIZED DISTRIBUTOR FOR EACH COUNTRY.

Ces clauses de garantie ne sont valables qu'aux Etats-Unis et au Canada. Dans tous les autres pays, les clauses de garantie et de maintenance sont fixées par le distributeur national et assurées par lui selon la législation en vigueur.

Diese Garantie ist nur in den USA und Kanada gültig. Alle Export-Produkte sind der Garantie und dem Service des Importeurs des jeweiligen Landes unterworfen. Esta garantía es válida solamente cuando el producto es comprado en E.U. continentales o en Canada. Todos los productos que sean comprados en el extranjero, están sujetos a las garantías y servicio que cada distribuidor autorizado determine y ofrezca en los diferentes países.

PEAVEY ONE-YEAR LIMITED WARRANTY/REMEDY

PEAVEY ELECTRONICS CORPORATION ("PEAVEY") warrants this product, EXCEPT for covers, footswitches, patchcords, tubes and meters, to be free from defects in material and workmanship for a period of one (1) year from date of purchase. PROVIDED, however, that this limited warranty is extended only to the original retail purchaser and is subject to the conditions, exclusions, and limitations hereinafter set forth:

PEAVEY 90-DAY LIMITED WARRANTY ON TUBES AND METERS

If this product contains tubes or meters Peavey warrants the tubes or meters contained in the product to be free from defects in material and workmanship for a period of ninety (90) days from date of purchase; PROVIDED, however, that this limited warranty is extended only to the original retail purchaser and is also subject to the conditions, exclusions, and limitations hereinafter set forth

CONDITIONS, EXCLUSIONS, AND LIMITATIONS OF LIMITED WARRANTIES

These limited warranties shall be void and of no effect if:

- a. The first purchase of the product is for the purpose of resale, or
- b. The original retail purchase is not made from an AUTHORIZED PEAVEY DEALER; or
- c. The product has been damaged by accident or unreasonable use, neglect, improper service or maintenance, or other causes not arising out of defects in material or workmanship, or
- d. The serial number affixed to the product is altered, defaced, or removed.

In the event of a defect in material and/or workmanship covered by this limited warranty, Peavey will

- a. In the case of tubes or meters replace the defective component without charge
- b. In other covered cases (i.e., cases involving anything other than covers, footswitches, patchcords, tubes or meters), repair the defect in material or workmanship or replace the product, at Peavey's option, and provided, however, that, in any case, all costs of shipping, if necessary, are paid by you, the purchaser.

THE WARRANTY REGISTRATION CARD SHOULD BE ACCURATELY COMPLETED AND MAILED TO AND RECEIVED BY PEAVEY WITHIN FOURTEEN (14) DAYS FROM THE DATE OF YOUR PURCHASE.

In order to obtain service under these warranties, you must:

- a. Bring the defective item to any PEAVEY AUTHORIZED DEALER or AUTHORIZED PEAVEY SERVICE CENTER and present therewith the ORIGINAL PROOF OF PURCHASE supplied to you by the AUTHORIZED PEAVEY DEALER in connection with your purchase from him of this product. If the DEALER or SERVICE CENTER is unable to provide the necessary warranty service you will be directed to the nearest other PEAVEY AUTHORIZED DEALER or AUTHORIZED PEAVEY SERVICE CENTER which can provide such service.

OR

- b. Ship the defective item, prepaid, to:

PEAVEY ELECTRONICS CORPORATION
International Service Center
326 Hwy. 11 & 80 East
MERIDIAN, MS 39301

Including therewith a complete, detailed description of the problem, together with a legible copy of the original PROOF OF PURCHASE and a complete return address. Upon Peavey's receipt of these items

If the defect is remedial under these limited warranties and the other terms and conditions expressed herein have been complied with, Peavey will provide the necessary warranty service to repair or replace the product and will return it, FREIGHT COLLECT, to you, the purchaser.

Peavey's liability to the purchaser for damages from any cause whatsoever and regardless of the form of action, including negligence, is limited to the actual damages up to the greater of \$500.00 or an amount equal to the purchase price of the product that caused the damage or that is the subject of or is directly related to the cause of action. Such purchase price will be that in effect for the specific product when the cause of action arose. This limitation of liability will not apply to claims for personal injury or damage to real property or tangible personal property allegedly caused by Peavey's negligence. Peavey does not assume liability for personal injury or property damage arising out of or caused by a non-Peavey alteration or attachment, nor does Peavey assume any responsibility for damage to interconnected non-Peavey equipment that may result from the normal functioning and maintenance of the Peavey equipment.

UNDER NO CIRCUMSTANCES WILL PEAVEY BE LIABLE FOR ANY LOST PROFITS, LOST SAVINGS, ANY INCIDENTAL DAMAGES, OR ANY CONSEQUENTIAL DAMAGES ARISING OUT OF THE USE OR INABILITY TO USE THE PRODUCT, EVEN IF PEAVEY HAS BEEN ADVISED OF THE POSSIBILITY OF SUCH DAMAGES.

THESE LIMITED WARRANTIES ARE IN LIEU OF ANY AND ALL WARRANTIES, EXPRESSED OR IMPLIED, INCLUDING, BUT NOT LIMITED TO, THE IMPLIED WARRANTIES OF MERCHANTABILITY AND FITNESS FOR A PARTICULAR USE, PROVIDED, HOWEVER, THAT IF THE OTHER TERMS AND CONDITIONS NECESSARY TO THE EXISTENCE OF THE EXPRESSED, LIMITED WARRANTIES, AS HEREIN ABOVE STATED, HAVE BEEN COMPLIED WITH, IMPLIED WARRANTIES ARE NOT DISCLAIMED DURING THE APPLICABLE ONE-YEAR OR NINETY-DAY PERIOD FROM DATE OF PURCHASE OF THIS PRODUCT.

SOME STATES DO NOT ALLOW LIMITATION ON HOW LONG AN IMPLIED WARRANTY LASTS, OR THE EXCLUSION OR LIMITATION OF INCIDENTAL OR CONSEQUENTIAL DAMAGES, SO THE ABOVE LIMITATIONS OR EXCLUSIONS MAY NOT APPLY TO YOU THESE LIMITED WARRANTIES GIVE YOU SPECIFIC LEGAL RIGHTS, AND YOU MAY ALSO HAVE OTHER RIGHTS WHICH MAY VARY FROM STATE TO STATE.

THESE LIMITED WARRANTIES ARE THE ONLY EXPRESSED WARRANTIES ON THIS PRODUCT, AND NO OTHER STATEMENT, REPRESENTATION, WARRANTY, OR AGREEMENT BY ANY PERSON SHALL BE VALID OR BINDING UPON PEAVEY.

In the event of any modification or disclaimer of expressed or implied warranties, or any limitation of remedies, contained herein conflicts with applicable law, then such modification, disclaimer or limitation, as the case may be, shall be deemed to be modified to the extent necessary to comply with such law.

Your remedies for breach of these warranties are limited to those remedies provided herein and Peavey Electronics Corporation gives this limited warranty only with respect to equipment purchased in the United States of America.

INSTRUCTIONS - WARRANTY REGISTRATION CARD

1. Mail the completed WARRANTY REGISTRATION CARD to:

PEAVEY ELECTRONICS CORPORATION
POST OFFICE BOX 2898
MERIDIAN, MISSISSIPPI 39302-2898

- a. Keep the PROOF OF PURCHASE. In the event warranty service is required during the warranty period, you will need this document. There will be no identification card issued by Peavey Electronics Corporation.
2. IMPORTANCE OF WARRANTY REGISTRATION CARDS AND NOTIFICATION OF CHANGES OF ADDRESSES:
 - a. Completion and mailing of WARRANTY REGISTRATION CARDS - Should notification become necessary for any condition that may require correction, the REGISTRATION CARD will help ensure that you are contacted and properly notified.
 - b. Notice of address changes - If you move from the address shown on the WARRANTY REGISTRATION CARD, you should notify Peavey of the change of address so as to facilitate your receipt of any bulletins or other forms of notification which may become necessary in connection with any condition that may require dissemination of information or correction.
3. You may contact Peavey directly by telephoning (601) 483-5365.



Features and specifications subject to change without notice.