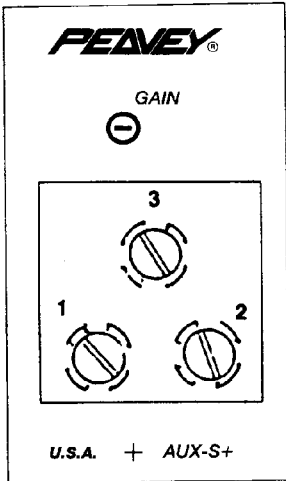




# MA™ SERIES MODULE AUX™-S+

Auxiliary Preamp Module With Screw Terminals And Muting



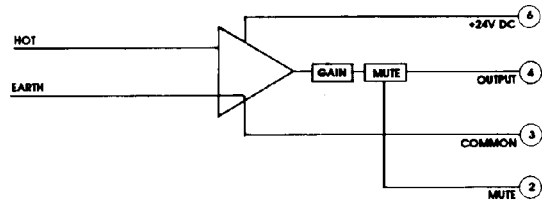
Controls overall output level of the module

Screw terminal input panel. Terminal no. 3 is positive.

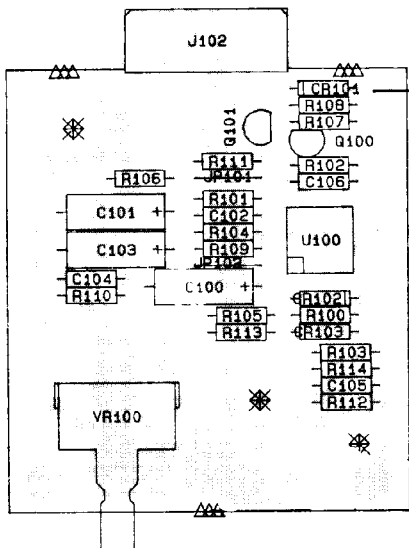
Terminals 2 and 1 are ground.

## INSTALLATION:

The module installs at the rear panel of products accepting the standard 6-pin card-edge module connection. Align card-edge connector with top and bottom circuit board guides. Snap module into card-edge socket, push flush with rear panel and install (furnished) mounting screws.



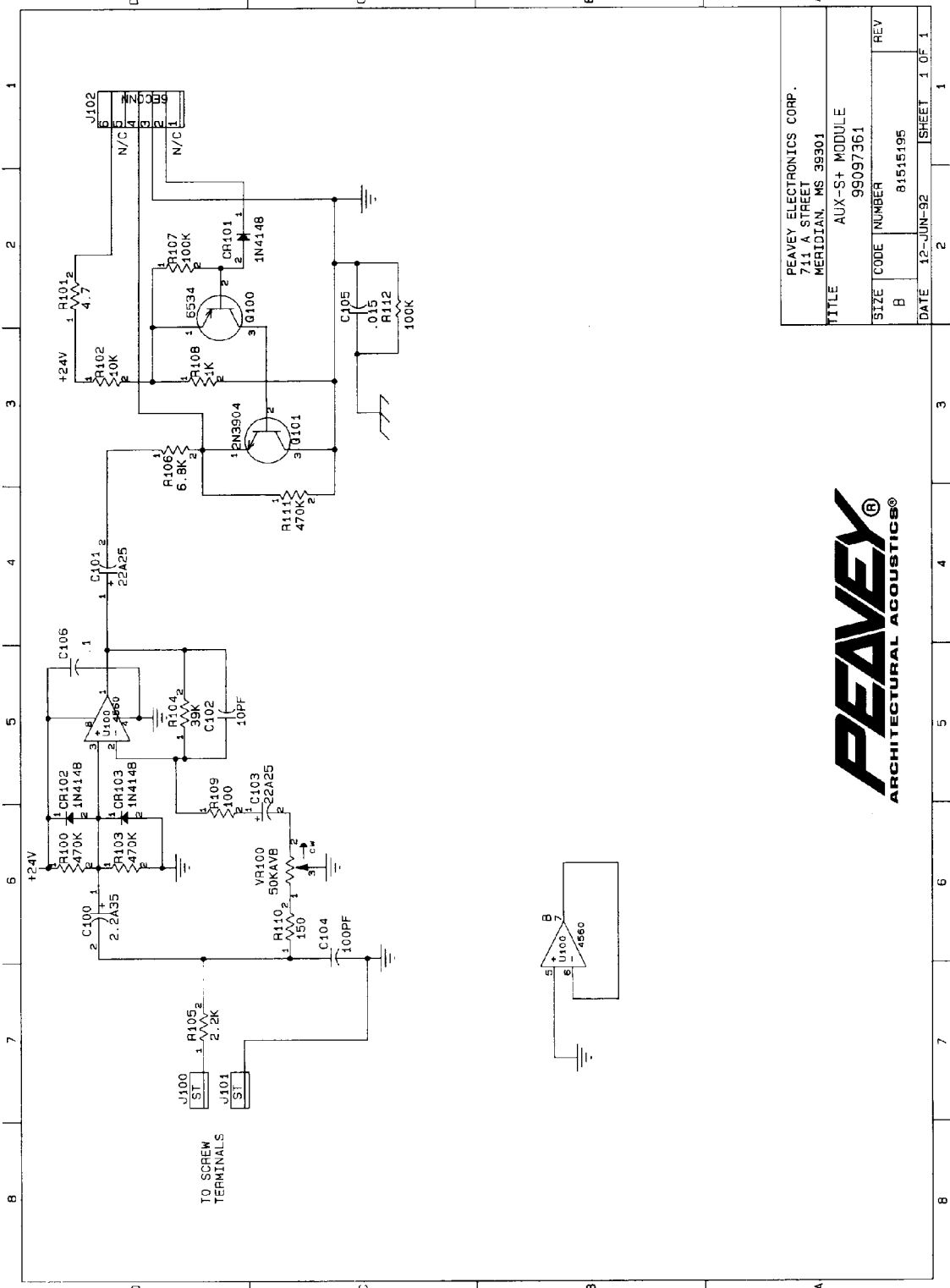
## BLOCK DIAGRAM



To defeat muting capabilities clip this diode.

## SPECIFICATIONS:

- Gain:** +40 dB to -30 dB
- Input Sensitivity:** 1 mV - 3.2V
- Frequency Response:** 20 Hz to 20 kHz  $\pm$ .5 dB
- S/N Ratio:** 90 dB
- Muting Level:** 60 dB
- Power:** +24V DC
- Control:** Gain
- Mounting:** Edge card connector
- Weight:** 2.7 oz.
- Dimensions:** 3.07" H x 1.38" W x 3.46" D
- Load Impedance:** 10K ohm



PEAVEY ELECTRONICS CORP. 711 A STREET MERIDIAN, MS 39301	
TITLE AUX-S+ MODULE	
SIZE B	CODE NUMBER 99097361
REV	81515195
DATE 12-JUN-92	SHEET 1 OF 1



Features and specifications subject to change without notice.

A Division of Peavey Electronics Corporation  
 711 A Street / Meridian, MS 39301 / U.S.A. / (601) 483-5376 / Telex 504115 / Fax 486-1278  
 #80301698  
 ©1992

Printed in U.S.A. R/92