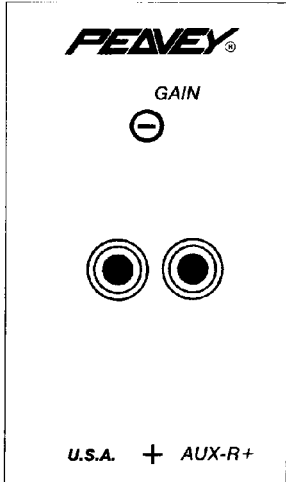




MA™ SERIES MODULE AUX™-R+

Auxiliary Preamp Module With RCA Phono
Jacks and Muting

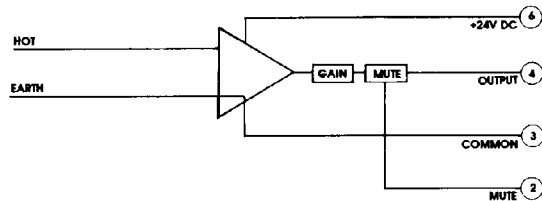


Controls overall output level of the module

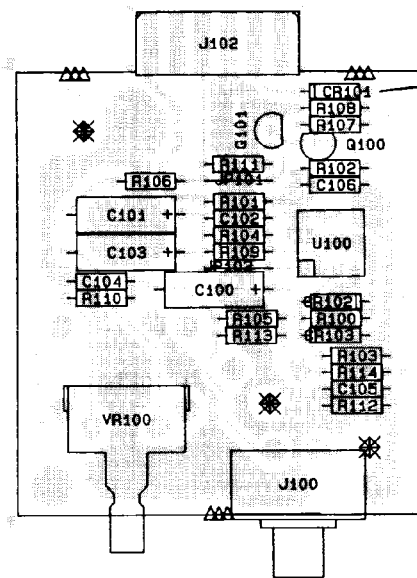
Dual RCA signal input jacks (summed)

INSTALLATION:

The module installs at the rear panel of products accepting the standard 6-pin card-edge module connection. Align card-edge connector with top and bottom circuit board guides. Snap module into card-edge socket, push flush with rear panel and install (furnished) mounting screws.



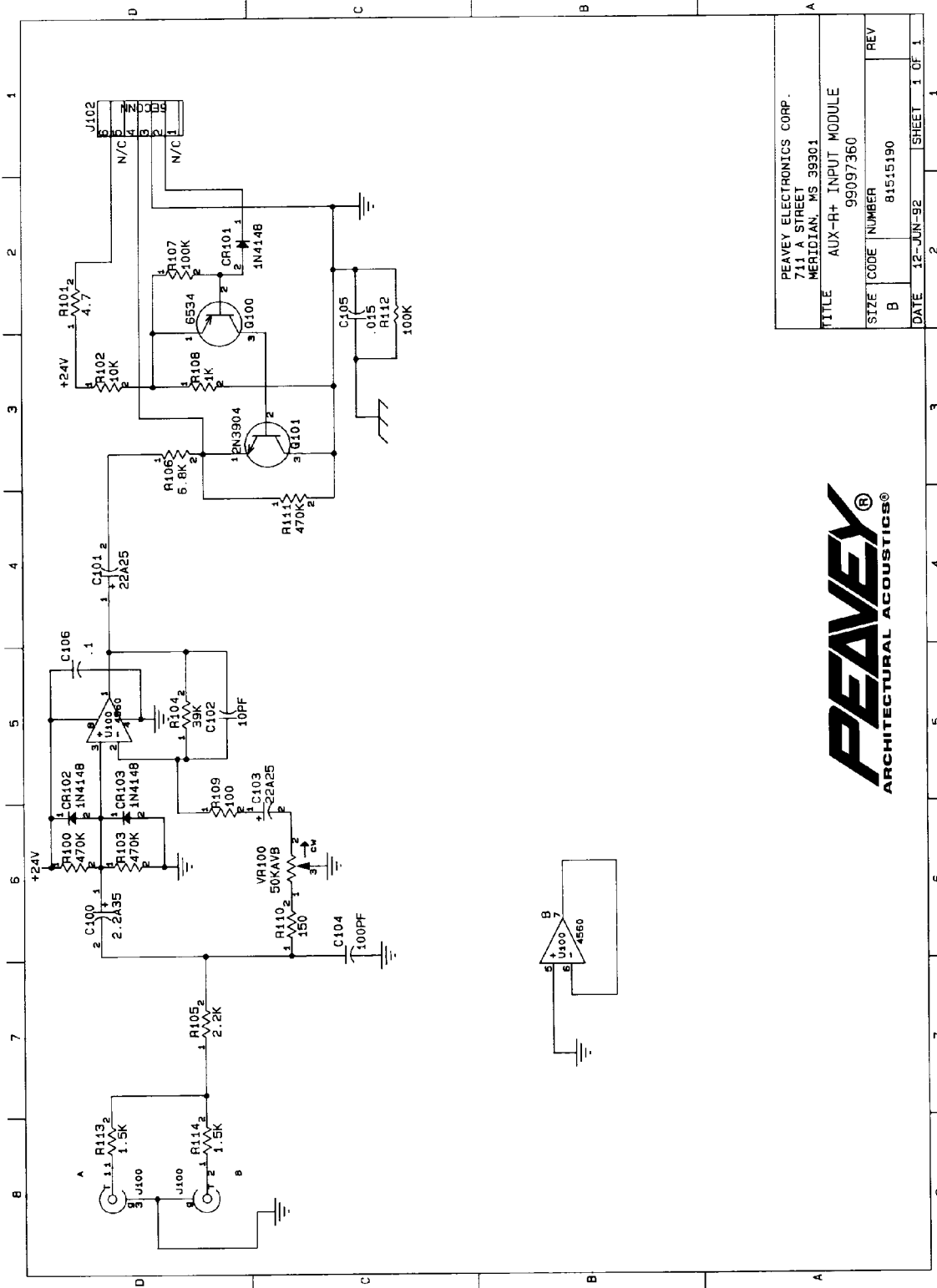
BLOCK DIAGRAM



To defeat muting capabilities clip this diode.

SPECIFICATIONS:

- Gain:** +40 dB to -30 dB
- Input Sensitivity:** 1 mV - 3.2V
- Frequency Response:** 20 Hz to 20 kHz \pm 5 dB
- S/N Ratio:** 90 dB
- Muting Level:** 60 dB
- Power:** +24V DC
- Control:** Gain
- Mounting:** Edge card connector
- Weight:** 2.7 oz.
- Dimensions:** 3.07" H x 1.38" W x 3.46" D
- Load Impedance:** 10K ohm



PEAVEY ELECTRONICS CORP. 711 A STREET MERIDIAN, MS 39301	
TITLE AUX-HH INPUT MODULE	
SIZE	REV
B	81515190
DATE	SHEET
12-JUN-92	1 OF 1



Features and specifications subject to change without notice.

A Division of Peavey Electronics Corporation
 711 A Street, P. O. Box 2898, Meridian, MS 39302-2898 / (601) 483-5376 / Telex: 504115 / Fax: (601) 486-1278
 #80301699 Printed in U.S.A. 8/93

©1993