

PEAVEY ELECTRONICS

PVM™ 45i **Unidirectional** **Dynamic** **Microphone**

SPECIFICATIONS

Element Type:

Dynamic (with Hum Compensation Coil)

Polar Pattern:

Hypercardioid

Impedance:

Low (300 ohms $\pm 20\%$)

Frequency Response:

40 to 16,000 Hz

Sensitivity:

Output Power Level

-56 dB (0 dB = 1 mW/10 microbar*)

Open Circuit Voltage

-75.5 dB (0 dB = 1 V/microbar*)

Hum Induction:

Equivalent to 9.0 dB SPL

(Hum output of microphone in a 1 millioersted hum field is equal to its output from a 9.0 dB SPL acoustic source)

Case (Housing):

Black solid metal

Windscreen:

Brazed steel mesh with dual integral foam pop filters

Connector:

3-pin XLR

Weight:

7 oz. (198.5 grams)

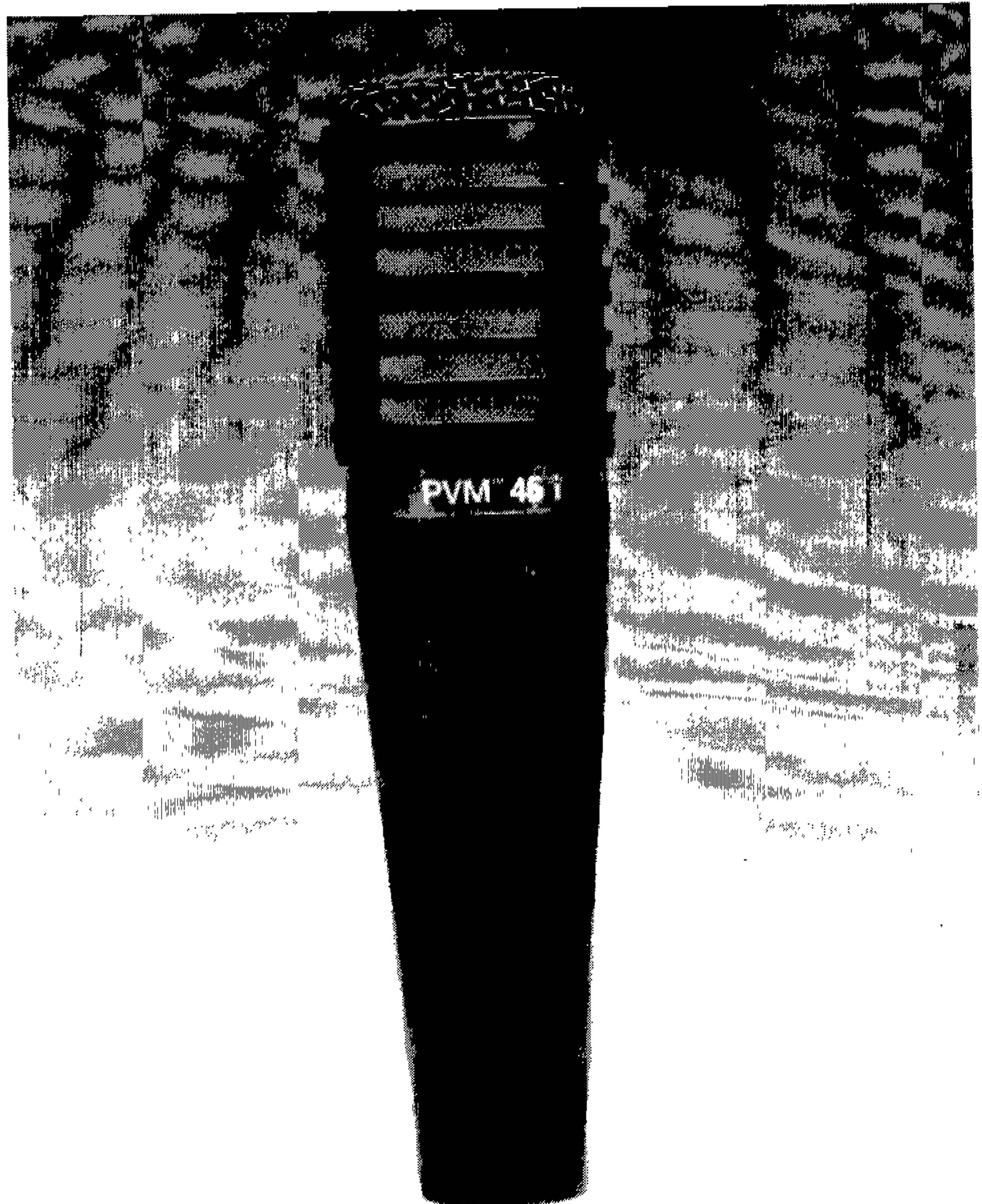
Furnished Accessories:

Swivel adaptor, foam windscreen, and soft carrying pouch

*10 microbars = 1 pascal = 10 dynes/cm²

FEATURES

- Well balanced, very clean reproduction
- Very low stand and stage noise
- Uniform hypercardioid polar response
- Hum-bucking coil to minimize induced electrical noise



- Very rugged construction
- External windscreen, stand adaptor and soft carrying pouch supplied

DESCRIPTION

The PVM™ 45i is a slender unidirectional dynamic microphone which is ideally suited for instrumental pick-up and a host of other assignments.

The wide, well balanced frequency response assures natural and very clean sound reproduction of almost any source — and no matter how loud.

The directional characteristic of the PVM 45i is a very uniform hypercardioid pattern. This particular pattern is extremely effective in rejecting "bleed" from nearby sources and selectively preventing feedback or coloration from monitors.

PEAVEY®

The carefully tuned internal shock suspension minimizes mechanical stand and stage noise.

With its heavy duty, all metal housing, the PVM™ 45i is extremely rugged — as any stage microphone must be. Even errant drum strokes will just be shrugged off!

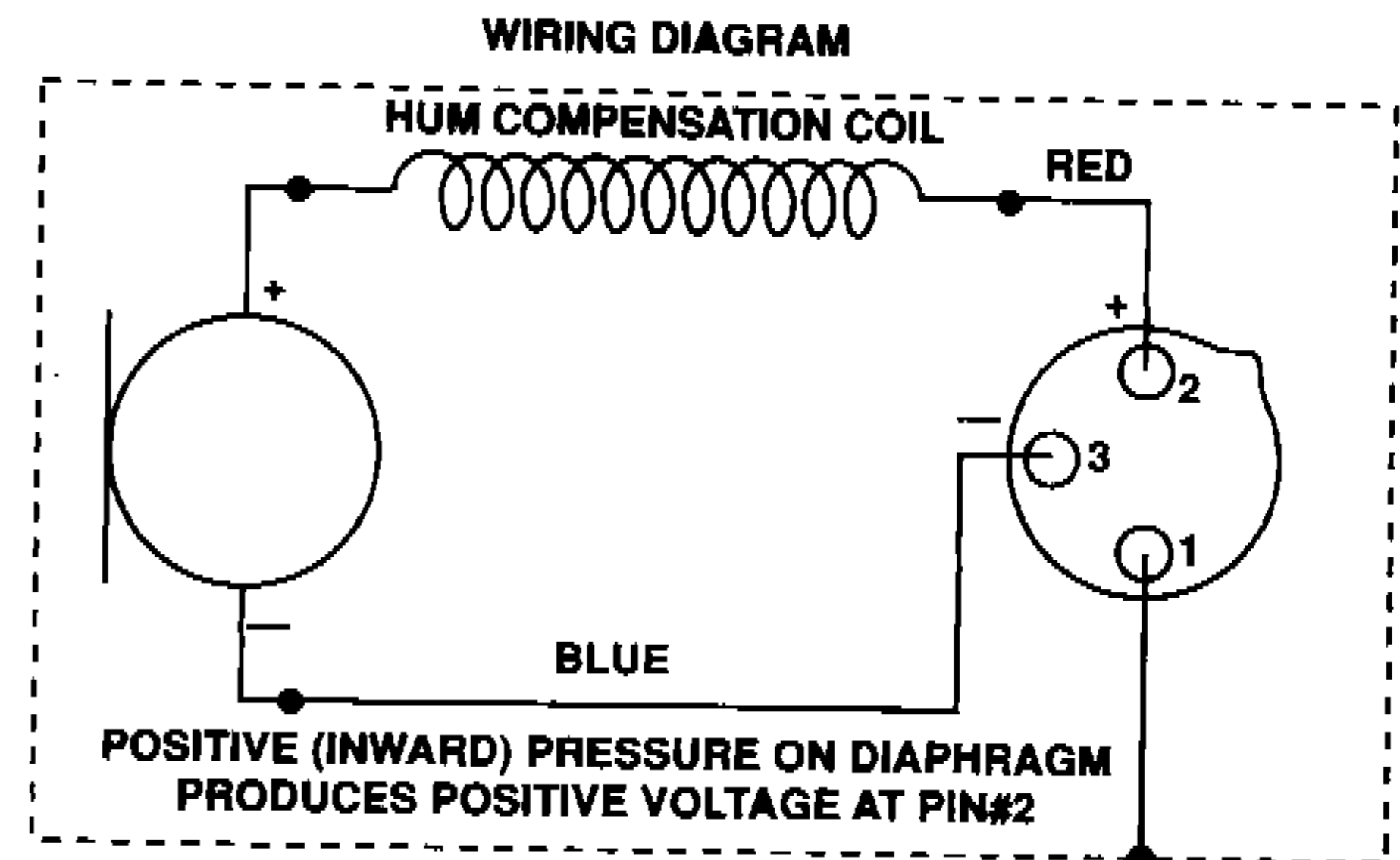
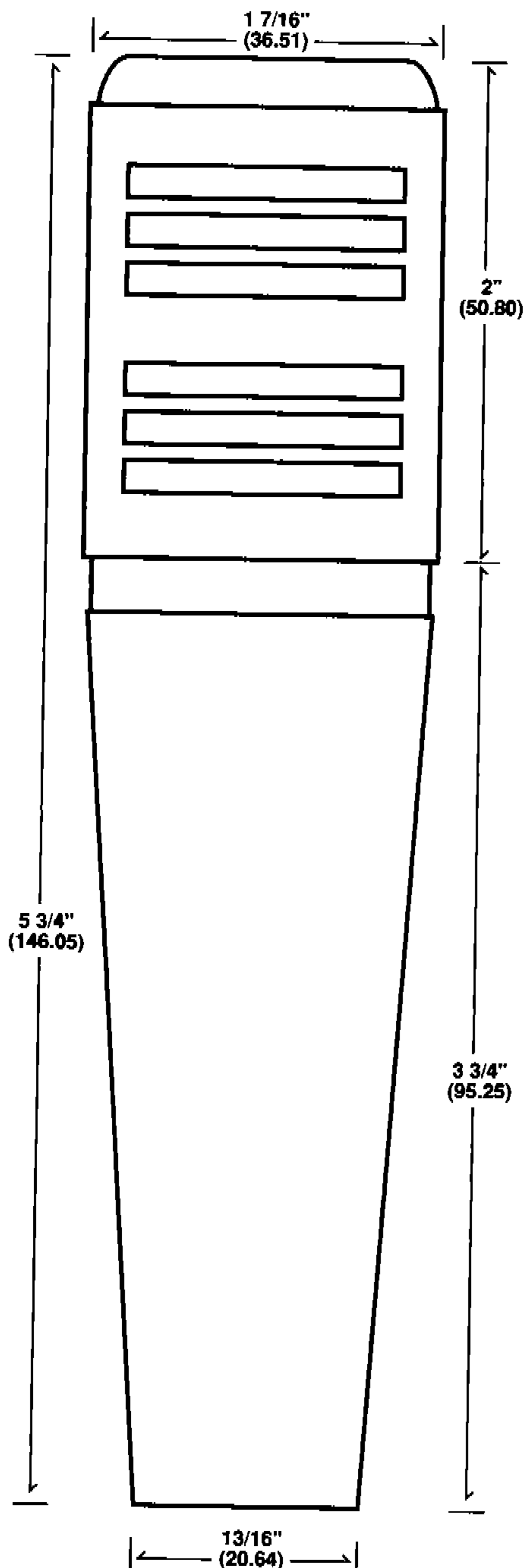
With its slender profile, extreme ruggedness and great sound, the PVM 45i is uniquely equipped to handle a variety of jobs — from drum kits or speaker cabinets to lecterns and podiums.

ARCHITECTURAL & ENGINEERING SPECIFICATIONS

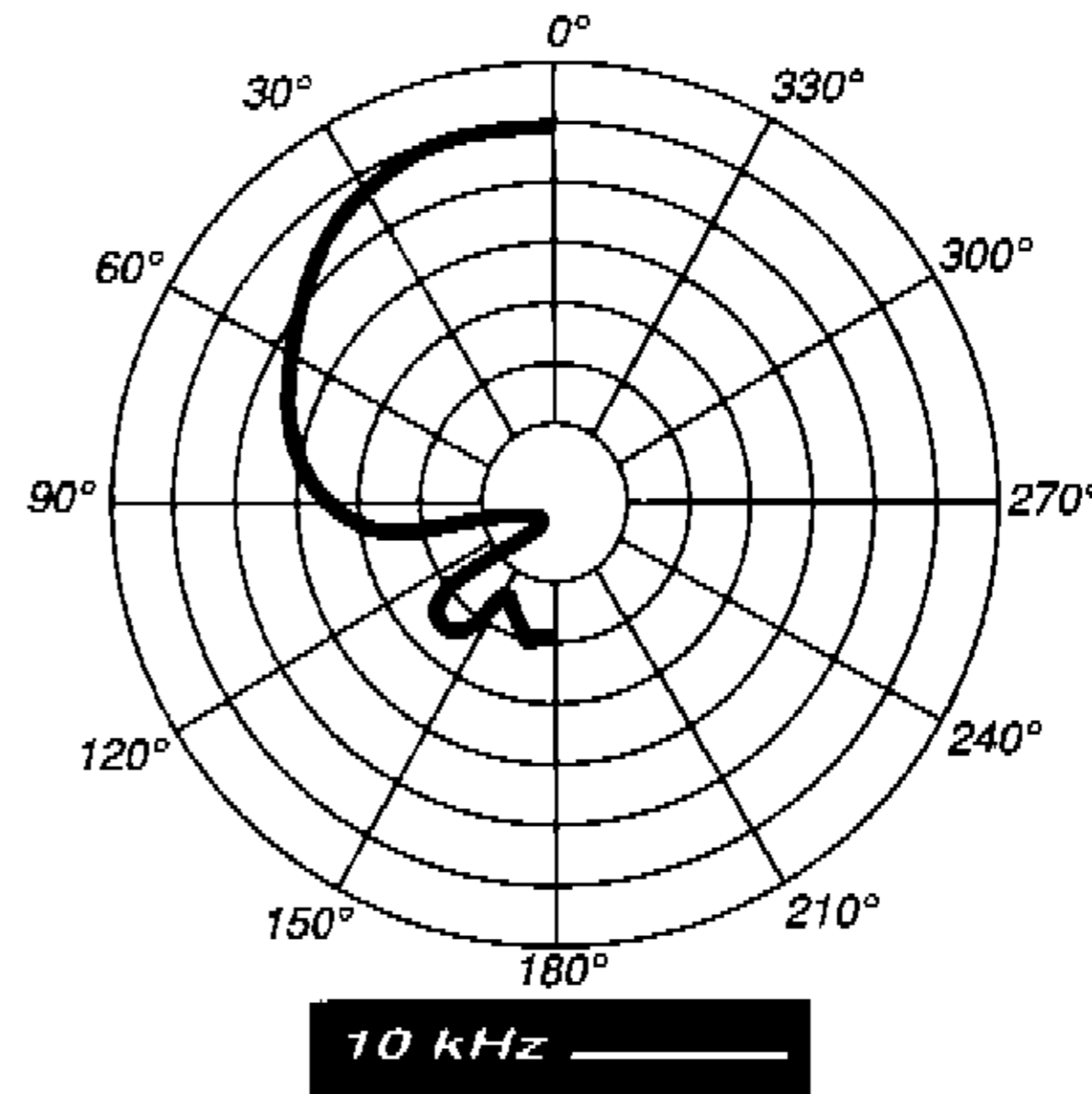
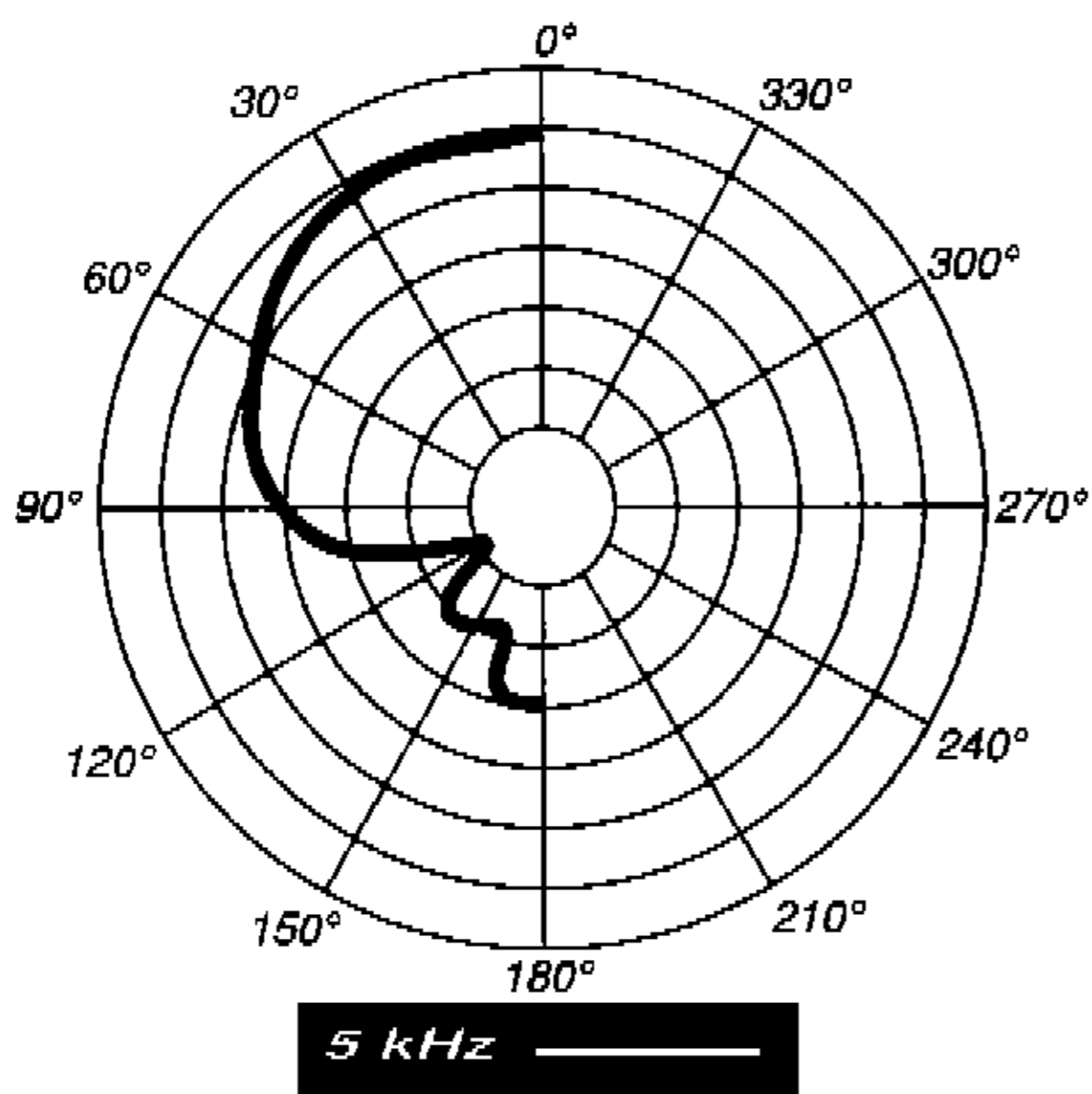
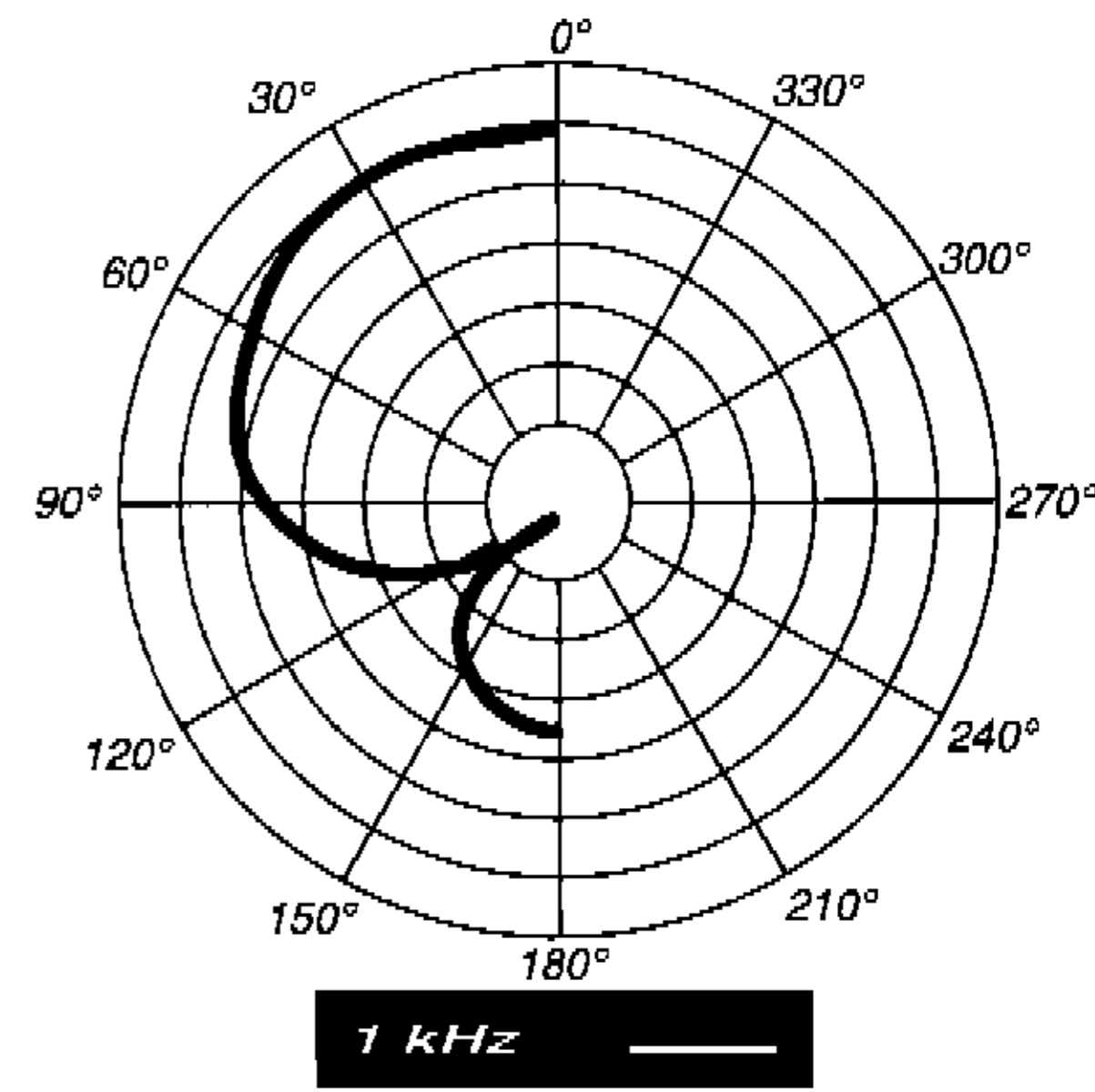
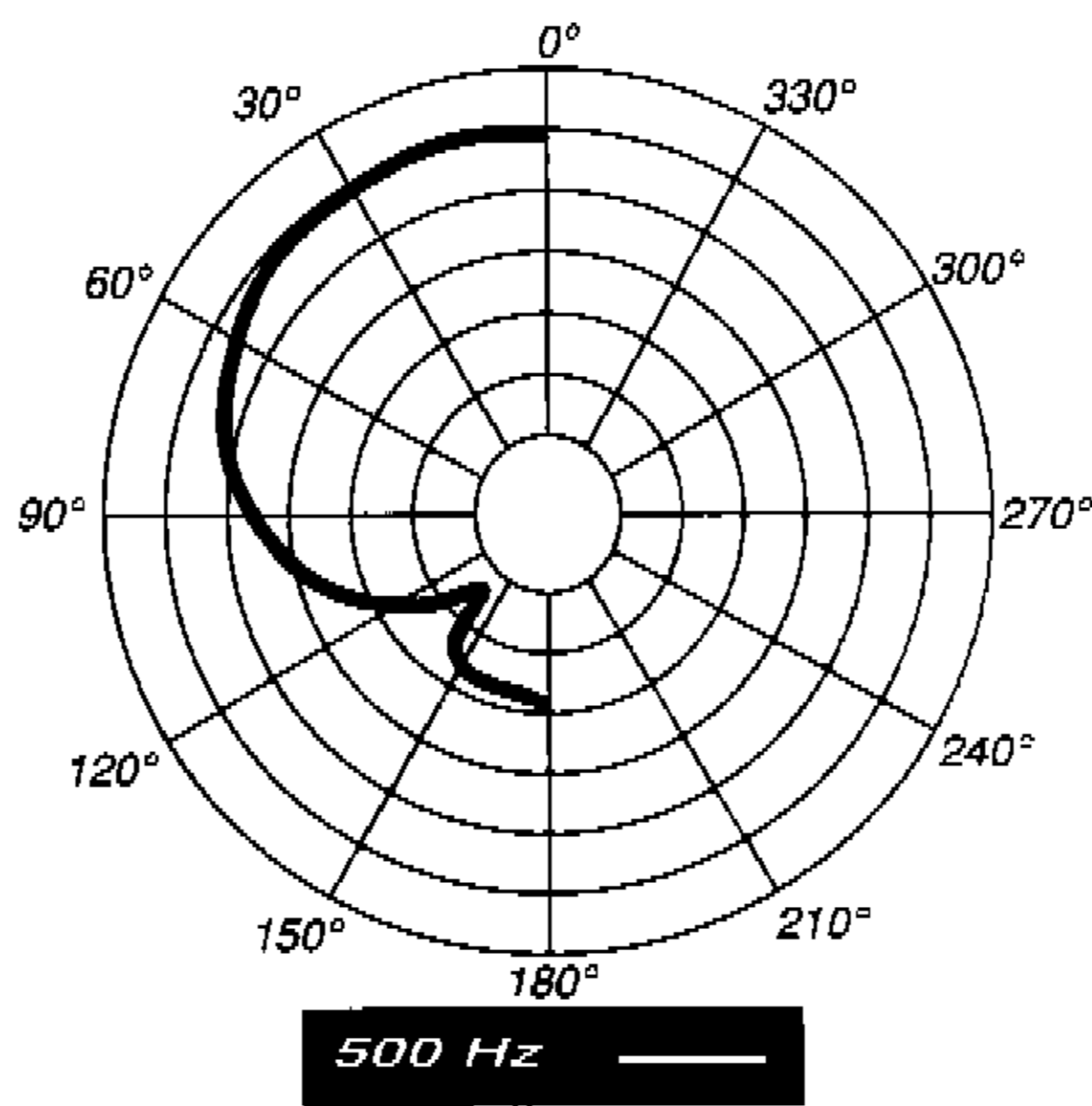
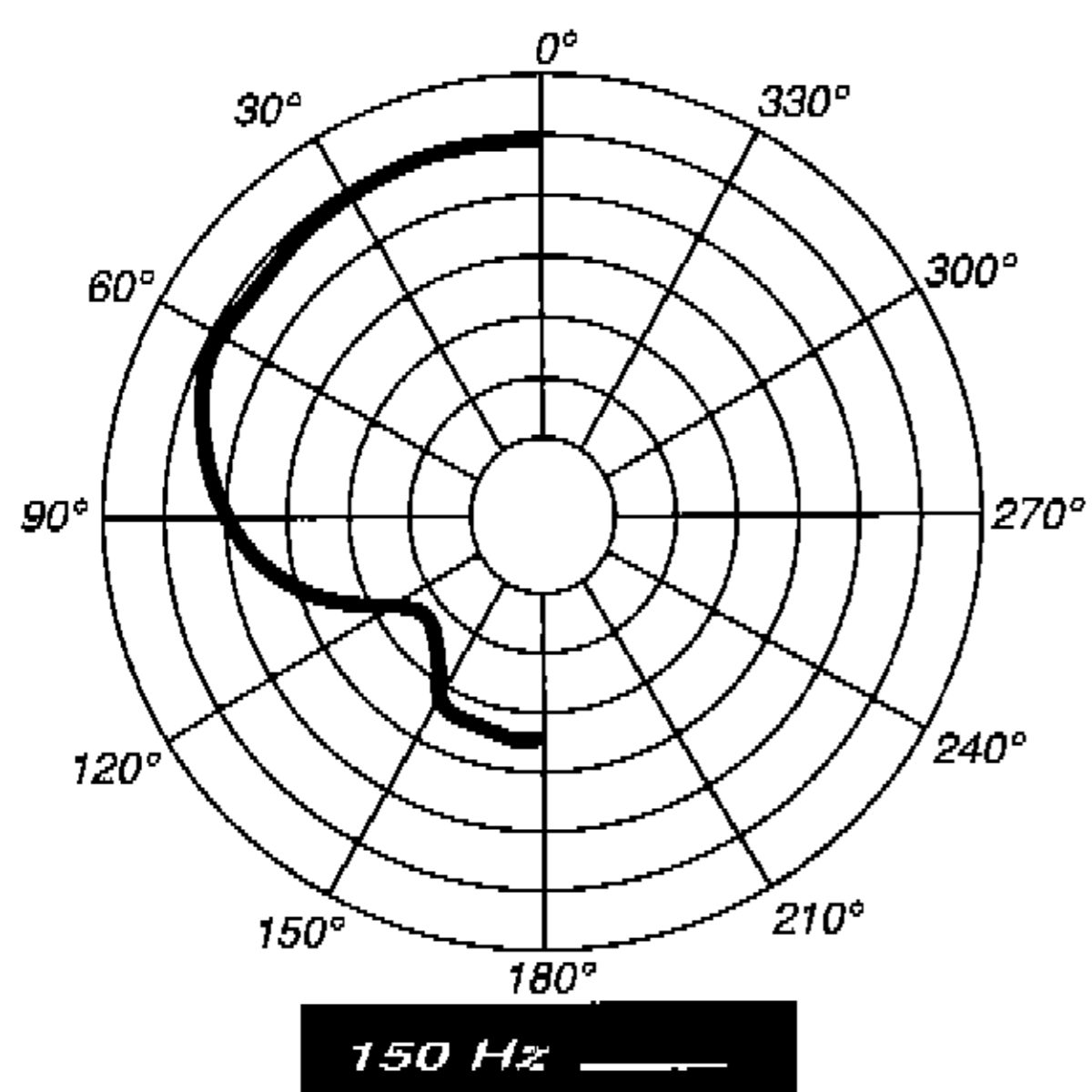
The microphone shall be a moving coil dynamic type with a frequency response of 40 Hz to 16,000 Hz. The microphone shall have a hypercardioid polar characteristic with a rear response that is down 20 dB (120° to 150° off axis). The microphone shall have an output power level of -56.0 dBm where

0 dB = 1 milliwatt per 10 microbar and nominal impedance rating of 300 ohms.

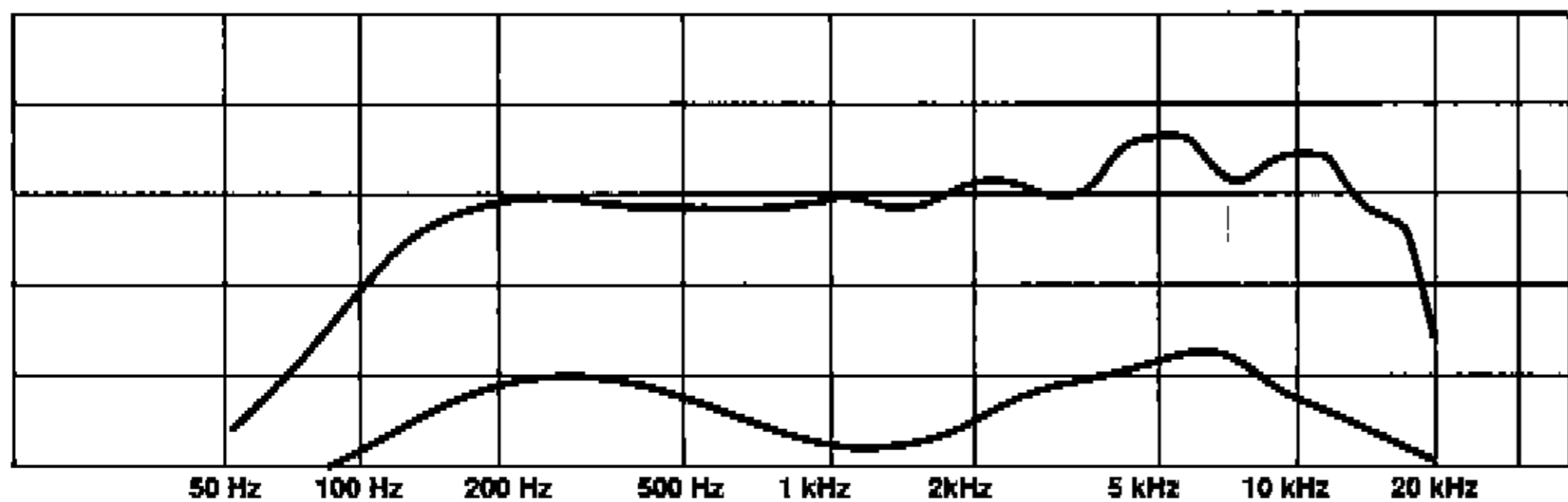
The microphone shall be a probe style unit with a non-reflecting black finish on a solid metal case. The connector shall be a 3-pin XLR equivalent audio type and a swivel adaptor shall be provided to mount on a stand having $\frac{5}{8}$ " 27 thread. The microphone shall have overall dimensions of $5\frac{3}{4}$ " in length and $1\frac{7}{16}$ " in diameter. The microphone shall be a Peavey model PVM™ 45i or equivalent.



5 dB per division

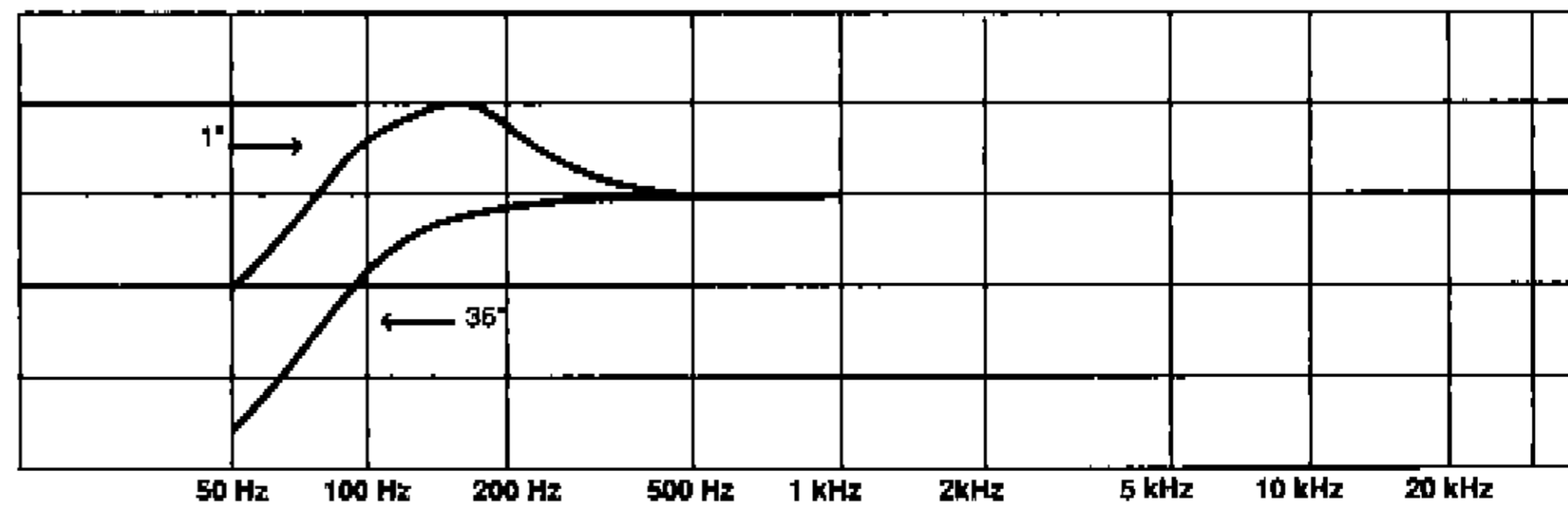


Frequency Response



0° & Nulls (Appr. 130°)

Impedance



Proximity Effect

PEAVEY MICROPHONE LIMITED WARRANTY/REMEDY

PEAVEY ELECTRONICS CORPORATION ("Peavey") warrants this microphone to the original retail purchaser to be free from defects in material and workmanship for a period of one (1) year from date of purchase; provided, however, that the existence of this limited warranty is subject to the conditions, exclusions and limitations hereinafter set forth.

In case of a covered defect in material or workmanship, Peavey will repair or replace the microphone, at Peavey's option, provided that consumer:

(a) brings the defective microphone to any Peavey Authorized Dealer or Service Center and presents therewith a copy of the sales receipt or other proof of purchase. If the DEALER or SERVICE CENTER is unable to provide the necessary warranty service, the consumer will be directed to the nearest other PEAVEY AUTHORIZED DEALER or SERVICE CENTER which can provide such service; or

(b) returns the defective microphone, shipping charges prepaid, to Peavey Electronics Corporation, 711 A Street, Meridian, Mississippi, and includes therewith a written description of the problem, a copy of the sales receipt or other proof of purchase and consumer's complete return address.

If the defect is remedial under this limited

warranty and the other terms and conditions expressed herein have been complied with, Peavey will provide the necessary warranty service to repair or replace the microphone and will return it, freight collect, to the consumer.

Under no circumstances will Peavey be liable for any lost profits, lost savings or other consequential or incidental damages arising out of the use or inability to use the product, even if Peavey had been advised of the possibility of such damages.

THIS LIMITED WARRANTY IS IN LIEU OF ANY AND ALL WARRANTIES, EXPRESSED OR IMPLIED, INCLUDING, BUT NOT LIMITED TO, THE IMPLIED WARRANTIES OF MERCHANTABILITY AND FITNESS FOR PARTICULAR USE; provided, however, that upon compliance with the other terms and conditions necessary to the existence of the express limited warranty, such implied warranties are not disclaimed during the applicable one year period from date of purchase of this product.

SOME STATES DO NOT ALLOW LIMITATIONS ON HOW LONG AN IMPLIED WARRANTY LASTS OR THE EXCLUSION OR LIMITATION OF INCIDENTAL OR CONSEQUENTIAL DAMAGES, SO THE

ABOVE LIMITATIONS OR EXCLUSIONS MAY NOT APPLY TO YOU. THIS LIMITED WARRANTY GIVES YOU SPECIFIC LEGAL RIGHTS, AND YOU MAY ALSO HAVE OTHER RIGHTS WHICH MAY VARY FROM STATE TO STATE.

In the event any modification or disclaimer of express or implied warranties or any limitation of remedies contained herein conflicts with applicable law, then such modification, disclaimer or limitation as the case may be, shall be deemed to be modified to the extent necessary to comply with such law.

Peavey Electronics Corporation gives this limited warranty only with respect to Peavey microphones purchased in the United States of America. This limited warranty shall be void and of no effect if:

- (a) first purchase of the product is for the purpose of resale; or
- (b) the original retail purchase is not made from an AUTHORIZED PEAVEY DEALER; or
- (c) the product has been damaged by accident or unreasonable use, neglect, improper service or maintenance, or other causes not arising out of defects in material or workmanship.



Features and specifications subject to change without notice.