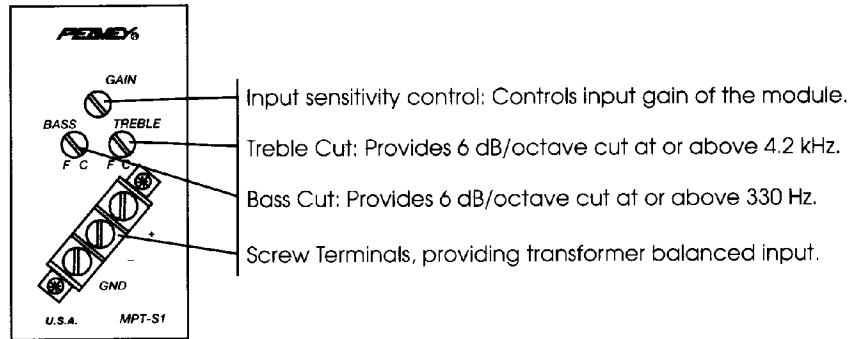


MA™ SERIES MODULE MPT™-S1

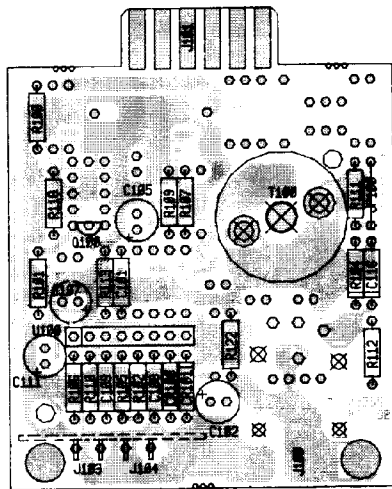
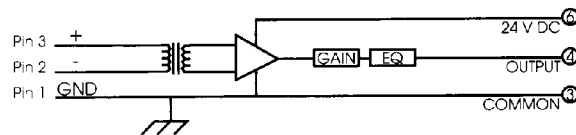
Transformer Balanced Input Module with Screw Terminals and EQ



INSTALLATION:

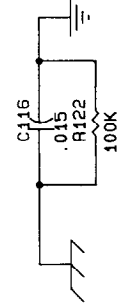
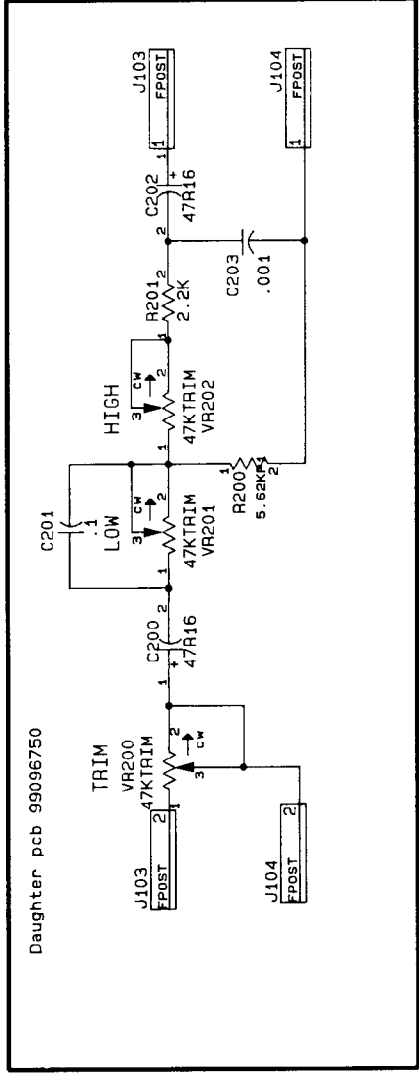
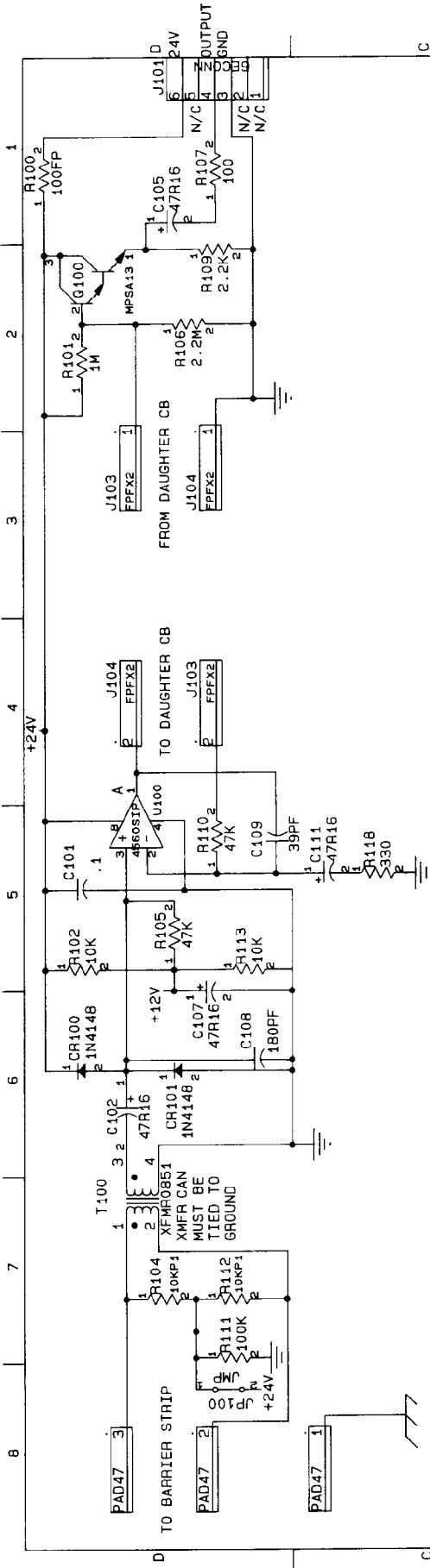
The module installs at the rear panel of product accepting the standard 6-pin card-edge connection. Align card-edge connector with top and bottom circuit board guides. Snap module into card-edge socket, push flush with rear panel, and install (furnished) mounting screws.

BLOCK DIAGRAM



SPECIFICATIONS:

Gain:	32 - 52 dB
Input Sensitivity:	.25 mV - 2.5 mV
Frequency Response:	+/- 1 dB, 25 Hz to 20 kHz
Input Impedance:	200 ohms
Noise:	-125 dBm (200 ohms terminated)
Bass:	Flat to 6 dB per octave below 330 Hz
Treble:	Flat to 6 dB per octave above 4.2 kHz
Phantom Power:	24 V DC
Power:	+24 V DC
Controls:	Gain, Low Cut, High Out
Mounting:	Edge Card Connector
Weight:	3.7 oz.
Dimensions:	3.07" H x 1.38" W x 3.46" D
Load Impedance:	10 Kiloohms



PEAVEY ELECTRONICS CORP. 711 A STREET MERIDIAN, MS 39301	
TITLE	MPT-S1 CB ASSM
SIZE	CODE NUMBER
B	99096743
REV	
DATE	3-MAR-93
SHEET	1 OF 1



Features and specifications subject to change without notice.

A Division of Peavey Electronics Corporation
711 A Street / Meridian, MS 39301 / U.S.A. / (601) 483-5376 / Fax 486-1278
#80301967

©1995

Printed in U.S.A. 2/95