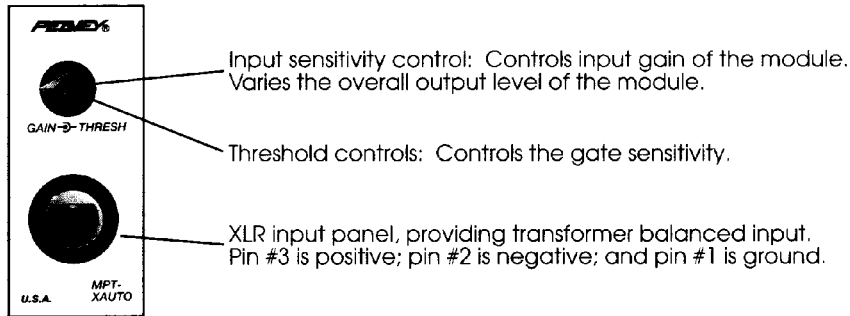


MA™ SERIES MODULE MPT™-X AUTO

Transformer Balanced Automatic Mic Preamp with Screw Terminals and Muting



INSTALLATION:

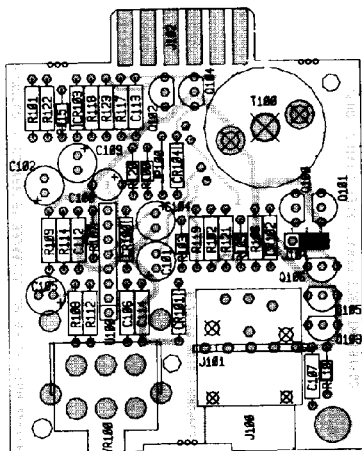
The module installs at the rear panel of product accepting the standard 6-pin card-edge connection. Align card-edge connector with top and bottom circuit board guides. Snap module into card-edge socket, push flush with rear panel, and install (furnished) mounting screws.

When operating multiple microphones in the same acoustic space as sound reinforcement speakers, the gain before feedback is affected by the number of open microphones (NOM). To insure a consistent margin before feedback, the system gain must be reduced 3 dB for every doubling of NOM. The MPT-AUTO provides a close approximation (within 1 dB) of theoretical NOM gain correction.

Number of Open Mics	Theoretical NOM Correction	Actual MPT-AUTO
1	0 dB	*****
2	-3 dB	-2.3 dB
3	-4.77 dB	-4.1 dB
4	-6 dB	-5.6 dB
5	-6.98 dB	-6.7 dB
6	-7.78 dB	-7.9 dB

NOTE: Program and non- MPT-Auto inputs will be dimmed an additional 3 dB when any MPT-AUTO modules are active.

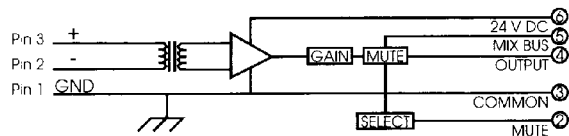
SET-UP: Each module has separate threshold and gain controls. Set each module for reasonable threshold and similar sensitivity. Modules can be programmed for mute master or mute slave capability. This allows a selected input to mute other inputs if desirable. Best performance will result with identical microphones. If different microphones are used, the maximum gain before feedback will be dominated by the microphone with the less flat frequency response.



Mute Select: (1) Mute Slave: Place jumper between pins 1 and 2
 (2) Mute Master: Place jumper between pins 2 and 3
 (3) No Mute: Remove 2 circuit jumper

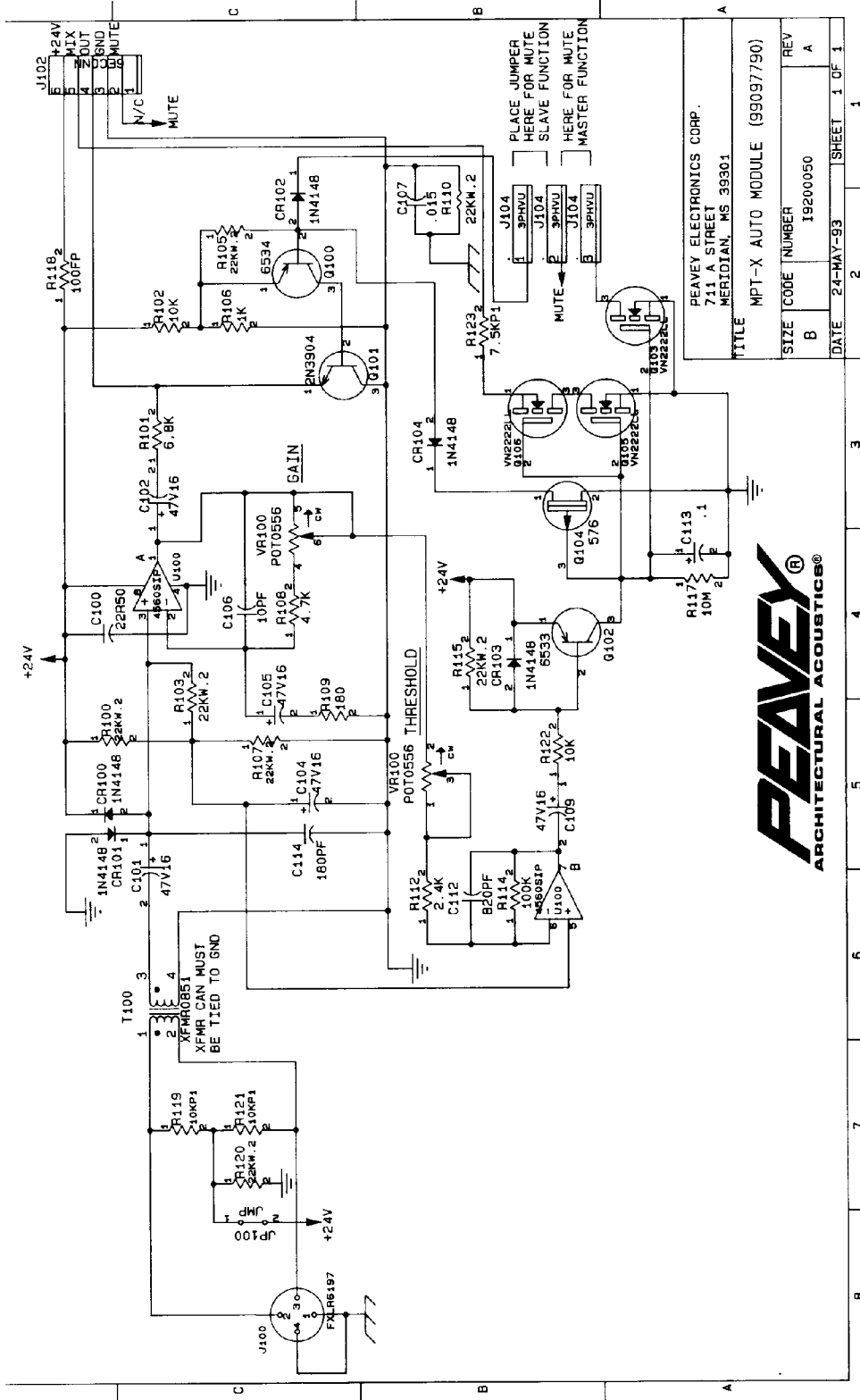
*Shipped in mute master position.

BLOCK DIAGRAM



SPECIFICATIONS:

Gain: 31 - 51 dB
Input Sensitivity: .28 mV - 2.8 mV
Frequency Response: ±1 dB, 50 Hz to 18 kHz
EIN: (20 - 20 kHz) -123 dBu (200 ohms terminated)
Distortion: (1 kHz) <0.1% with 1 mV input
Source Impedance: 200 ohms
Muting: Mute Master or Mute Slave (selectable)
Attenuation (Slave): 58 dB
Phantom Power: 24 V DC (Defeatable)
Power: 24 V DC (13 mA)
Control: Gain
Mounting: Edge card connector
Weight: 2.9 oz.
Dimensions: 3.07" H x 1.38" W x 3.46" D
Load Impedance: 10 Kilohms



Features and specifications subject to change without notice.

A Division of Peavey Electronics Corporation
 711 A Street / Meridian, MS 39301 / U.S.A. / (601) 483-5376 / Fax 486-1278
 #80301997

©1993

TITLE		PEAVEY ELECTRONICS CORP. 711 A STREET MERIDIAN, MS 39301	
SIZE	CODE	NUMBER	REV
B		19200050	A
DATE	24-MAY-93		SHEET 1 OF 1

Printed in U.S.A. 6/93