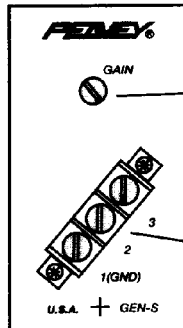


MA™ SERIES MODULE GEN™-S

Signal Generated Module with Screw Terminals

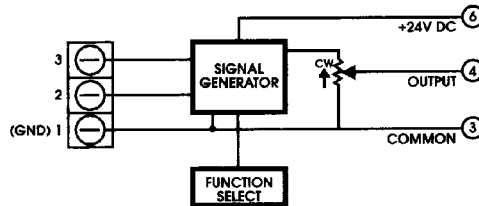
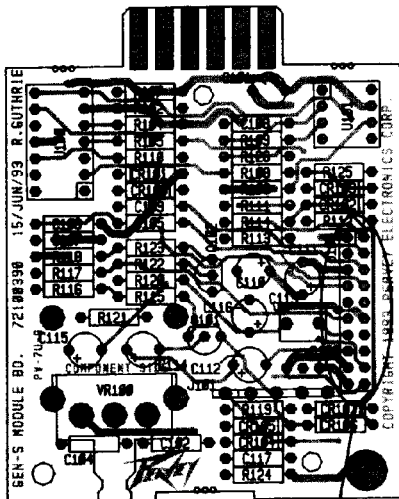


Output Level Control: Controls output gain of the module.

Screw Terminal Panel: Short between pins 3 and 1 for 1 kHz sine wave, Single Chime, or Buzzer. Short between pins 2 and 1 for Continuous Chime or Yelp. The functions are determined by select pins on the double-row header, J100, as shown below.

INSTALLATION:

The module installs at the rear panel of product accepting the standard 6-pin card-edge connection. Align card-edge connector with top and bottom circuit board guides. Snap module into card-edge socket, push flush with rear panel, and install (furnished) mounting screws.



SPECIFICATIONS:

Maximum Output Level: 0.6 V RMS
(1.75 V peak to peak)

Load Impedance: 10 kilohms

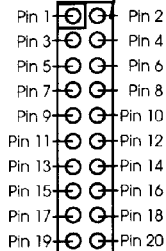
Power: 24 V DC

Control: Output Level

Mounting: Edge Card Connector

Weight: 2.4 oz.

Dimensions: 3.07" H x 1.38" W x 3.46" D

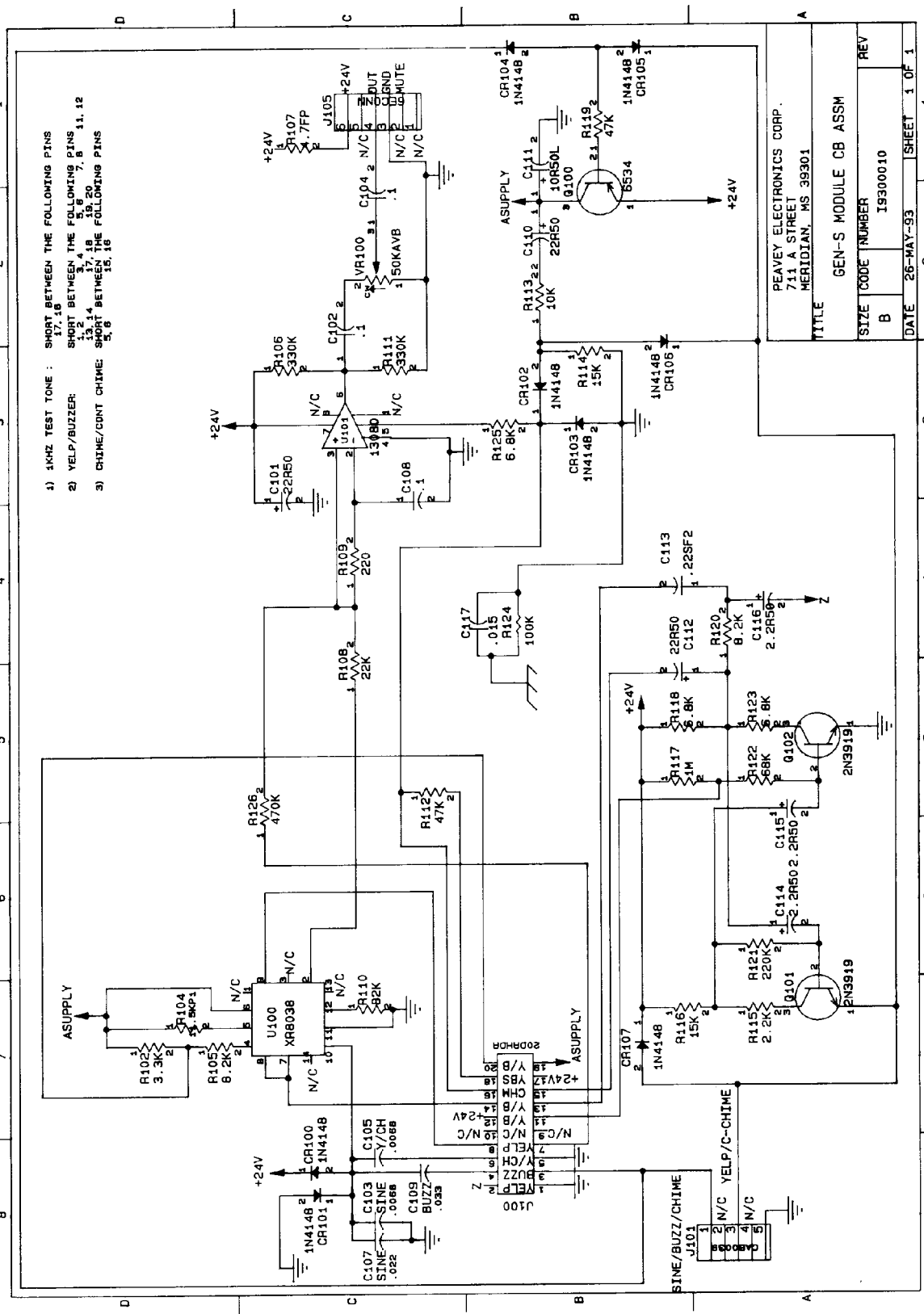


MODE SELECT:

- (1) 1 kHz Test Tone: Place jumper between pins: 17, 18.
- (2) Chime: Place jumper between pins: 5, 6; 15, 16
- (3) Yelp/Buzzer: Place jumper between pins: 1, 2; 3, 4; 5, 6; 7, 8; 11, 12; 13, 14; 17, 18; 19, 20

(The unit is shipped in the Yelp/Buzzer mode)

- 1) 1KHZ TEST TONE : SHORT BETWEEN THE FOLLOWING PINS
17, 18
- 2) YELP/BUZZER: SHORT BETWEEN THE FOLLOWING PINS
3, 4, 18, 5, 6, 7, 8, 11, 12
- 3) CHIME/CONT CHIME: SHORT BETWEEN THE FOLLOWING PINS
13, 14, 15, 16



PEAVEY ELECTRONICS CORP.
711 A STREET
MERIDIAN, MS 39301

TITLE GEN-S MODULE CB ASSM

SIZE CODE NUMBER B 19300010

REV

DATE 26-MAY-93 SHEET 1 OF 1



Features and specifications subject to change without notice.

A Division of Peavey Electronics Corporation
711 A Street, P. O. Box 2898, Meridian, MS 39302-2898 / (601) 483-5376 / Telex: 504115 / Fax: (601) 486-1278
#80302030

©1993

Printed in U.S.A. 7993