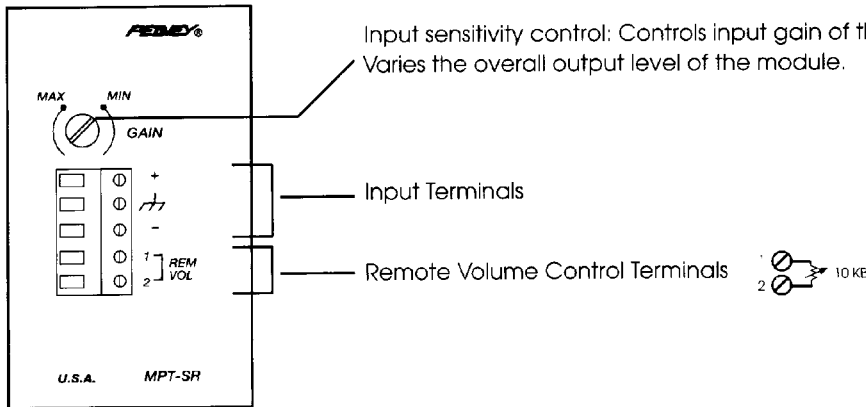




# MA™ SERIES MODULE MPT™-SR

Transformer Balanced Mic Preamp with Screw Terminals, Muting, and Remote Volume Capabilities



Input sensitivity control: Controls input gain of the module. Varies the overall output level of the module.

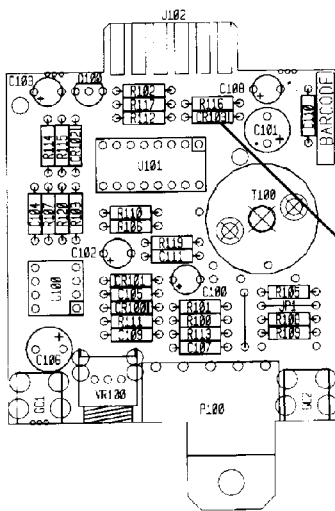
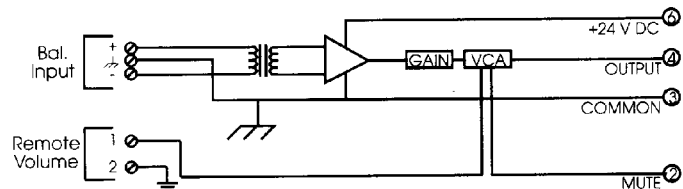
Input Terminals

Remote Volume Control Terminals 10 KB

## INSTALLATION:

The module installs at the rear panel of product accepting the standard 6-pin card-edge connection. Align card-edge connector with top and bottom circuit board guides. Snap module into card-edge socket, push flush with rear panel, and install (furnished) mounting screws.

## BLOCK DIAGRAM

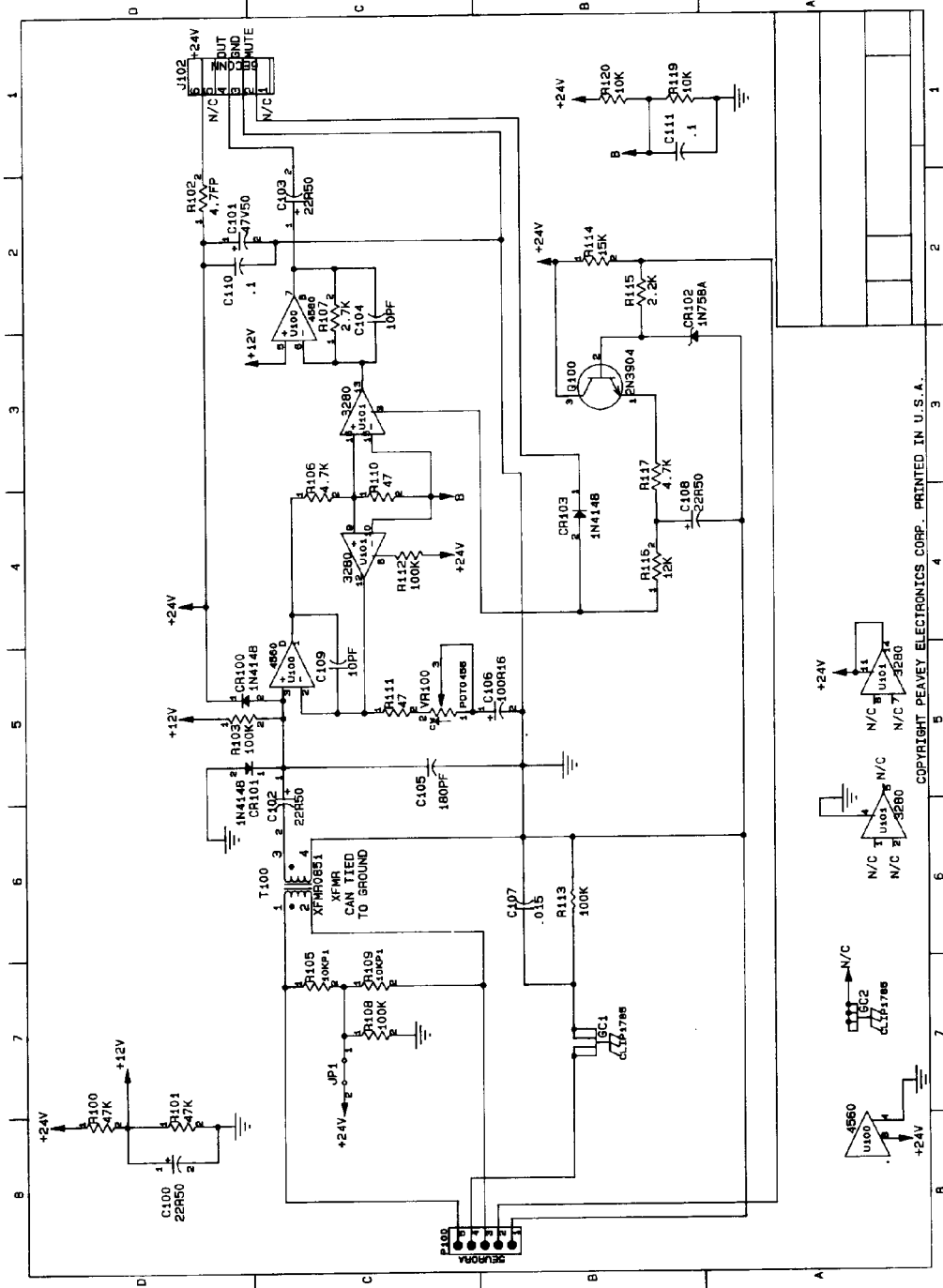


To defeat muting capabilities, clip this diode.

## SPECIFICATIONS:

<b>Gain:</b>	-4 dB to 51 dB
<b>Input Sensitivity:</b>	0.28 mV to 160 mV
<b>Frequency Response:</b>	30 Hz to 20 kHz ±1 dB (at nominal gain setting)
<b>EIN: (20 - 20 kHz)</b>	-123 dBu (200 ohms terminated)
<b>Distortion: (1 kHz)</b>	<0.1% with 1 mV input
<b>Source Impedance:</b>	200 ohms
<b>Muting Level:</b>	60 dB
<b>Remote Volume Range:</b>	0 to -60 dB
<b>Phantom Power</b>	24 V DC (Defeatable)
<b>Power:</b>	24 V DC
<b>Control:</b>	Gain
<b>Mounting:</b>	Edge Card Connector
<b>Weight:</b>	2.9 oz.
<b>Dimensions:</b>	3.07" H x 1.38" W x 3.46" D
<b>Load Impedance:</b>	10 Kilohms

To defeat muting, remove CR103.



Features and specifications subject to change without notice.

A Division of Peavey Electronics Corporation  
 711 A Street / Meridian, MS 39301 / U.S.A. / (601) 483-5376 / Telex 504115 / Fax 486-1278  
 #80302206

©1994

Printed in U.S.A. 11/94

COPYRIGHT PEAVEY ELECTRONICS CORP. PRINTED IN U.S.A.