

# Specifications UMA™ 752 MIXER/AMPLIFIER



## Specifications

**Rated output power:** 75 Watts

### Output regulation:

Direct out: <0.5 dB  
Transformer out: <1.0 dB

### Frequency response:

Power Amplifier:  $\pm 0.5$  dB, 20 Hz to 20 kHz, direct out  
 $\pm 1.0$  dB, 50 Hz to 20 kHz, transformer out  
Preamplifier:  $\pm 1.0$  dB, 20 Hz to 20 kHz

### THD:

Power Amplifier: 0.05% (1 kHz)  
Preamplifier: 0.10% with nominal gain settings

### Power bandwidth ( $\pm 3$ dB):

Direct out: <10 Hz to 70 kHz  
Transformer out: 30 Hz to 40 kHz

### Signal/noise:

(22 Hz – 22 kHz) typical  
All controls CCW: -100 dB  
All controls nominal (5): -90 dB  
Level controls CCW and master level CW: -80 dB

### Outputs:

Direct out: 4 Ohms  
XFMR: Balanced 8 Ohms (25 V), 70 V, 100 V  
Ch. 4 out: 1 V nom., +21 dBu max. at 100 Ohms

Pre out: 1 V nom.; +21 dBu max., at 100 Ohms

### Inputs:

Channel 1: Mic 1 mV at 1.8 k Ohms (XLR or screw terminals)  
Tel 100 mV at 20 k Ohms (Screw terminals)  
Channel 2: Mic 1 mV at 1.8 k Ohms (Screw terminals)  
Line 100 mV at 20 k Ohms (Screw terminals)  
Channel 3: Line 100 mV at 20 k Ohms (Screw terminals)  
Channel 4: Line 100 mV at 20 k Ohms (Screw terminals)  
Stereo 316 mV (-10 dBV) at 4.0 k Ohms (RCA jacks)  
Power in: 1 Volt at 20 k Ohms

### Tone controls:

Bass:  $\pm 10$  dB at 100 Hz  
Treble:  $\pm 10$  dB at 10 kHz

### Front panel controls and indicators:

Channel 1 level control  
Channel 2 level control  
Channel 3 level control  
Channel 4 level control  
Bass control  
Treble control



# Specifications UMA™ 752 MIXER/AMPLIFIER

Master level control  
Input channel signal level indicators:  
(signal presence = green; signal peak = red)  
Input channel mute status  
Power amplifier signal presence indicator  
SPS™ indicator  
Power on indicator

## Rear panel controls:

Module input level control use with MMA input modules only  
Channel 1 sensitivity switch  
Channel 1 mute bus assign switch  
Mute 2 threshold control  
Channel 2 sensitivity switch  
Channel 2 mute bus assign switch  
Channel 4 output level control  
Loop switch  
Power switch

## Muting:

Mute 1: MMA input module overrides Ch 1 through 4  
Mute 2: Ch 1 overrides Ch 2 through 4 with adjustable threshold control range from OFF to 100 mV (TEL) or 1 mV (MIC)

## Other features:

Remote volume control (RVC) via screw terminals

- 10 k Ohms approximately 30 dB attenuation
- 100 k Ohms approximately 60 dB attenuation

Mute 1 and mute 2 bus activation with switch contact closure via screw terminals  
24 V DC phantom power on MIC inputs

## Power requirements:

180 Watts, 120 V AC, 60 Hz

## Dimensions:

19" x 13.25" x 3.45" with rack ears  
(483 mm x 337 mm x 88 mm)

17" x 13.25" x 3.45" without rack ears  
(432 mm x 337 mm x 88 mm)

## Weight:

23.8 lbs. (11 kg)

## Color:

Black

## Features

- Up to five input channels
- One electronically balanced Mic/Tel input – telephone input with 600 Ohm transformer balanced for paging
- One electronically balanced Mic/Line input
- Two electronically balanced Line inputs

- One plug-in module port allows for any single-space MMA™ module
- Rear-panel input level control for optional MMA input module
- Priority/Muting system with internal signal override, external switch closure capability, threshold control, and front panel indicators
- Mute Bus Active/Defeat switches on two channels
- Remote volume control capability
- Bass and treble equalization controls
- Preamp output and power amp input loop for external processing equipment or auxiliary output
- Channel 4 electronically balanced output provides non-mutable output for MOH
- Front panel channel input signal level indicators
- Amplifier signal indicator
- SPS™ (Speaker Protection System) circuitry with indicator
- Power indicator
- 4 Ohm direct output
- 8 Ohm, 70 Volt, and 100 Volt transformer-balanced power outputs
- AC convenience outlet (120 V units only)
- Optional rack mounting with included rack ears

## Applications

- Presentation rooms
- Board rooms
- Courtrooms
- Auditoriums
- Lecture halls
- Meeting rooms
- Convention centers
- Paging systems
- Background music
- Retail spaces
- Restaurants

## Description

The UMA 752 is a high quality, commercial grade analog audio mixer/amplifier. Designed for flexibility in application, this mixer/amp represent the latest, state-of-the-art technology in analog circuit design.

Powerful, yet easy to use, the new UMA 752 delivers amazing sonic performance. Low-noise design and features applicable to "real-world" situations makes this unit ideal for audio applications where a compact, powered mixer with multiple input and output capabilities are required.

## Architectural and Engineering Specifications

The mixer/amplifier shall have 4-inputs and an accessory module port for use with present and future Peavey MMA modules. The front panel shall include four input level controls, bass and treble controls, and a master output control. Front panel indicators shall include power, signal presence at the amplifier, channel signal and mute condition, and SPS™. The mixer amplifier shall have a hierarchical muting function where the input module has the highest priority followed by Channel 1. Outputs shall include one direct and three transformer-balanced. The power switch shall be on the rear panel along with the detachable IEC cord, fuse holder, and accessory power outlet (120 V only).

There shall be four inputs with Euro-type connectors on the rear panel and level controls on the front panel. Channel 1 shall also include an XLR connector and have a bridging transformer input with switchable input sensitivity between telephone paging and microphone. When in the microphone mode, 24 Volt phantom power shall be applied to the Input 1. Channel 2 shall be electronically balanced with a switchable input sensitivity between mic and line levels. When in the microphone mode, 24 Volt phantom power shall be applied to the Input 2. Channels 3 and 4 shall be electronically balanced line-level inputs with Channel 4 including stereo RCA jacks. Additionally, the output from Channel 4 input shall be made available via an electronically balanced output with a Euro-type connector and a separate level control. The module port shall be capable of controlling both mute buses. Depending upon the module chosen, it can be set up for master configuration. When the input signal to an input module commands a mute function, Channels 1-4 shall be muted.

Only Channel 1 shall have a continuously variable mute threshold control on the rear panel. Setting this control fully clockwise shall defeat the Channel 1 mute function. The mute level threshold for Channel 1 shall be increased as the control is turned clockwise. When the signal level in Channel 1 exceeds the mute threshold, Channels 2-4 shall be muted. Channels 1 and 2 shall include a switch to defeat its muting function. When the switch is out, the channel shall be muted. When the switch is in, the channel cannot be muted.

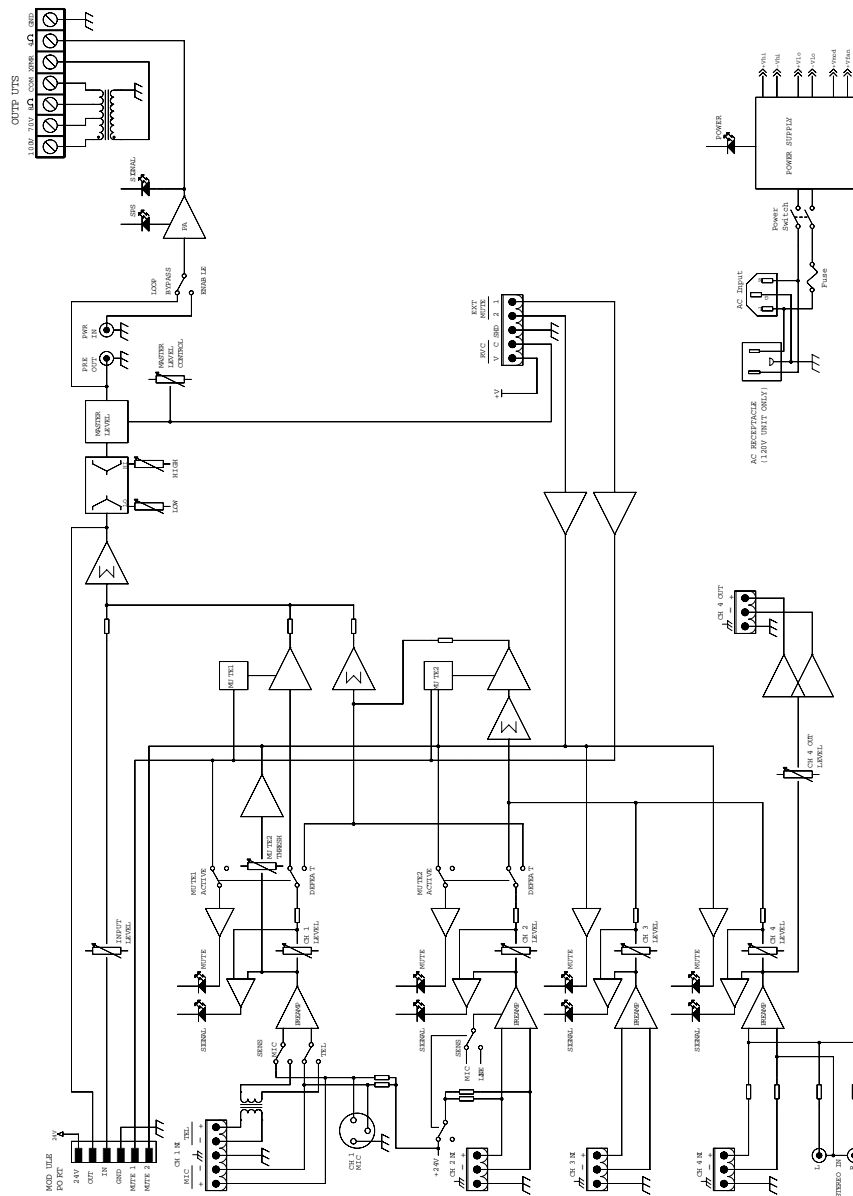
# Specifications **UMA™ 752 MIXER/AMPLIFIER**

The master section shall include front panel bass and treble EQ controls, each with a  $\pm 10$  dB range of operation. A front panel master level control shall control the output signal level of the preamp/mixer. The capability to insert an external device shall be included via two RCA jacks. A loop switch shall bypass the loop point. Remote master level control capability shall be included along with remote control for each mute bus.

The mixer amplifier shall have a direct 4 Ohm output, and 3 transformer-balanced outputs – 100 Volt, 70 Volt, and 8 Ohm. The amplifier shall include clipping protection via SPS™. The unit shall be called the Peavey Architectural Acoustics Division model UMA 752.

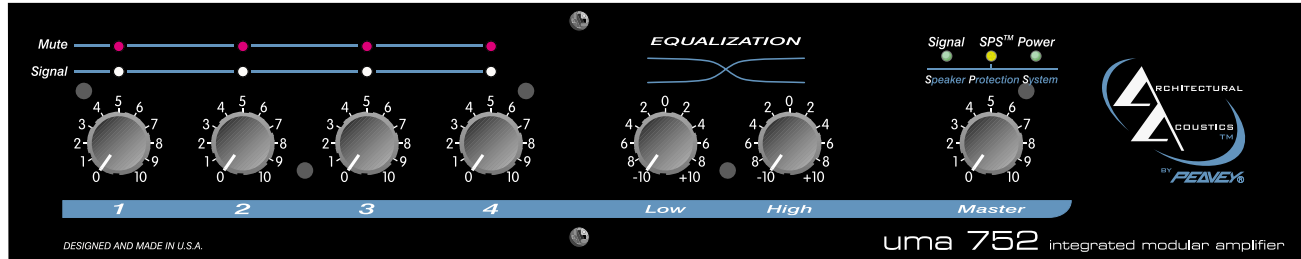
## Warranty

Three + two limited warranty  
 Note: For details, refer to the warranty statement. Copies of this statement may be obtained by contacting Peavey Electronics Corporation, P.O. Box 2898, Meridian, Mississippi 39302-2898.

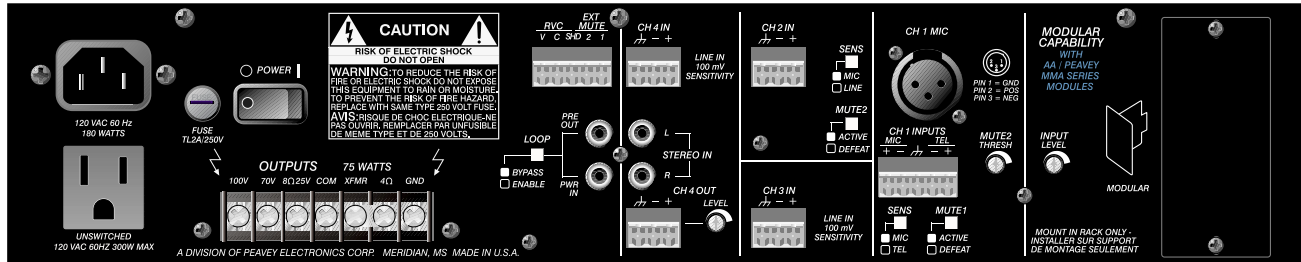


# Specifications UMA™ 752 MIXER/AMPLIFIER

## UMA™ 752 MIXER/AMPLIFIER FRONT



## UMA™ 752 MIXER/AMPLIFIER BACK



80303076

Peavey Electronics Corporation • 711 A Street • Meridian, MS 39301  
 601-483-5376 • Fax 601-486-1678 • <http://aa.peavey.com>  
 ©2002 Printed in the U.S.A. 4/02

