

S P E C I F I C A T I O N S



PZS™ 140

Multi-Zone Mixer/Amplifier

SPECIFICATIONS

FEATURES:

- Five input channels
- Four zones
- 35 watt output per zone
- Two XLR low-Z mic inputs (balanced)
- Detachable input connector for Low-Z mic and High-Z line on each channel
- Signal LED indicator for each channel
- Channel level control
- Low and high active EQ each channel
- Four zone assignment switches each channel
- Front panel adjustable threshold and paging hold on channels 1 and 2
- Four master output level controls with signal and clipping LED indicators
- Detachable preamp output/power amp input connector for each zone
- Each zone output provides a 4-ohm direct output and transformer isolated 8-ohm, 25- and 70-volt outputs
- Each zone has 600-ohm line level balanced output
- 19" standard rack-mount package
- Three rack spaces
- Externally accessible main fuse

POWER OUTPUT:

35 W RMS per zone @ less than 1% (60 Hz to 20 kHz with all four channels operating)

OUTPUTS:

Speaker: 4 Ω (direct), 8 Ω , 25 V and 70 V (isolated)
Line: 600 Ω balanced, 1V RMS

CHANNEL 1 and 2 INPUTS:

Mic: 2k Ω , -54 dBu (1.5 mV, balanced)
Line: >50k Ω , -18 dBu (100 mV, balanced)
XLR Mic: 2k Ω , -54 dBu (1.5 mV, balanced)

CHANNELS 3 - 5 INPUTS:

Mic: 2k Ω , -54 dBu (1.5 mV, unbalanced)
Line: >50k Ω , -18 dBu (100 mV, balanced)
RCA: >50k Ω , -18 dBu (100 mV, unbalanced)

INSERTS:

Send: 1k Ω , 2.21 dBu (1 volt, unbalanced)
Return: 10k Ω , 2.21 dBu (1 volt, unbalanced)

FREQUENCY RESPONSE:

50 Hz to 20 kHz, +0/-2 dB (transformer)

SIGNAL-TO-NOISE RATIO:

Residual: 90 dB below rated power (channel down, master full up)

Line Inputs: 90 dB below rated power (controls nominal, 2k Ω terminated)

Mic Inputs: 82 dB below rated power (controls nominal, 150 Ω terminated)

TONE CONTROLS:

Low EQ: +10/-10 dB @ 100 Hz
High EQ: +10/-10 dB @ 10 kHz

CONTROLS:

Channels 1 and 2:

Level, low EQ, high EQ, four assign switches, signal presence, LED muting threshold and adjustable release time.

Channels 3 - 5:

Level, low EQ, high EQ, four assign switches and signal presence LED

Masters 1 - 4:

Level, signal presence and clipping LEDs

POWER SUPPLY:

Internal, 120 V AC @ 60 Hz
375 watts all channel at full power
175 watts all channel at 1/8 power
Five-amp fuse

DIMENSIONS: (H x W x D)

5.25" x 19" x 15"
(13.3 cm x 48.3 cm x 38.1 cm)

WEIGHT:

34 pounds (15.4 kg)

PEAVEY
ARCHITECTURAL ACOUSTICS®

DESCRIPTION:

The Peavey Architectural Acoustics PZS™ 140 is a five-channel mixing system with assignment capability to four independent powered zones. Each channel offers low and high equalization, channel level control, signal presence LED, 48 volt phantom power and zone assignment switching. Channels one and two offer low-Z (XLR) and detachable screw terminal microphone inputs (high and low-Z) for paging capability with channels three through five offering dual (paralleled) RCA jacks and detachable screw terminal inputs (high and low-Z) for use with various music sources. Additionally, channels one and two have recessed screw-driver controls for background music “ducking” threshold and hold time adjustments. Each zone has a master level control, signal presence and clipping LED indicator, and detachable screw terminal connections for pre-amp out/power amp in and balanced line output. Each zone power amp is rated at 35 W RMS and provides a

4-ohms (direct output), 8-ohms, 25 V and 70 V (transformer isolated outputs).

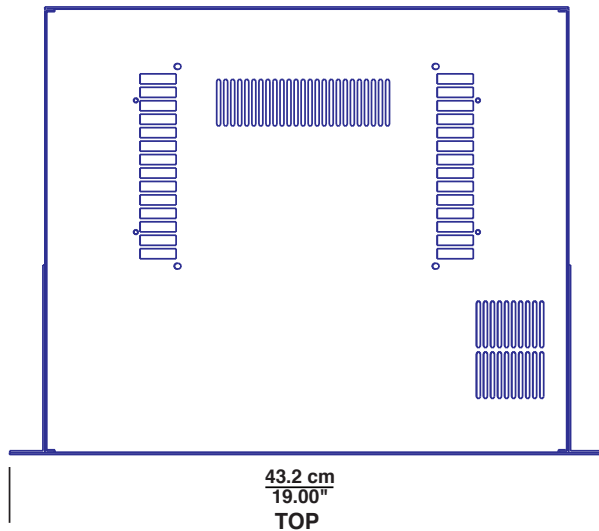
ARCHITECTURAL AND ENGINEERING SPECIFICATIONS:

The mixer amplifier shall have five input channels each with assignment capability to four independent powered zones. Each channel shall contain low and high frequency equalization, a level control, 48 volt phantom power, signal presence LED and zone assignment switches.

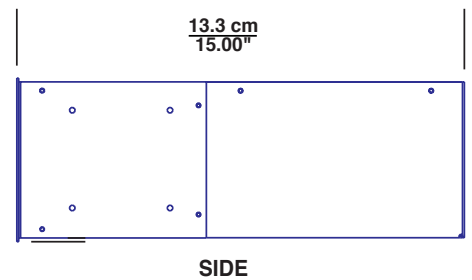
Channels one and two shall be configured for paging with balanced low-Z XLR and detachable screw terminal block inputs (high and low-Z). These channels shall also have front panel recessed screw driver controls for background music “ducking” threshold and hold time adjustments. Channels three through five shall be configured for use as background music feeds with dual (paralleled) RCA jacks and detachable screw terminal inputs

(high and low-Z). All five channels, however, are capable of being used with mic or line level sources.

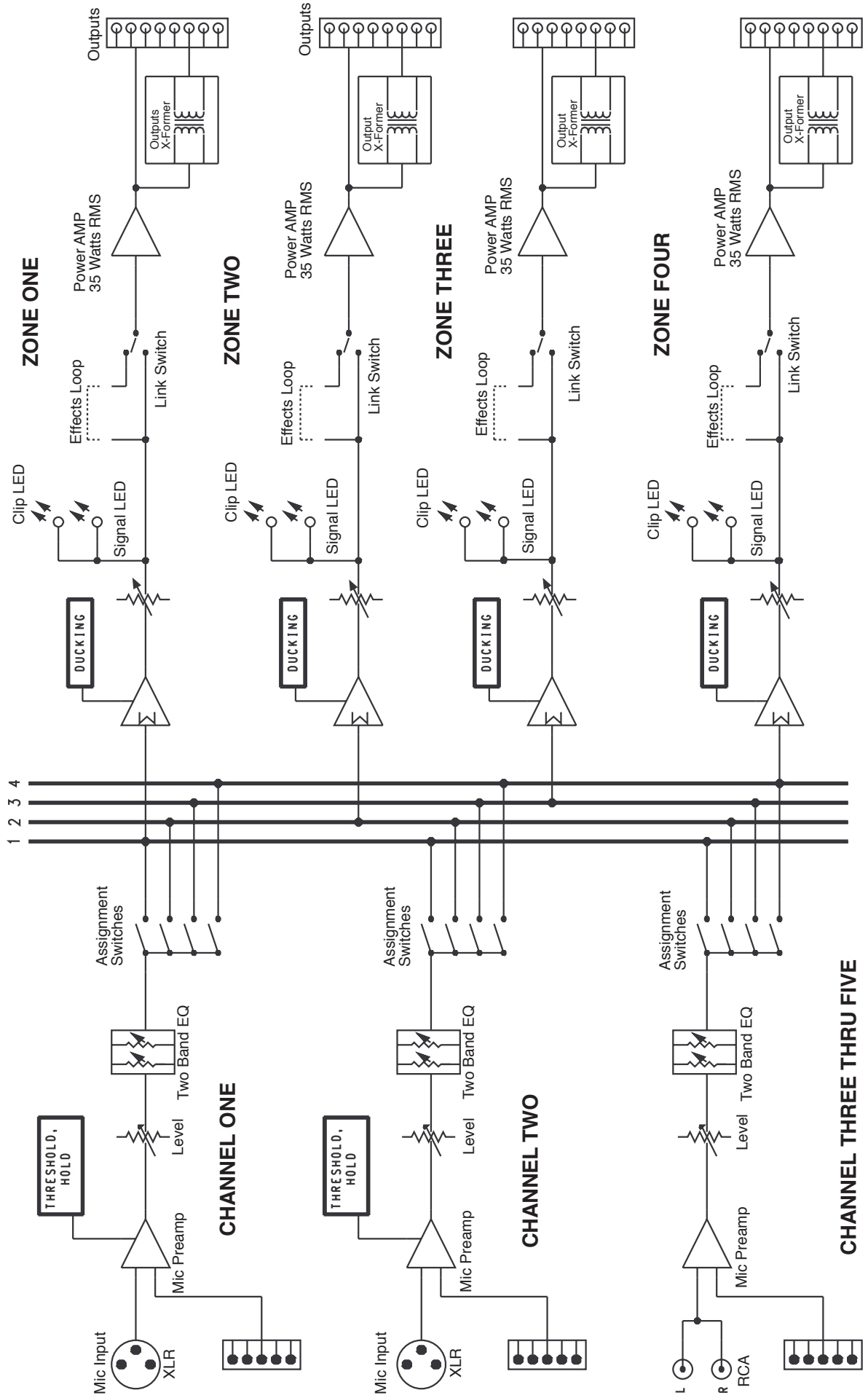
Each zone shall have a master level control, signal presence and clipping LED indicators, and detachable screw terminal connections for preamp output/power amp input and balanced line output. Each zone power amplifier shall be rated at 35 W RMS continuous and shall provide a 4 ohm direct output and transformer isolated 8 ohm, 25 V and 70 V outputs. The unit shall be packaged in a rugged metal chassis 5 1/4" high, 19" wide and 15" deep, and shall weigh 34 pounds. The unit shall be rack mountable and will fit in a standard 19" rack requiring three rack spaces. The unit shall operate from 120 V AC 60 Hz power and consume no more than 375 watts. The unit shall meet or exceed all the published specifications. The unit shall be a Peavey Architectural Acoustics Division model PZS 140 mixer/amplifier.



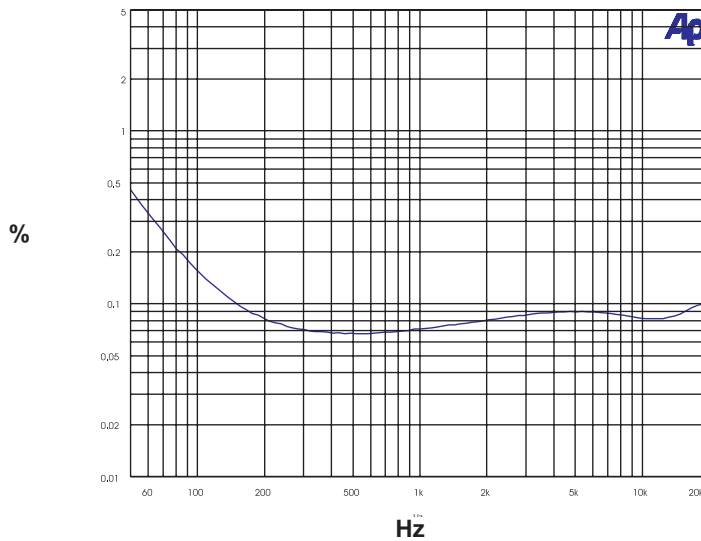
PZS™ 140 Dimensions



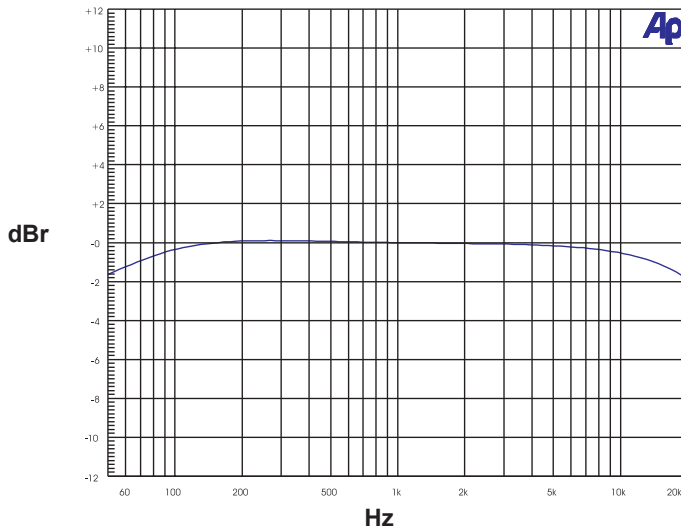
PZS™ 140 BLOCK DIAGRAM



PZS™ 140 Distortion at 35 Watts



PZS™ 140 Frequency Response



LIMITED WARRANTY

Peavey Electronics Corporation warrants to the original purchaser of this new Architectural Acoustics product that it is free from defects in material and workmanship. If within one (1) year from date of purchase a properly installed product proves to be defective and Peavey is notified, Peavey will repair or replace it at no charge. (Note: Batteries and patch cords not covered.) "Original purchaser" means the customer for whom the product is originally installed.

Damage resulting from improper installation, interconnection of a unit or system of another manufacturer, accident or unreasonable use, neglect or any other cause not arising from defects in material and workmanship is not covered by this warranty. The warranty is valid only as to products purchased and installed in the United States.

THIS LIMITED WARRANTY IS IN LIEU OF ANY ALL WARRANTIES, EXPRESSED OR IMPLIED, INCLUDING THE IMPLIED WARRANTIES OF MERCHANTABILITY AND FITNESS FOR A PARTICULAR USE. UNDER NO CIRCUMSTANCES WILL PEAVEY BE LIABLE FOR ANY PROFITS, LOST SAVINGS, THE PRODUCT, EVEN IF PEAVEY HAS BEEN ADVISED OF THE POSSIBILITY OF SUCH DAMAGE. THIS LIMITED WARRANTY IS THE ONLY EXPRESSED WARRANTY ON THIS PRODUCT, AND NO OTHER STATEMENT, REPRESENTATION, WARRANTY, OR AGREEMENT BY ANY PERSON SHALL BE VALID OR BINDING UPON PEAVEY.

Peavey's liability to the original purchaser for damages for any cause whatsoever and regardless of the form of action, is limited to the actual damages up to the greater of Five Hundred Dollars (\$500) or an amount equal to the purchase price of the product that caused the damage or that is the subject of or is directly related to the cause of action. This limitation of liability will not apply to claims for personal injury or damage to real property or warranty, call a Peavey customer service representative at (601) 483-5376.



Features and specifications subject to change without notice.

A Division of Peavey Electronics Corporations • 711 A Street • Meridian, MS 39301
U.S.A. • (601) 483-5376 • Fax (601) 486-1678 • www.peavey.com



80304446