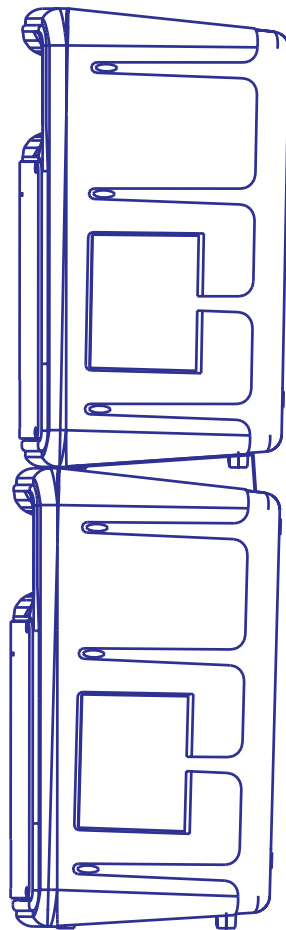
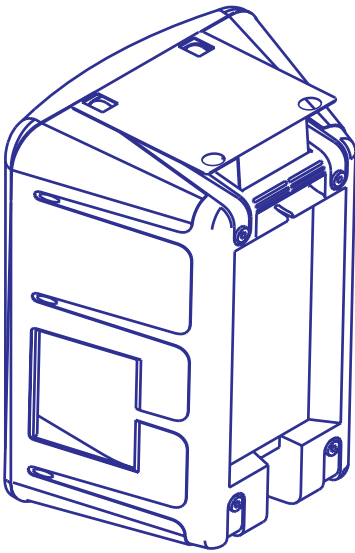


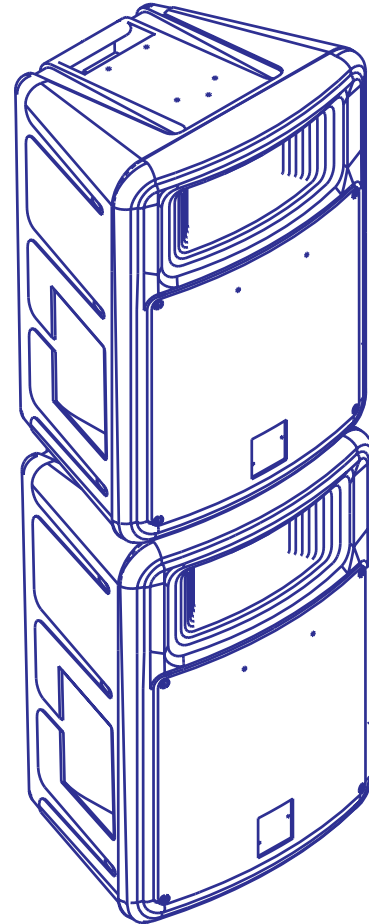
## Impulse™ 200 Stacking Adapter

The Impulse™ 200 Stacking Adapter is designed for free-standing enclosures only. Do not attempt to use this adapter with enclosures that are flown or hanging. Do not attempt to stack more than two enclosures as shown in the diagram below.

1. Set Peavey number 00386950 stacking adapter on top of bottom speaker as shown in this view.
2. Set feet of speaker to be stacked in holes of stacking adapter.



SIDE VIEW



ISOMETRIC VIEW



Features and specifications subject to change without notice.

Peavey Electronics Corporation • 711 A Street • Meridian • MS • 39301  
(601) 483-5376 • FAX (601) 486-1278 • [www.peavey.com](http://www.peavey.com)



80304605