

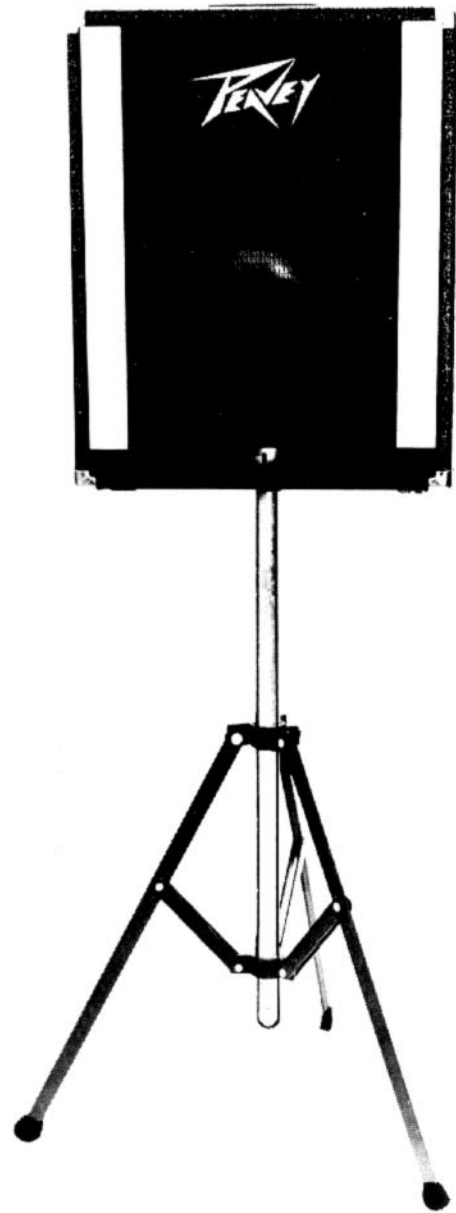
CONTINENTAL system



The Peavey Continental is a two-way vented system designed for high level sound reinforcement. The Continental system features a 15" Peavey Black Widow transducer and two horn loaded Piezo electrical tweeters. The Continental is a small, light weight, yet extremely efficient system designed for indoor and outdoor applications where space and mobility are prime considerations.

The Continental does not require expensive and efficiency **wasting equalization** in order to operate properly. Each unit is supplied with a telescopic mount cabinet flange for quick stand mounting. The cabinets are covered with a black textured coat for durability and long life in hostile environments.

The high efficiency, coupled with high power handling capabilities, make the Continental system an ideal choice for use when either high or low power requirements are indicated. The Peavey Continental was designed to provide high levels with very high efficiency in a small and easily portable enclosure.



SPECIFICATIONS

System Type

Two Way-Vented 4th Order Chebyshev

Frequency Response (F₃ - 66 Hz)

66 Hz - 20 kHz

Nominal Impedance

8 Ohms

Minimum Impedance

7.5 Ohms

Power Handling Capacity (Note 1)

150 Watts

Maximum Sound Pressure Level (Note 2)

(Full Rated Power, 10 Ft. on Axis) = 115 dB
(1 Watt, 1 Meter on Axis) = 103 dB

Efficiency (Half Space)

6.5%

System Enclosure Tuning

74 Hz

Woofers

Voice Coil DC Resistance

6.2 Ohms

Free Air Resonance

75 Hz

Total Q of Woofer @ Resonance

(Including All Electrical and Mechanical Losses) = .41

Compliance Equivalent Volume

82L (5003 cu. in.)

BL Product

(Flux Density x Length of Wire in Gap) = 18.8 w/m

Tweeter

Type

Piezo Element (PZT Crystal) Horn Loaded

Frequency Range

2.5 kHz - 20 kHz

Tweeter Beamwidth

(2.5 kHz) 134°

(4 kHz) 95°

(8 kHz) 58°

Note 1: EIA Specifications for Continuous Program Material or Filtered White Noise.

Note 2: Data Averaged From 100Hz to 800Hz.

ARCHITECTURAL SPECIFICATIONS

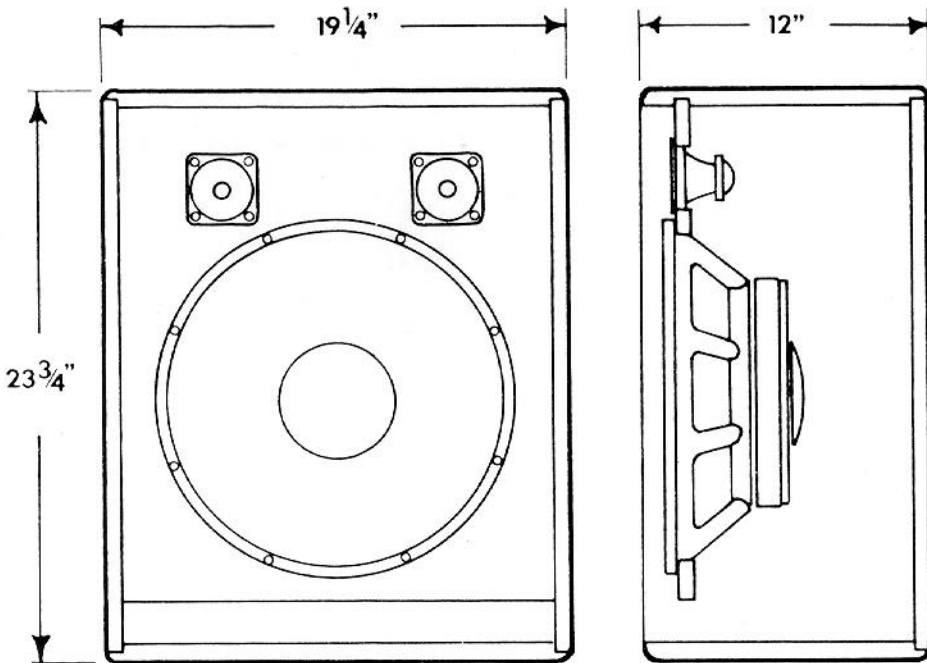


FIGURE 1

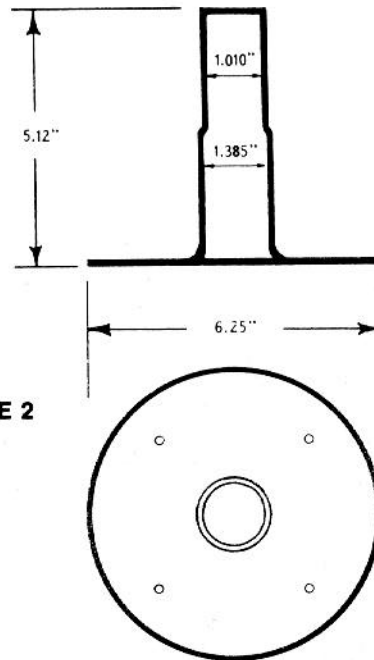


FIGURE 2

The Peavey Continental sound reinforcement/public address loudspeaker system shall have a nominal weight of 40 lbs. and be constructed of 3/4" premium materials. Each unit shall contain one (1) premium Peavey Black Widow transducer and two (2) horn loaded Piezo element tweeters. The nominal impedance shall be 8 Ohms and the frequency response shall be 64 Hz to 20 KHz.

The Peavey Continental shall have physical dimensions consistent with figure 1 of this publication and shall be equipped with a telescopic mount cabinet flange whose internal mating dimensions are consistent with figure 2 of this publication.

The Peavey Continental shall have a net internal volume of 59 liters and shall have a piston range frequency response characterized by a fourth order Chebyshev high pass filter.

Each Peavey Continental shall be manufactured to the exact standards of Peavey Electronics Corporation Design Engineering Group and Quality Control Group.



PEAVEY ELECTRONICS CORP.
711 A Street
Meridian, Mississippi 39301