

PEAVEY ELECTRONICS

Impulse® 1015 Sub

Add-On Weather-Resistant
Injection-Molded Subwoofer
Speaker System

SPECIFICATIONS

Enclosure:

Peavey Impulse® 1015 Subwoofer

Frequency Response:

Filtered:

50 Hz to 150 Hz

Unfiltered:

50 Hz to 2.8 kHz

Low Frequency Limit (-3 dB point):

50 Hz

Useable Low Frequency Limit (-10 dB point):

44 Hz

Power Handling:

Filtered:

2,000W peak
1,000W program

Unfiltered:

2,000W peak
1,000W program

Sound Pressure Level (1W @ 1m, swept-sine input in anechoic environment):

Filtered:

98 dB

Unfiltered:

101 dB (midrange level)

Maximum Sound Pressure Level:

Filtered:

125 dB

Unfiltered:

131 dB continuous

Transducer Complement:

Model 1508-4 SPS 15" Black Widow® woofer

Box Tuning Frequency:

44 Hz



Electroacoustic Crossover

Frequency (Filtered):

150 Hz

Crossover Slope:

12 dB/octave (2nd order) low pass,

Impedance (Nominal):

4 ohm

Impedance (Minimum):

3.35 ohm

Input Connections:

Filtered:

1/4" phone jack and 4-pin Neutrik®
Speakon® connector in parallel

Unfiltered:

4-pin Switching Neutrik® Speakon®

Enclosure Materials and Finish:

Injection-molded high-impact polypropylene of a nominal thickness of 1/4" and with textured finish

Mounting Provisions:



Stand mounting via molded-in mount, flying via Versamount® 70 (top or bottom of cabinet) and four rubber feet for floor use.

Dimensions (H x W x D):

Front:

28.562" x 21.312" x 17"

72.55 cm x 54.13 cm x 43.18 cm

Rear:

11.5" wide

29.21 cm

Net Weight: 52 lbs.

Shipping Weight: 59 lbs.(EST.)

Additional Remarks:

Specifications for Impulse 1015 and the Impulse 1015 Subwoofer system, sub-woofer used in add-on mode via filtered input

Frequency Response: 42 Hz to 18 kHz

Low Frequency Limit (-3 dB point):

42 Hz

Useable Low Frequency Limit

(-10 dB point):

37 Hz



Power Handling (System now 2.7 ohm):

1000W program
2000W peak

Impedance, Nominal:

3.7 ohms

Impedance, Minimum:

2.7 ohms

Features:

- 1000W program, filtered input
- HyperVent™ plus direct radiator design
- Add-on subwoofer with easy hookup
- 15" Black Widow 4 ohm woofer
- Compact, lightweight
- Low pass filtered input, unfiltered direct input
- Built-in carry handles
- Mounting points top and bottom
- Stand mount built-in

DESCRIPTION:

The Impulse 1015 Subwoofer is designed to be an add-on subwoofer for the Impulse 1015 or the Impulse 1012 full range speaker system. Simply run the normal full range signal to the Impulse 1015, then run either a 1/4" phone jack terminated cable, or a 4-pin Neutrik® terminated cable out from the second jack on the Impulse 1015 full range speaker system over to the Impulse 1015 Subwoofer, and jack into the "FILTERED INPUT" on the subwoofer. The ease and flexibility of adding on a subwoofer has never been easier! The system with both the Impulse 1015 full range system and Impulse 1015 Subwoofer is now a 3.7 ohm composite system, with a power handling of 1000 watts. Bass response has been extended to approx. 42 Hz, and the tonal balance of the composite system has been warmed up to the point where no bass boost is required.

For bi-amplification, use with an electronic crossover, just use the unfiltered 4-pin Neutrik® Speakon® input jack. This input is also useful for utilizing the Impulse 1015 Subwoofer as a compact, high-output drum monitor.

The Impulse 1015 Subwoofer is equipped with a Peavey Innovation called the HyperVent. This unique vent reduces the pipe organ resonance of the vent tube and allows a vent to seem longer in one dimension that it physically is. Because the open end of the vent is terminated acoustically, standing waves are reduced and the hollow sound of an ordinary vent is eliminated. Making the subwoofer harder to localize and placement is less critical.


The Peavey Impulse 1015 Subwoofer has a 15" model 1508-4 SPS Black Widow woofer in it, providing high-power, low bass response in a compact system package.


ARCHITECTURAL AND ENGINEERING SPECIFICATIONS:


The loudspeaker system shall have frequency response from 44 Hz to 150 Hz through the filtered inputs, and from 44 Hz to 2.8 kHz through the unfiltered inputs. The nominal impedance shall be 4 ohms. The continuous power handling through the filtered input shall be 500 watts, maximum program power of 1 000 watts and a peak power handling of 2000 watts, with a minimum amplifier headroom of 3 dB. The peak SPL with inaudible distortion, shall reach 125 dB through the filtered input, and 131 dB through the unfiltered input with music as a source, when measured at a distance of 1m and driven to full output capacity. The system shall utilize a 15" Black Widow 1508-4 SPS woofer.

The enclosure shall be constructed of injection-molded polypropylene of 1/4" nominal thickness and with a UL flame rating, and reinforcing ribs internally. A hand-grip shall be molded in on each side of the woofer on the top rear edge. A vinyl coated perforated metal grille shall be provided for woofer protection. The cabinet shall incorporate four tall, sturdy, rubber feet for floor standing use, and four mounting point inserts on the top and bottom each for flying use.

The enclosure shall incorporate a vent of the type known as HyperVent. The outside dimensions shall be 28.562" (72.55 cm) tall x 21.312" (54.13 cm) wide x 17" (43.18 cm) deep and 11.5" (29.21 cm) wide in rear. The weight shall be 52 lbs. The loudspeaker system shall be called a Peavey Model Impulse 1015 Subwoofer.

 **WARNING! When use of a stand is considered, the Peavey S-1™ stand is recommended. Other stands may not have a base sufficiently wide enough for stability and safety.**

 **CAUTION! For permanent installation, avoid direct cone exposure to sunlight and rain by tilting speaker down and use a splash shield on top.**

 **WARNING: Before attempting to suspend this speaker, consult a certified structural engineer. Speaker can fall from improper suspension, resulting in serious injury and property damage. Do not suspend or mount any product or device from this enclosure! Use only Grade 5 hardware or better. All associated rigging is the responsibility of others.**

THREE + TWO LIMITED WARRANTY

NOTE: For details, refer to the warranty statement. Copies of this statement may be obtained by contacting Peavey Electronics Corporation, P.O. Box 2898, Meridian, Mississippi 39302-2898.

Impulse® 1015 Subwoofer

Amplitude Response (1W 1m On-Axis)

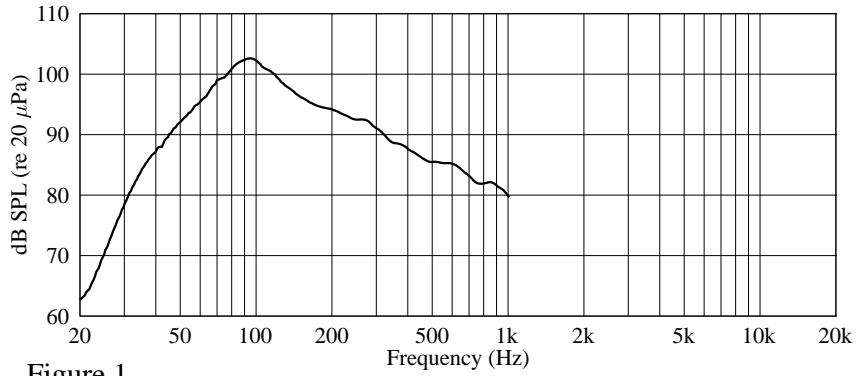


Figure 1

Impedance

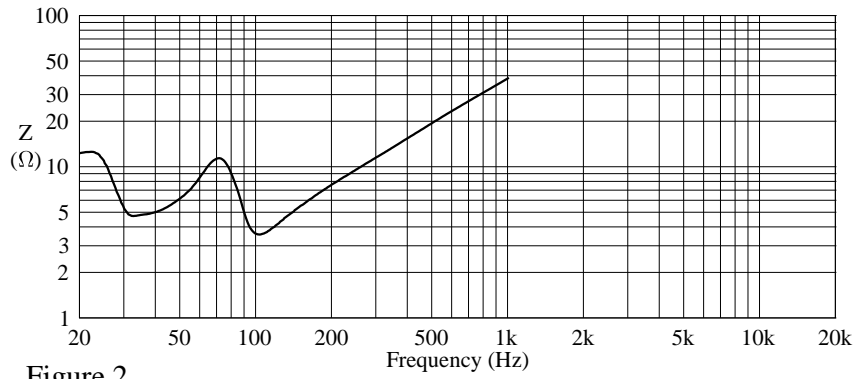


Figure 2

Impulse® 1015 Subwoofer

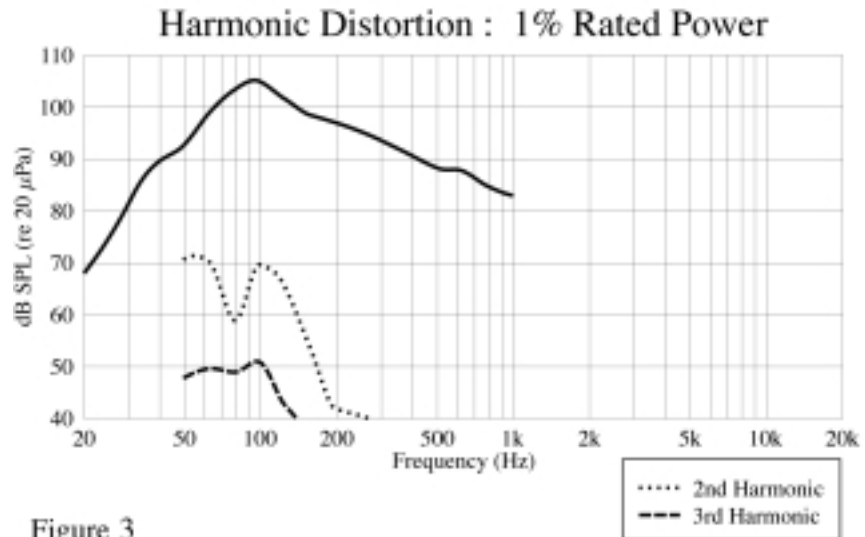


Figure 3

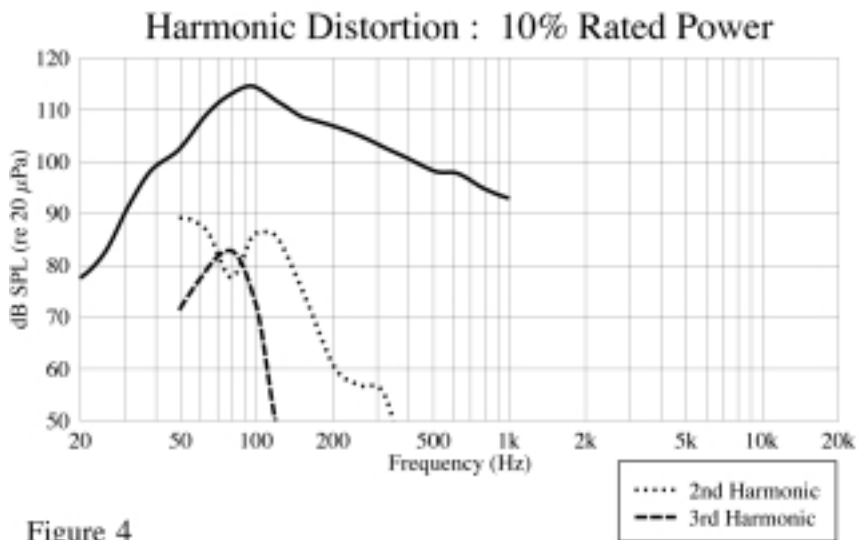


Figure 4

Impulse® 1015 and Impulse® 1015 Subwoofer

Subwoofer used in add-on mode

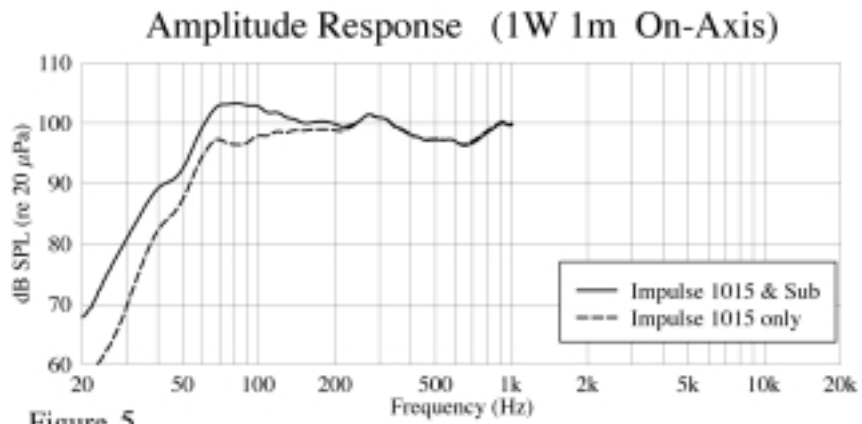


Figure 5

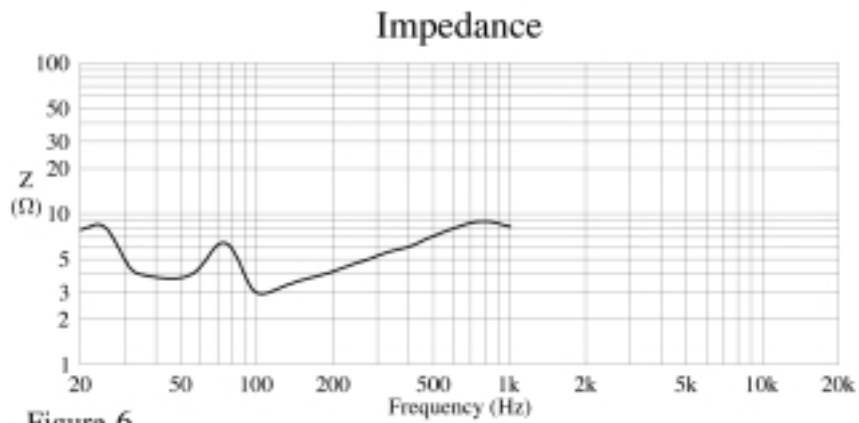
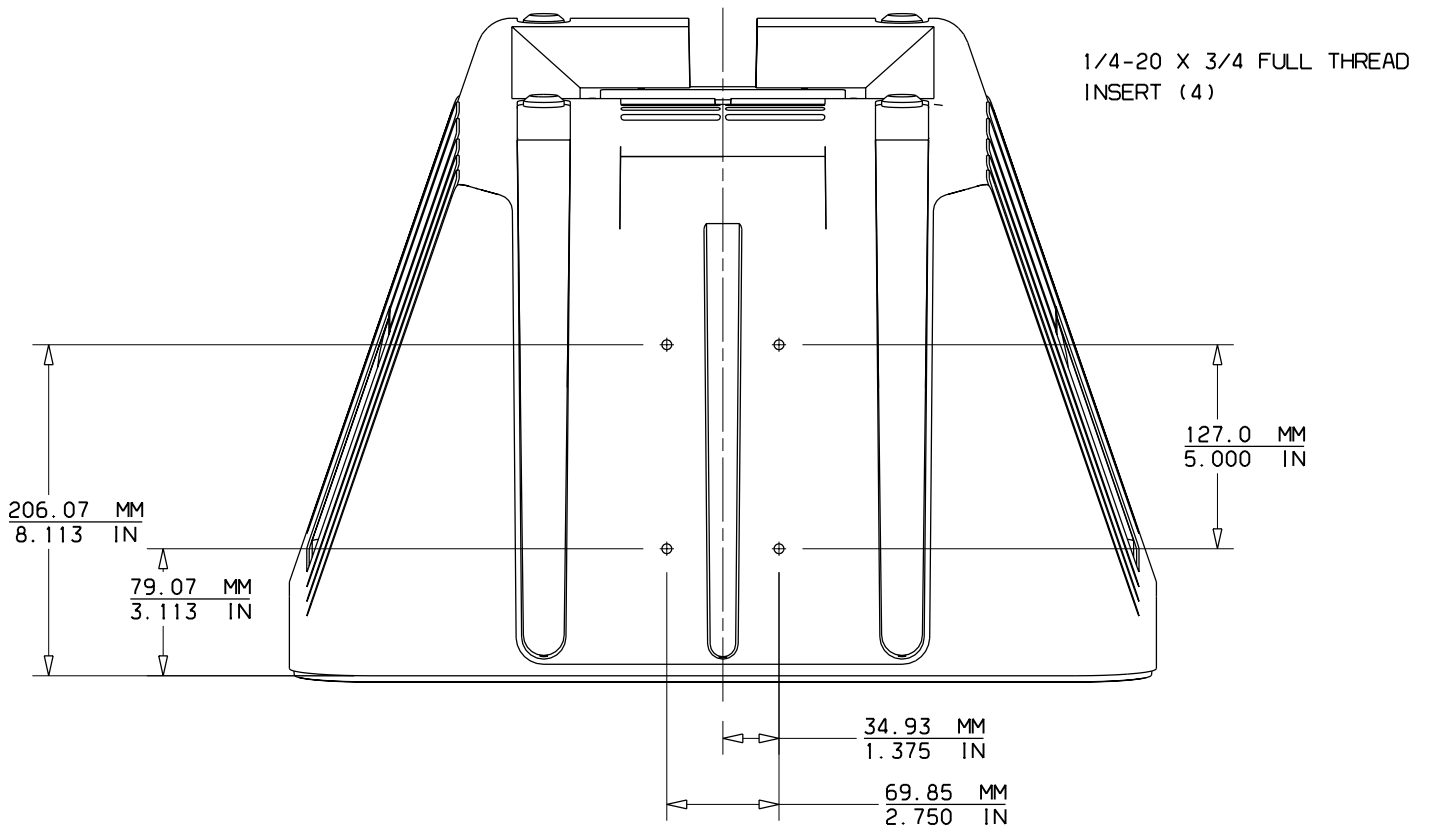


Figure 6

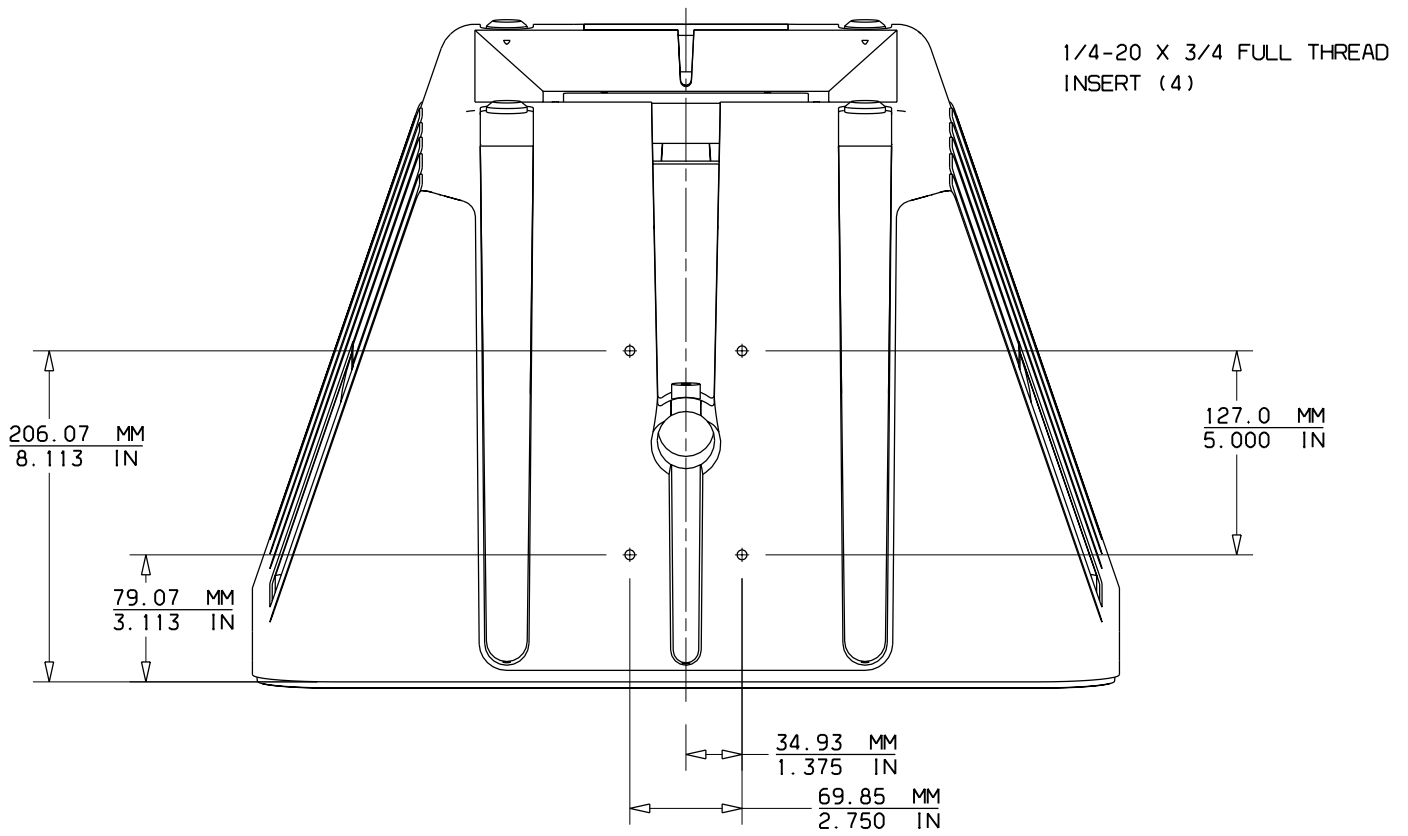
Impulse® 1015 Subwoofer

Top Mounting Dimensions



Impulse® 1015 Subwoofer

Bottom Mounting Dimensions





Features and specifications subject to change without notice.
Peavey Electronics Corporation • 711 A Street • Meridian • MS • 39301
(601) 483-5365 • FAX (601) 486-1278 • www.peavey.com

©2000



80304763

Printed in the U.S.A. 9/00