



### Description

The new SSE enclosure series features high power ratings with custom components, a sleek look and a unique, snap-in metal grille. The SSE 6 is a two-way system featuring the highly acclaimed Peavey 14XT titanium compression driver with a Sound Guard IV tweeter protection network and a maximum-performance 6.5" woofer. It is rated at 150 Watts program and 300 Watts peak. This lightweight speaker system is ideal for smaller venues where space is at a premium. Connections include a four-pin Neutrik® Speakon® or a paralleled two-position terminal block for additional cabinets. The SSE Series is available in black, white and natural finishes.

### Features:

- Two-way sound reinforcement enclosure
- Designed for permanent installation
- Premium 6.5" woofer
- Peavey 14XT™ titanium compression driver
- Sound Guard™ IV tweeter protection network
- Available in three finishes: black, white or natural
- Mounting point for VersaMount™ 35 bracket
- 150 Watts program/300 Watts peak power handling
- 100 Hz to 17 kHz
- 90 dB at 1W/1m
- 8 Ohms

### Frequency response, 1 meter on-axis, swept-sine in anechoic environment:

100 Hz to 17 kHz (±3 dB)

### Usable low frequency limit (-10 dB point):

80 Hz to 21 kHz

### Power handling:

Full Range:

150 W program

300 W peak

### Sound pressure level, 1 Watt, 1 meter in anechoic environment:

Full Range:

90.0 dB SPL (2.83 V input)

### Maximum sound pressure level (1 meter):

Full Range:

108.8 dB SPL continuous

114.8 dB SPL peak



## SANCTUARY SERIES™

### Radiation angle measured at -6 dB point of polar response:

500 Hz to 1.6 kHz:	
Horiz.	145° +/- 55°
Vert.	165° +/- 100°
1.6 kHz to 5 kHz:	
Horiz.	115° +/- 65°
Vert.	110° +/- 70°
5 kHz to 16 kHz:	
Horiz.	95° +/- 15°
Vert.	95° +/- 15°

### Directivity factor, Q (Mean):

5.93 +/- 3.06

### Directivity index, Di (Mean):

7.03 dB +/- 2.65 dB

### Transducer complement:

Low Frequency Section:  
one 6.5" premium Peavey woofer  
High Frequency Section:  
Peavey 14XT™ titanium diaphragm  
compression driver on a 90° H x 90° V  
conical horn

### Box tuning frequency:

Low Frequency Section:  
100 Hz

### Harmonic distortion:

1% rated power	
Second Harmonic:	
100 Hz:	0.54%
1 kHz:	0.25%
Third Harmonic:	
100 Hz:	1.97%
1 kHz:	0.46%
10% rated power	
Second Harmonic:	
100 Hz:	0.98%
1 kHz:	0.66%
Third Harmonic:	
100 Hz:	2.45%
1 kHz:	0.66%

### Crossover frequency (internal passive):

Low Frequency - High Frequency:  
2.4 kHz

### Impedance (Z):

Full Range:  
Nominal: 8.0 Ω  
Minimum: 8.5 Ω

### Input connection:

One four-pin Neutrik® Speakon® in parallel with one two-position terminal strip

### Enclosure materials & finish:

Trapezoidal, dado-joined 13 mm birch finished with a textured acrylic polyurethane, with a full-length metal grille covered with acoustical-grade grille cloth. Available in black, white or natural finishes.

### Mounting provisions:

(1) Mounting bracket and associated hardware for attaching to SSE 6. This bracket will allow for horizontal mounting to walls and ceilings.

(4) 1/4"-20 threaded mounting points on back to accommodate use of Versamount™ 35 adjustable mounting bracket.

### Dimensions (H x W x D):

Front:	16.41" x 9.95" x 9.47"
	417 mm x 253 mm x 240 mm
Rear:	16.41" x 5.23" x 9.47"
	417 mm x 133 mm x 240 mm

### Net weight:

21 lbs. (9.5 kg)

### Frequency response

This measurement is useful in determining how accurately a given unit reproduces an input signal. The frequency response of the SSE 6 is measured at a distance of 1-meter using a 1 Watt (into the nominal impedance) swept-sine input signal. As shown in figure 1, the selected drivers in the SSE 6 combine to give a smooth frequency response from 100 Hz to 17 kHz.

### Directivity

Beamwidth is derived from the -6 dB points from the polar plots (see figure 3), which are measured in a whole-space anechoic environment. Q and Directivity Index are plotted for the on-axis measurement position. These specifications provide a reference to the coverage characteristics of the unit and provide insight into proper placement and installation in the chosen environment. The blending of the components of the SSE 6 exhibit a desirable beamwidth and directivity (figures 3 & 4) suitable for sound reinforcement applications.

### Power handling

There are many different approaches to power handling ratings. Peavey rates this loudspeaker system's power handling using a full-range form of the AES Standard 2-1984. Using audio band 20 Hz to 20 kHz pink noise with peaks of four times the RMS level, this strenuous test signal assures the user that every portion of this system can withstand today's high technology music. This rating is contingent upon having a minimum of 3 dB available amplifier headroom.

### Harmonic distortion

Second and third harmonic distortions vs. frequency are plotted in figures 5 & 6 for two power levels. Ten percent (10%) of rated input power and either one percent (1%) of rated input power or 1 Watt, whichever is greater. Distortion is read from the graph as the difference between the fundamental signal (frequency response) and the desired harmonic. As an example, a distortion curve that is down 40 dB from the fundamental is equivalent to 1% distortion.

### Mounting

**Caution:** Before attempting to mount this speaker, consult a certified structural engineer. The speaker may fall due to improper installation, resulting in serious injury and property damage. DO NOT suspend or mount any other product or device from this SSE 6 enclosure. The maximum enclosure angle 45°. Use only Grade 5 hardware or better. All associated rigging is the responsibility of others.

### Architectural & engineering specifications

The loudspeaker system shall have an operating bandwidth of 100 Hz to 17 kHz. The nominal output level shall be 90.0 dB when measured at a distance of 1 meter with an input of 1 Watt. The nominal impedance shall be 8.0 ohms. The maximum continuous power handling shall be 75 Watts, with maximum program power of 150 Watts, a peak power input of at least 300 Watts and a minimum amplifier headroom of 3 dB. The nominal radiation geometry shall be 120 degrees in the horizontal plane and 130 degrees in the vertical plane. The outside dimensions shall be 16.41 inches high by 9.95 inches wide by 9.47 inches deep. The weight shall be 21 lbs. The loudspeaker system shall be a model SSE 6.

### 3 + 2 YEAR LIMITED WARRANTY

**NOTE:** For details, refer to the warranty statement. Copies of this statement may be obtained by contacting Peavey Electronics Corporation, P.O. Box 2898, Meridian, Mississippi 39301-2898.

Amplitude Response (1W 1m On-Axis)

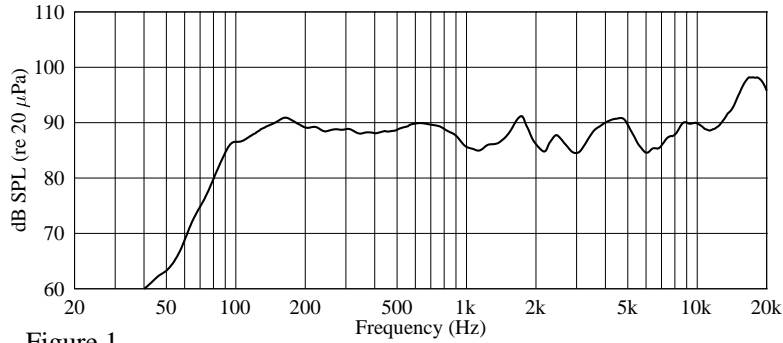


Figure 1

Impedance

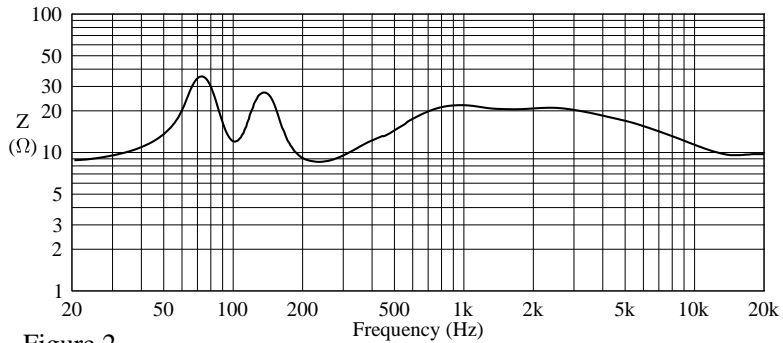


Figure 2

Beamwidth

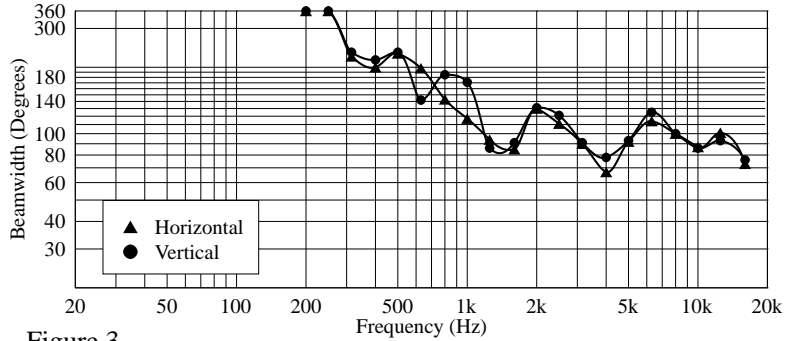


Figure 3

Q & Directivity Index

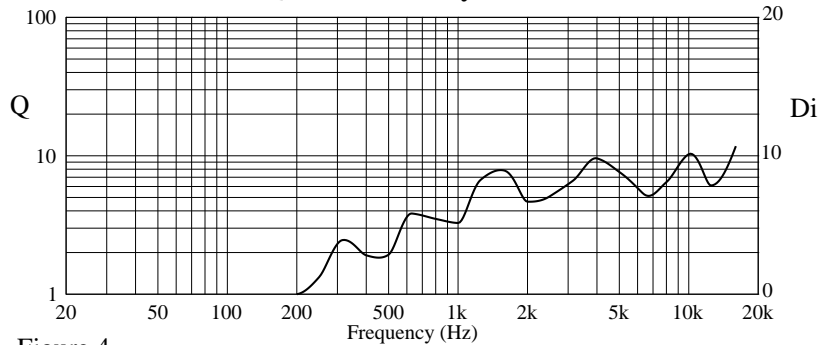


Figure 4

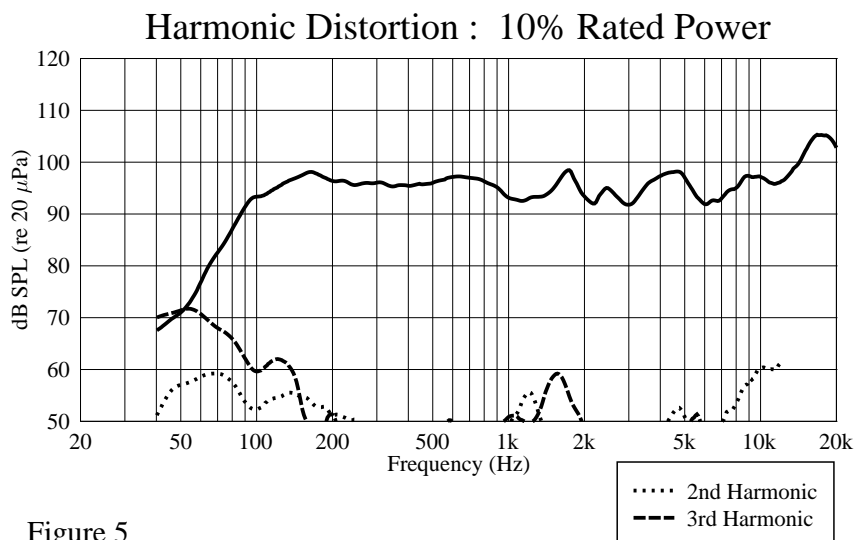


Figure 5

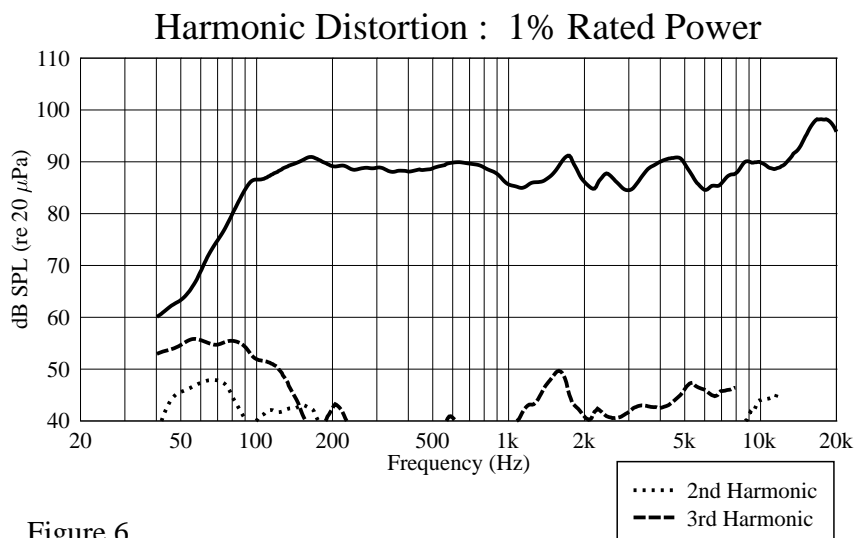
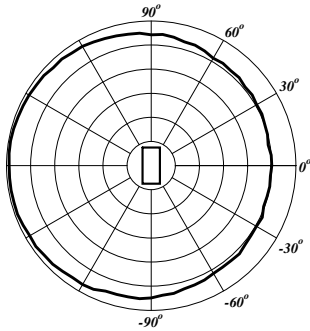
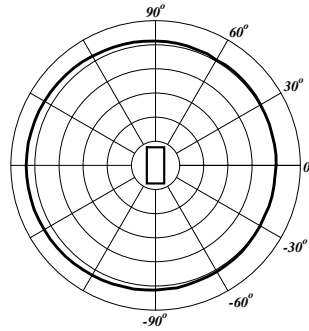


Figure 6

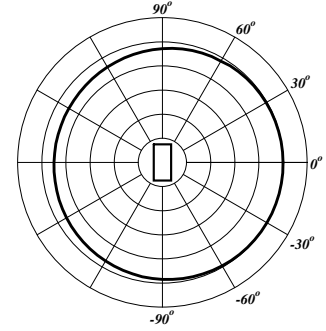
**Vertical Polar Patterns 6 dB per Division**



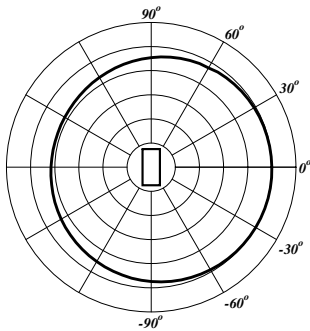
50 Hz



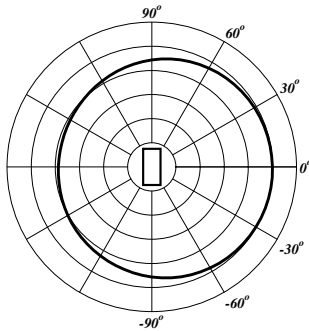
63 Hz



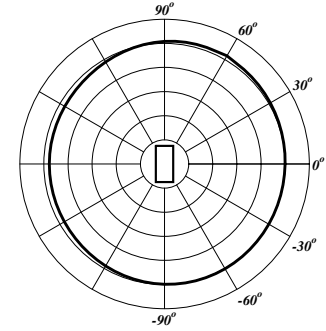
80 Hz



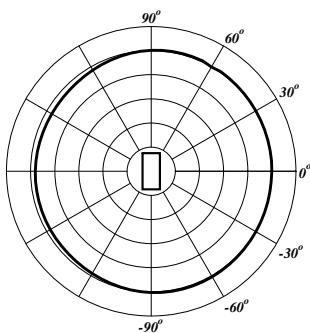
100 Hz



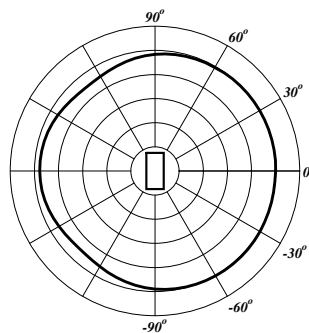
125 Hz



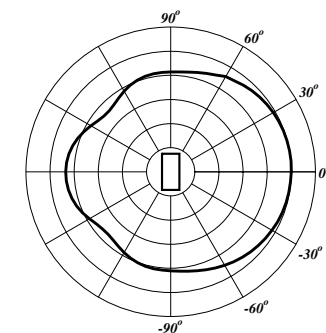
160 Hz



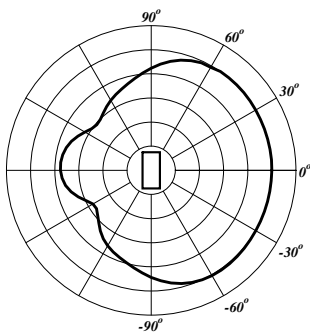
200 Hz



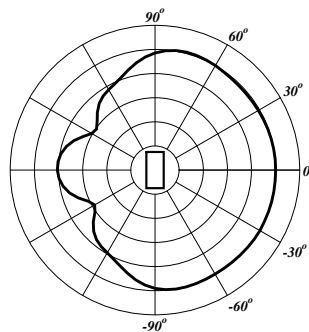
250 Hz



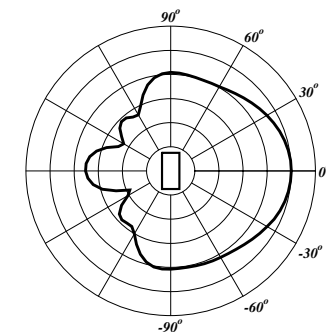
315 Hz



400 Hz



500 Hz

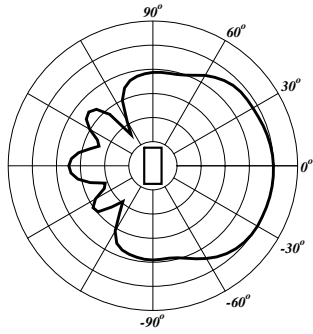


630 Hz

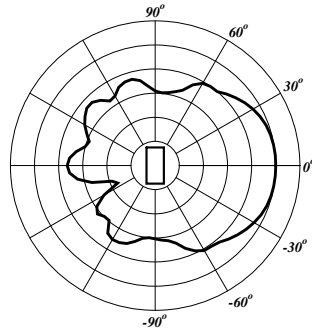


**SANCTUARY SERIES™**

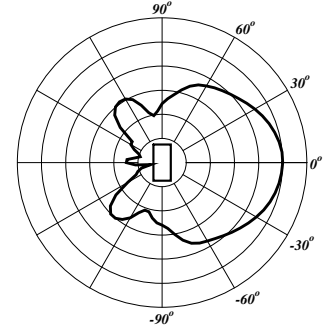
**Vertical Polar Patterns 6 dB per Division**



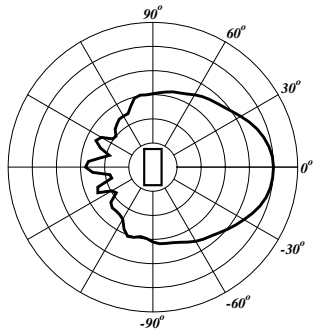
800 Hz



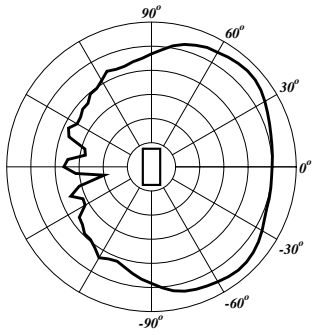
1 kHz



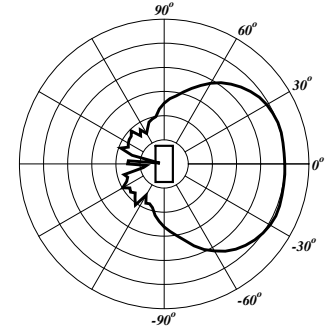
1.25 kHz



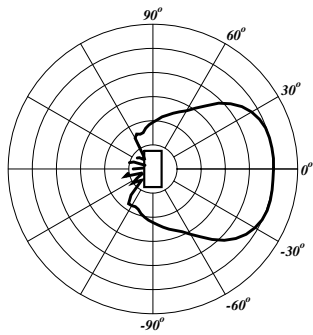
1.6 kHz



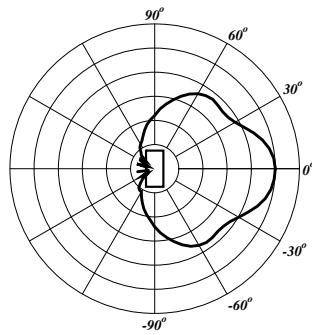
2 kHz



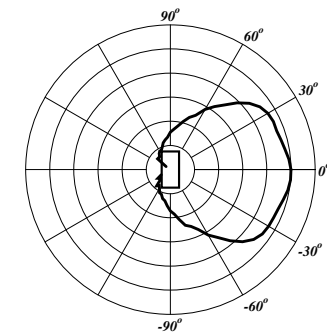
2.5 kHz



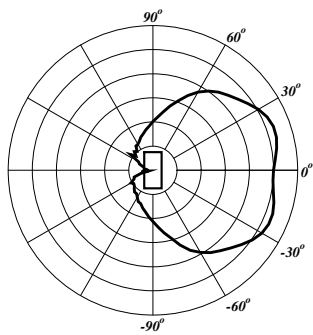
3.15 kHz



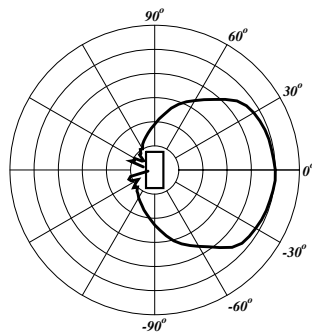
4 kHz



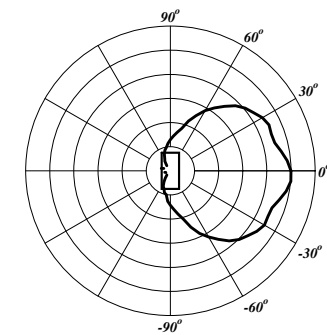
5 kHz



6.3 kHz

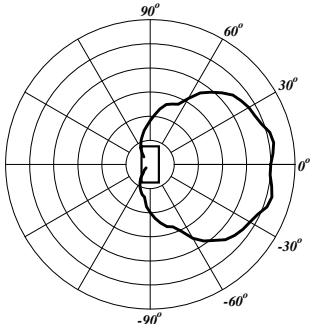


8 kHz

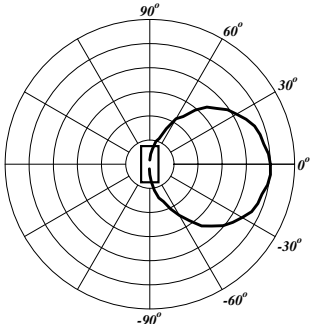


10 kHz

Vertical Polar Patterns 6 dB per Division



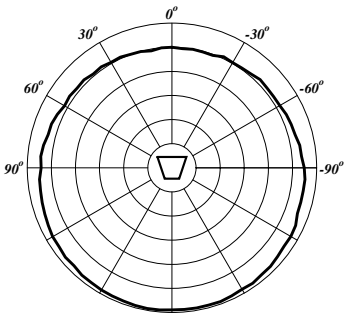
12.5 kHz



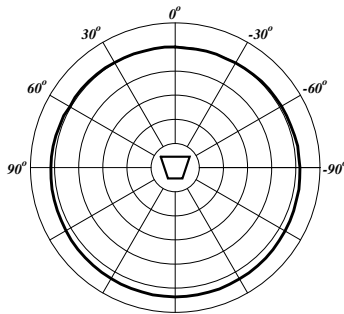
16 kHz



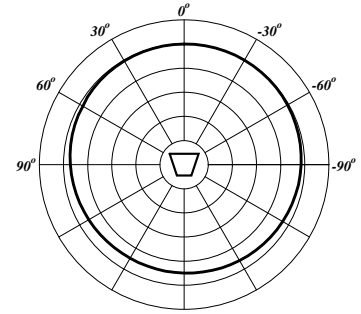
**Horizontal Polar Patterns 6 dB per Division**



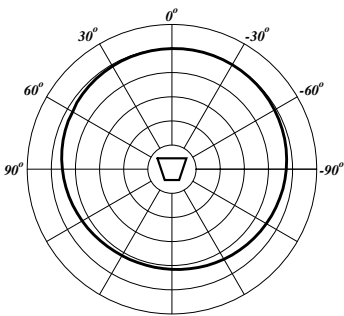
50 Hz



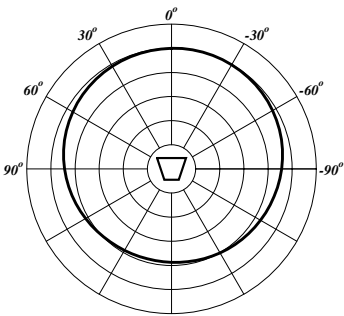
63 Hz



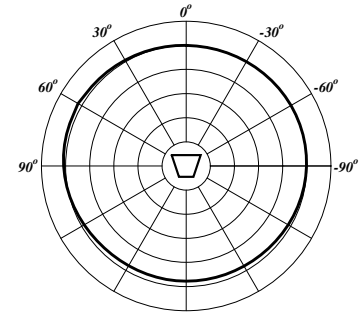
80 Hz



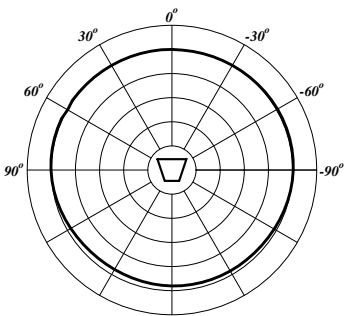
100 Hz



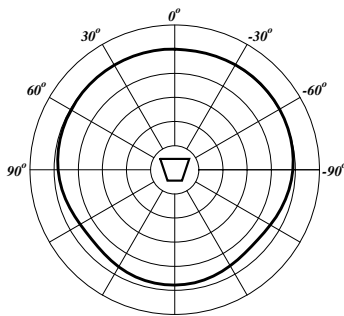
125 Hz



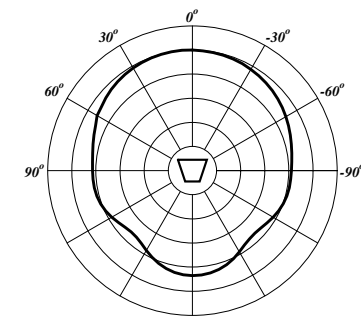
160 Hz



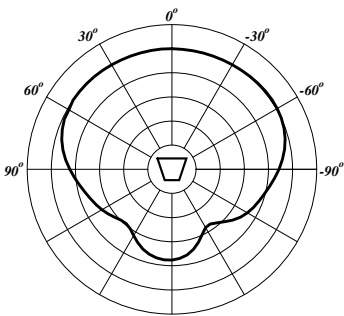
200 Hz



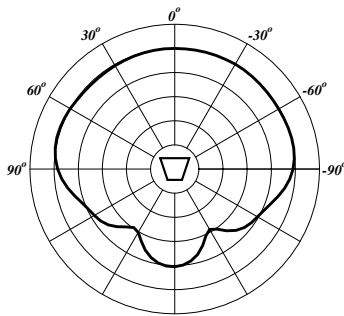
250 Hz



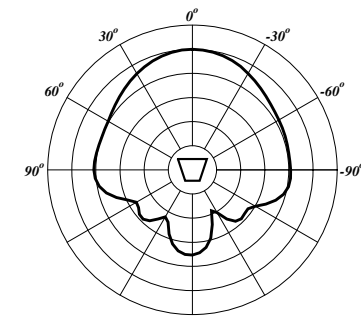
315 Hz



400 Hz



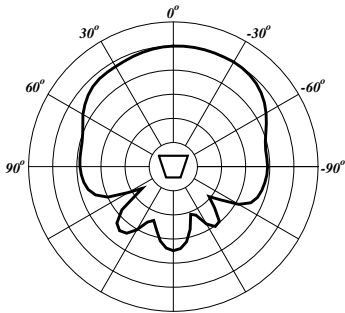
500 Hz



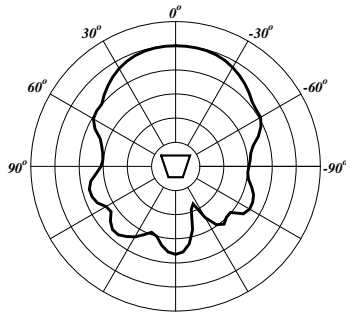
630 Hz



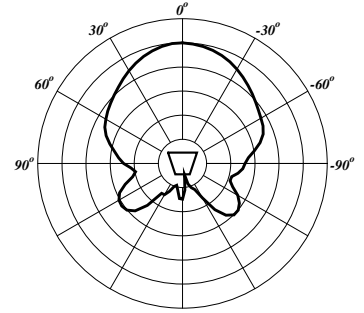
**Horizontal Polar Patterns 6 dB per Division**



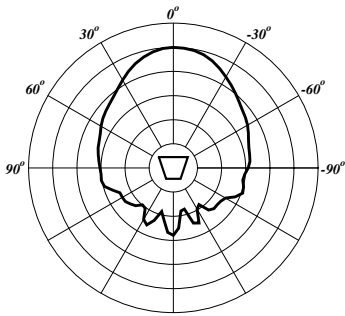
800 Hz



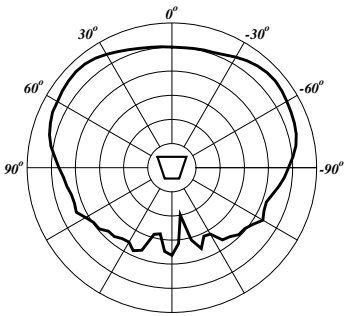
1 kHz



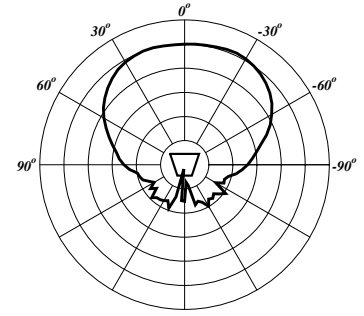
1.25 kHz



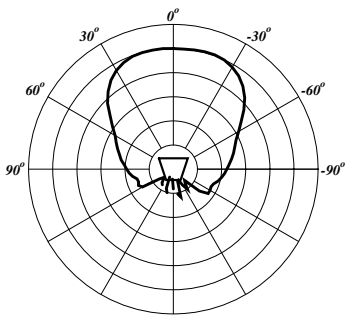
1.6 kHz



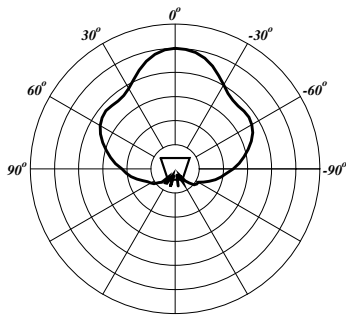
2 kHz



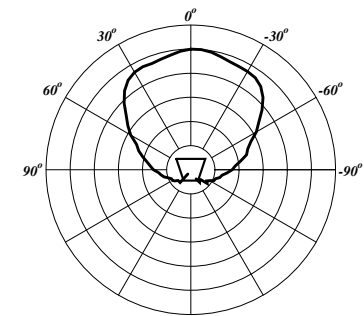
2.5 kHz



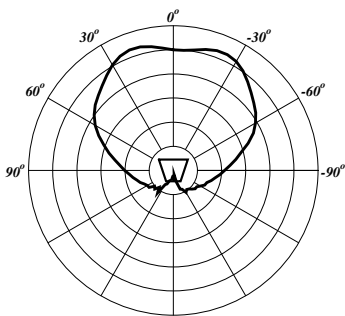
3.15 kHz



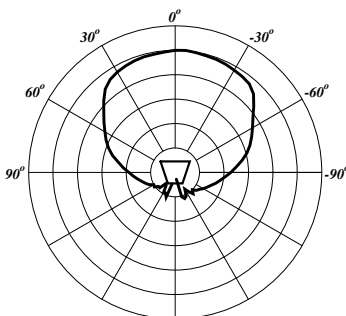
4 kHz



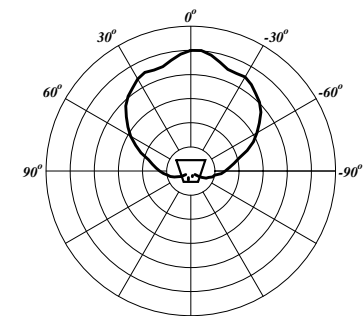
5 kHz



6.3 kHz



8 kHz

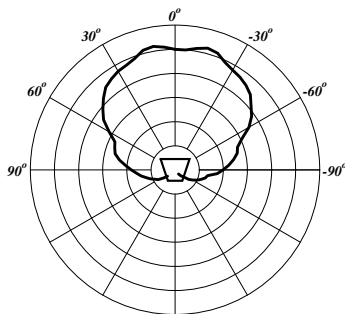


10 kHz

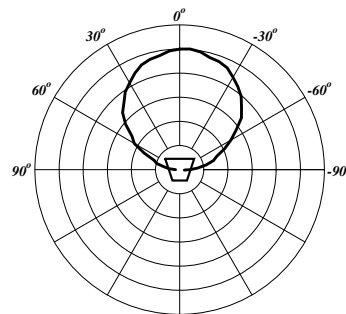


# SANCTUARY SERIES™

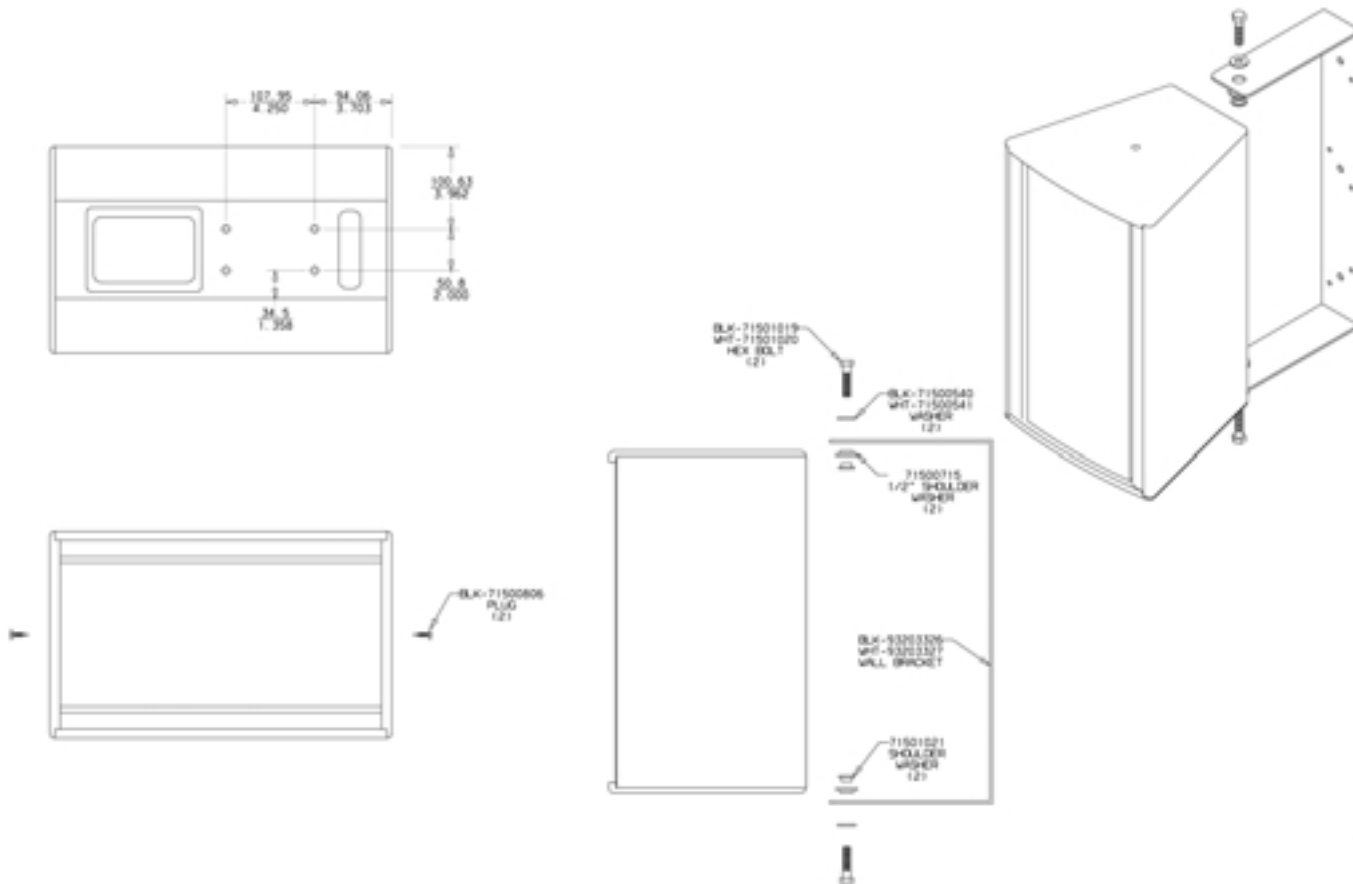
## Horizontal Polar Patterns 6 dB per Division




12.5 kHz



16 kHz




**Input Plate**

 **PEAVEY**  
**SANCTUARY SERIES™**  
sanctuary-series.com  
**SSE 6**  
DESIGNED AND  
MADE IN USA

IMPEDANCE:  
**8 OHMS**  
WEIGHT:  
**21 lbs./9.5 kg**  
MAX POWER:  
**150W PROGRAM**

**PIN 1 + (+) POS.**  
**PIN 1 - (-) NEG.**

**DANGER:** BEFORE ATTEMPTING TO SUSPEND THIS SPEAKER CONSULT A CERTIFIED STRUCTURAL ENGINEER. SPEAKER CAN FALL FROM IMPROPER SUSPENSION, RESULTING IN SERIOUS INJURY AND PROPERTY DAMAGE. DO NOT SUSPEND OR MOUNT ANY OTHER PRODUCT OR DEVICE FROM THIS ENCLOSURE! USE ONLY GRADE 5 HARDWARE OR BETTER.

**8Ω**  **CE**

**+** **-**  
**FULL RANGE INPUTS**

**HF DRIVER PROTECTED BY SOUNDGUARD™ IV**  
A PRODUCT OF PEAVEY ELECTRONICS

**WARNING:** THIS SPEAKER SYSTEM CAN PERMANENTLY DAMAGE HEARING! USE EXTREME CARE SETTING MAXIMUM LOUDNESS.



**SANCTUARY SERIES™**

[www.sanctuary-series.com](http://www.sanctuary-series.com)

80305313

Features and specifications subject to change without notice.